



G002888

Repeater M 4.3

Part no. 5100096-20A

System: Salwico Cargo, Salwico Cruise, Salwico LNG, Salwico Offshore, Salwico Ro/Pax, Salwico Workboat, Salwico Yacht, Salwico Navy, OEM Extinguish

General Description

The Repeater M 4.3 is a repeater panel with a 4.3" graphical colour display used to indicate system status for fire alarms, faults and disablements. Repeater M 4.3 can be mounted on any flat surface or flush mounted, independently from a fire alarm cabinet.

Repeater M 4.3 is equipped with communication buses for connecting to the system, and it provides the following features:


- A backlit 4.3" graphical colour display
- Alarm buzzer
- LED status indicators
- Backbone Bus / Extension Bus interface
- USB interface
- Two inputs and three outputs

Refer to the User Guide for more information on operating Repeater M 4.3.

For details on assembling a system and definitions of common system terms, refer to the Installation Manual.

Data

Operating voltage range	19-30 VDC
Current consumption (at 24V)	92 mA
Ingress protection	IP55
Operating temperature range	-5°C to +55°C

Weight	620 g
Display	4.3", 480×272 pixels, TFT
USB port	USB 1.1 Embedded Host
Input	24 VDC, digital
Output	24 VDC sinking, max. 40 mA
SD Memory	(Optional)
Certified according to	 2531/yy yy = year of production

Indicators

Refer to the User Guide for more information.

Hot-Swap Replacement of the Module

Replace this module following these steps:

1. Remove all cable connections from the module.
2. If installed, move Micro SD memory from the old module to the new module.
3. Plug back all cable connections.
4. Address the module following the instructions under Addressing.

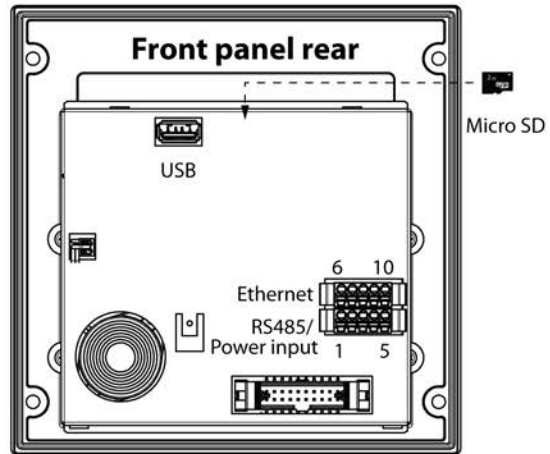
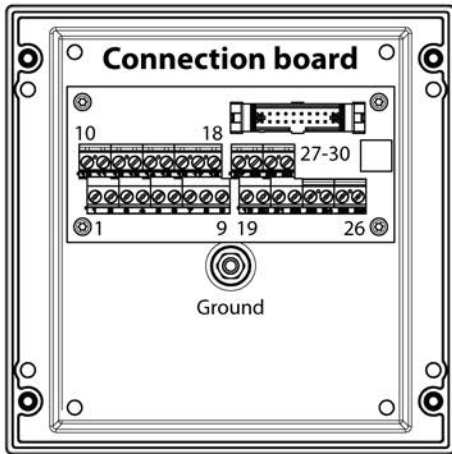
Connections

Connect the Repeater M 4.3 to BBE or to Extension Bus.



NOTE!

See figure below for connection alternatives; i.e. Connection board or Front panel rear:



CONNECTION BOARD

		NMEA INPUT Not used	A B	30
IN	2	INPUT	(24V) -	28
			+	27
OUT	3	OUTPUT	24V 40mA -	26
			+	25
	2	OUTPUT	24V 40mA -	24
			+	23
	1	OUTPUT	24V 40mA -	22
			+	21
IN	1	INPUT	(24V) -	20
			+	19
BBE_OUT	2	SIGNAL GROUND, BBE OUT	SG	18
	1	POWER SUPPLY BBE2, OUT - 24VDC	V-	17
				V+
	2	POWER SUPPLY BBE1, OUT - 24VDC	V-	15
				V+
	1	BBE2 OUT - RS485	D-	13
				D+
	2	BBE1 / EXTENSION BUS OUT - RS485	D-	11
			D+	10
BBE_IN	2	SIGNAL GROUND, BBE IN	SG	9
	1	POWER SUPPLY BBE2, IN - 24VDC	V-	8
				V+
	2	POWER SUPPLY BBE1, IN - 24VDC	V-	6
				V+
	1	BBE2 IN - RS485	D-	4
				D+
	2	BBE1 / EXTENSION BUS IN - RS485	D-	2
			D+	1

FRONT PANEL REAR

ETHERNET	ETHERNET Tx	Tx-	10
	Not used	Tx+	9
	ETHERNET Rx	Rx-	8
	Not used	Rx+	7
GROUND, ETHERNET		G	6
RS485	POWER INPUT 24VDC	V+	5
		V-	4
	EXTENSION BUS RS485	D+	3
		D-	2
SIGNAL GROUND, RS485		SG	1

G002889

BBE = Backbone Bus External

RS485 Termination

For RS485 Termination the built-in terminator (120 ohm) can be activated with the RS485 DIP switch located on the rear of the front panel.

For recommendations and examples on RS485 Termination, refer to the Installation Manual.

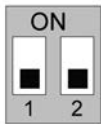
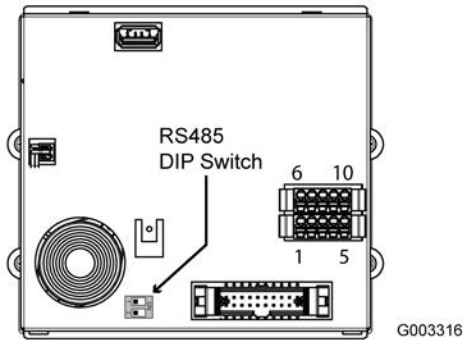
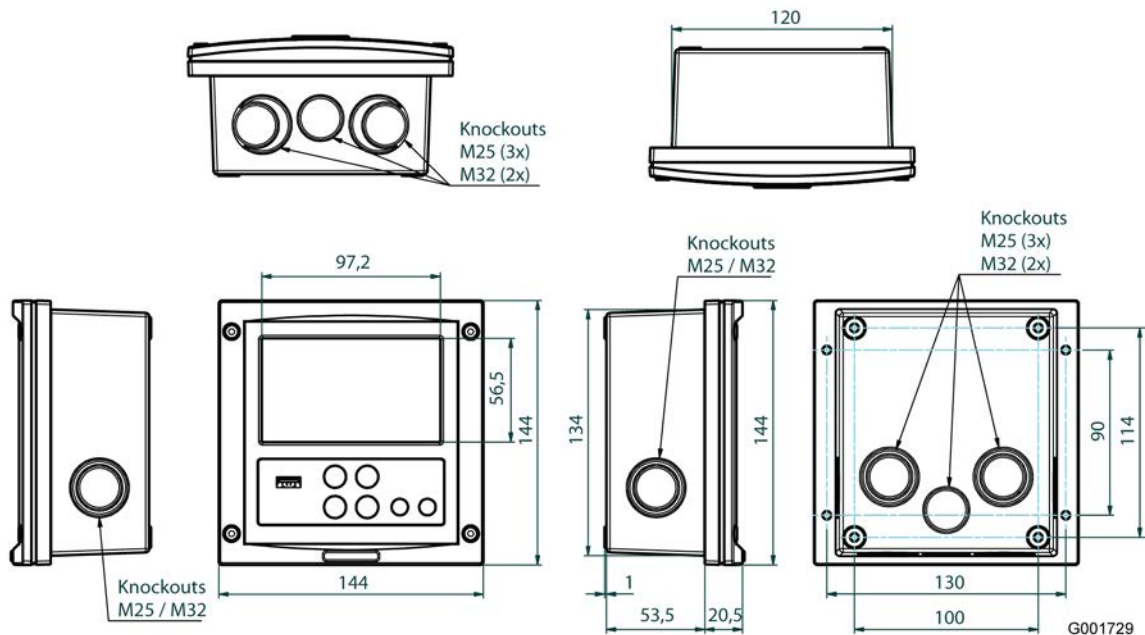


Table 1. DIP switch for RS485 Termination

DIP Switch No.	Description	ON	OFF
1	BBE1	Active	Deactivated
2	BBE2	Active	Deactivated

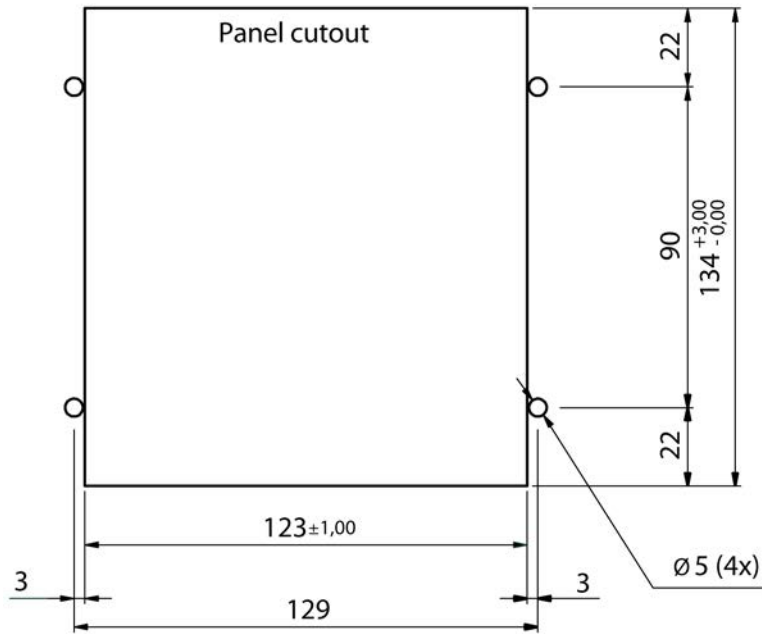
Module Dimensions (mm)



Addressing

- 1 Press both arrow keys + to open the Enter Access Code menu. Approximate 4-5 seconds.
 - 1.1 Use the arrow keys to scroll and select the digits for the Access Code.
 - 1.2 Confirm with the Local Mute button (= Next digit or Enter).
- 2 Proceed to choose address and layout for the Repeater module:
 - Enter Central Address
 - Enter Module Address
 - Enter Layout
 - 2.1 Reboot the Repeater module (it will take the module about 20 seconds to restart).
 - 2.2 For all menu alternatives use the arrow keys to scroll and select. Confirm with the Local Mute button.
 - 2.3 Follow the instructions on the lower part of the screen.

Mounting Dimensions (mm)



G001730