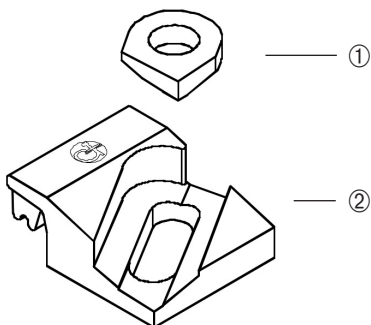


* For mounting on concrete + metallic plate, please contact us.

CLIPS	B	C max	D	Tightening torque (Nm)			Est'd weight kg
				4.6	5.6	8.8	
	mm						
3124/20/38/N	23	38	38				0,900
3124/20/42/N	25	42	40	250	300	660	1,000
3124/20/53/N	37	53	52				1,400
Admissible side load (kN)				50	60	125	

N : nose height, not compressed, adapted to the rail type (see table overleaf).

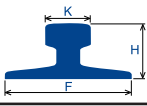
SUB-PARTS



Full designation	Components
3124/20/38/N or 3124/20/42/N or 3124/20/53/N	① 1x 3124/R ② 1x 003124/20/38/N or 003124/20/42/N or 003124/20/53/N

For further anti-corrosion coating :
See leaflet "Patented bolttable clips".

3124/20

CLIP SELECTION FOR EACH RAIL						
	F mm	K mm	H mm	Weigh kg/m	Mounting	
					With	Without
					Pad	
A 100	200.0	100.0	95.0	74.30	3124/20/38/13	3124/20/38/18
A 120	220.0	120.0	105.0	100.00	3124/20/42/13	3124/20/38/18
A 150	220.0	150.0	150.0	150.30	3124/20/42/13	3124/20/38/15
S 54	125.0	67.0	154.0	54.54	3124/20/42/15	3124/20/38/18
S 64	150.0	74.0	172.0	64.92	3124/20/42/15	3124/20/38/18
UIC 54	140.0	70.0	159.0	54.43	3124/20/38/15	-
UIC 60	150.0	72.0	172.0	60.34	3124/20/38/13	-
CFFIV (SBBIV, UIC 54 E)	125.0	67.0	161.0	53.81	3124/20/42/15	-
MRS 87 A (PRI 85 R)	152.4	101.6	152.4	86.80	3124/20/42/13	3124/20/38/15
MRS 87 B (175 CR)	152.4	102.4	152.4	86.80	3124/20/42/13	3124/20/38/18
MRS 125	180.0	120.0	180.0	125.00	3124/20/53/18	3124/20/42/13

For rail sections other than those listed on this page, please contact us.

We reserve the right to discontinue or change specifications or design at any time without prior notice and without incurring any obligation whatsoever.


GANTREX GmbH

Hirzenrott 10 – D 52076 Aachen • Tel. +49 (0)2408 9454-0 • Fax +49 (0) 2408 9454-28

 E-mail : info@de.gantry.com • <http://www.gantrex.de>