

Safety-Valve, springloaded

for steam, gases and liquids

Typ 10

Standard version:

| Material: | | | Temperature ranges | |
|--|--------|----------------------------------|----------------------------|--|
| Inlet body | / | Spring bonnet | metal seated | |
| Typ 10.1: | 1.4104 | / 0.7043 | -10°C to 280°C | |
| Typ 10.2: | 1.4571 | / 1.4581 | -60°C to 280°C | |
| Typ 10.7: | 1.4571 | / 1.4308 <i>only with head C</i> | -200°C to 280°C | |
| Connections: | | | soft seated | |
| Screwed connection: DIN ISO 228 / ASME B1.20.1 | | | see techn. appendix: KWD-1 | |

Approvals:

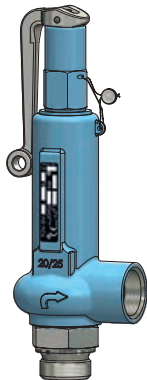
Pressure Equipment Directive: 97/23/EG
Declaration of Conformity



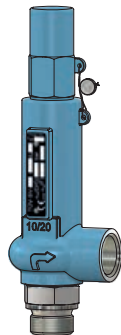
TÜV - Approval:

VdTÜV-leaflet AD 2000-leaflet A 2

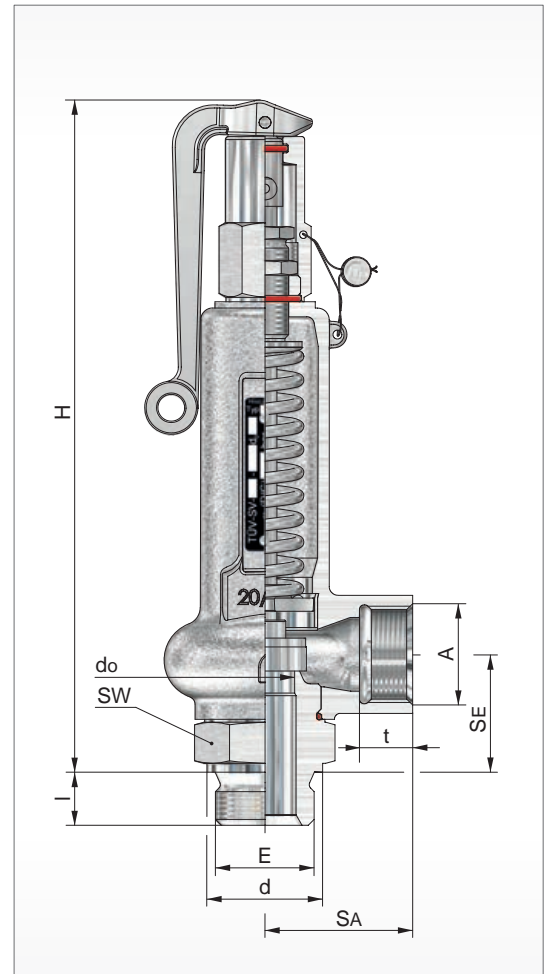
TÜV • SV • XX-847 / 878 • do • D/G/F • α_w • p



Size II
head A



Size I
head C



| Size | Inlet | | | | | Outlet | | | | Dimensions | | Height 'H' for head | | Coefficient | | Set pressure | | Weight ~ [kg] | |
|-------|-------|------|------|-------|---------|--------|------|-------|---------|------------|-----------------|---------------------|------|----------------------------|---------------------|--------------------|--------------------|------------------|-----|
| | E | SE | d | l (G) | l (NPT) | A | SA | t (G) | t (NPT) | SW | do | A | C | D/G α _w max. | F α _w | p min. [bar(g)] | p max. [bar(g)] | | |
| | [mm] | [mm] | [mm] | [mm] | [mm] | [mm] | [mm] | [mm] | [mm] | [mm] | [mm] | [mm] | [mm] | | | [bar(g)] | [bar(g)] | | |
| I | 3/8 | 34 | 22 | 12 | 11 | 1/2 | 40 | 14 | 14 | 32 | 10 | 200 | 185 | 0,38 | 0,30 | 0,10 | 140 | 1,0 | |
| | | | | | | | | | | | | | | 0,42 | 0,30 | 3,00 | 250 | | |
| | | | | | | | | | | | | | | 0,27 | 0,20 | 0,10 | 70 | | |
| | | | | | | | | | | | | | | 0,38 | 0,30 | 0,10 | 140 | | |
| | | | | | | | | | | | | | | 0,42 | 0,30 | 3,00 | 250 | | |
| | | | | | | | | | | | | | | 0,61 | - | 120 | 500 | | |
| | 1/2 | 34 | 26 | 14 | 14 | 3/4 | 40 | 17 | 15 | 32 | 8 ²⁾ | 10 | 200 | 185 | 0,13 | 0,11 | 0,05 | 40 | 1,0 |
| | | | | | | | | | | | | | | | 0,27 | 0,20 | 0,10 | 70 | |
| | | | | | | | | | | | | | | | 0,38 | 0,30 | 0,10 | 140 | |
| | | | | | | | | | | | | | | | 0,42 | 0,30 | 3,00 | 250 | |
| | | | | | | | | | | | | | | | 0,61 | - | 120 | 500 | |
| | | | | | | | | | | | | | | | 0,13 | 0,11 | 0,05 | 40 | |
| II | 1/2 | 40 | 26 | 14 | 14 | 1 | 50 | 18 | 17 | 41 | 12,5 | 230 | 215 | 0,37 | 0,29 | 0,10 | 70 | 1,6 | |
| | | | | | | | | | | | | | | 0,29 | 0,23 | 0,10 | 32 | | |
| | | | | | | | | | | | | | | 0,37 | 0,29 | 0,10 | 70 | | |
| | | | | | | | | | | | | | | 0,11 | 0,08 | 0,10 | 20 | | |
| | | | | | | | | | | | | | | 0,29 | 0,23 | 0,10 | 32 | | |
| | | | | | | | | | | | | | | 0,37 | 0,29 | 0,10 | 70 | | |
| | 3/4 | 40 | 32 | 16 | 14 | 1 | 50 | 18 | 17 | 41 | 12,5 | 230 | 215 | 215 | 0,11 | 0,08 | 0,10 | 20 | 1,8 |
| | | | | | | | | | | | | | | | 0,29 | 0,23 | 0,10 | 32 | |
| | | | | | | | | | | | | | | | 0,37 | 0,29 | 0,10 | 70 | |
| | | | | | | | | | | | | | | | 0,11 | 0,08 | 0,10 | 20 | |
| | | | | | | | | | | | | | | | 0,29 | 0,23 | 0,10 | 32 | |
| | | | | | | | | | | | | | | | 0,37 | 0,29 | 0,10 | 70 | |
| 1 1/4 | 40 | 49 | 20 | 18 | 1 | 50 | 18 | 17 | 50 | 20 | 230 | 215 | 215 | 0,29 | 0,23 | 0,10 | 32 | 1,8 | |
| | | | | | | | | | | | | | | 0,11 | 0,08 | 0,10 | 20 | | |
| | | | | | | | | | | | | | | 0,29 | 0,23 | 0,10 | 32 | | |
| | | | | | | | | | | | | | | 0,37 | 0,29 | 0,10 | 70 | | |
| | | | | | | | | | | | | | | 0,11 | 0,08 | 0,10 | 20 | | |
| | | | | | | | | | | | | | | 0,29 | 0,23 | 0,10 | 32 | | |

other design on request

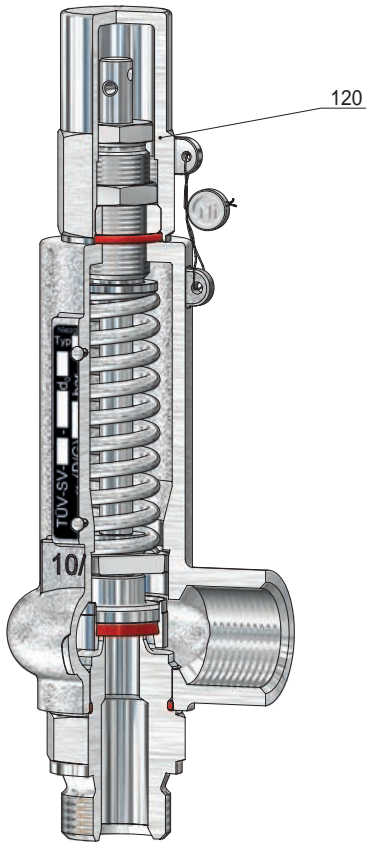
¹⁾ not in type 10.1

²⁾ type 10.1 to 200 bar(g)

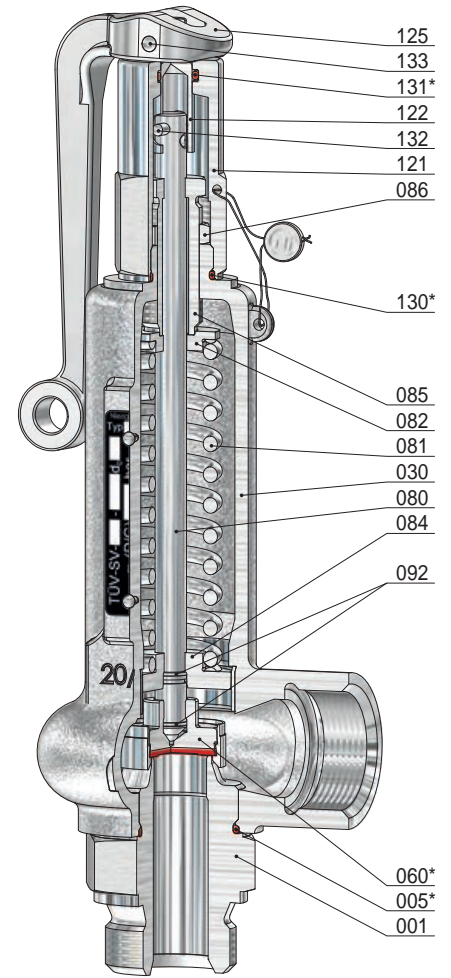
Safety-Valve, springloaded

for steam, gases and liquids

Typ 10



Size I
head C



Size II
head A

| Item | Piece | Description | Item | Piece | Description |
|-------|-------|--------------------|-------|-------|----------------|
| 001 | 1 | inlet body | 120 | 1 | cap |
| 005 * | 1 | o-ring | 121 | 1 | lifting cap |
| 030 | 1 | spring bonnet | 122 | 1 | coupling |
| 060 * | 1 | disc, complete | 125 | 1 | lifting button |
| 560 | 1 | disc | 130 * | 1 | o-ring |
| 062 | 1 | soft sealing | 131 * | 1 | o-ring |
| 063 | 1 | disc ring | 132 | 1 | groove pin |
| 080 | 1 | spindle | 133 | 1 | groove pin |
| 081 | 1 | spring | | | |
| 082 | 1 | springplate, upper | | | |
| 084 | 1 | springplate, lower | | | |
| 085 | 1 | adjusting screw | | | |
| 086 | 1 | lock nut | | | |
| 092 | 2 | lock ring | | | |

* expendable parts