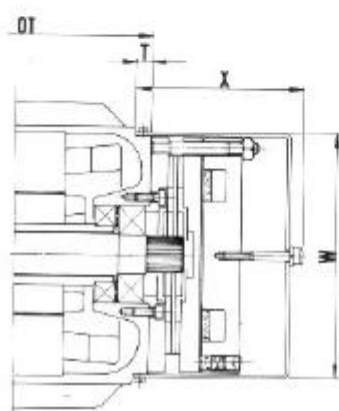
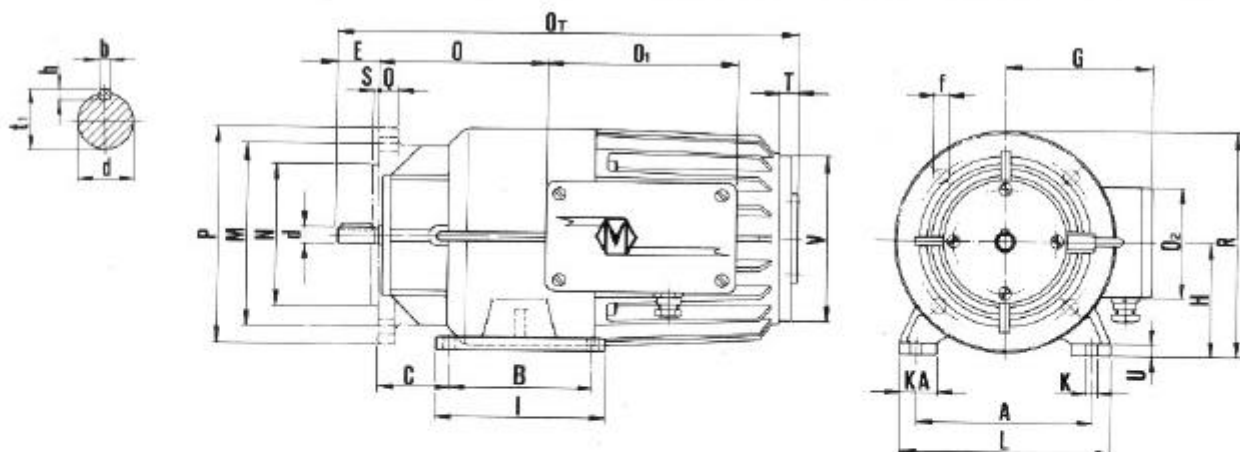
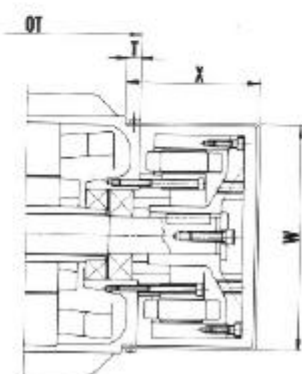


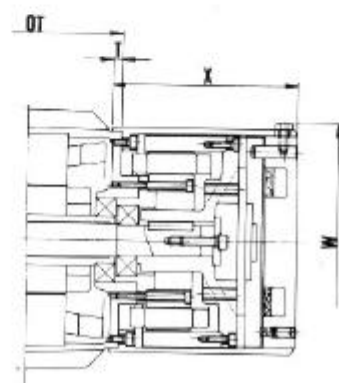
Variable speed drives type 40025/2005



Series MVA-MVFA
with magnetic brake «A»



Series MVK-MVFK
with eddy current brake «K»



Series MVKA and MVFKA
with eddy current brake «K»
and magnetic brake «A»

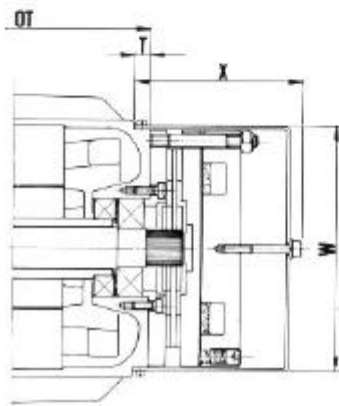
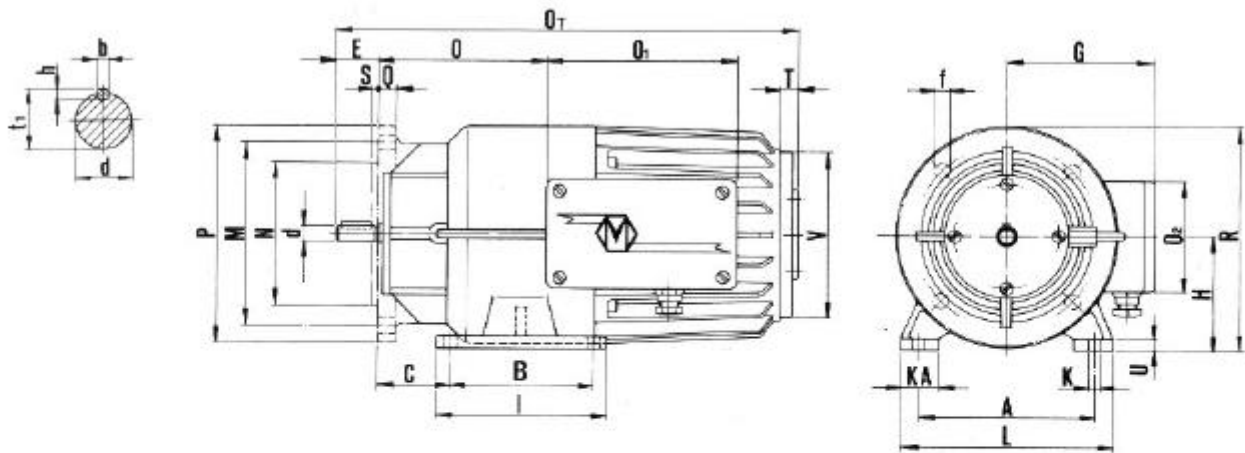
Overall dimensions series MV - version B3																	Shaft				Brake							
Type	H	A	B	C	E	G	I	K	KA	L	O	O1	O2	OT	R	T	U	V	d	b	h	t1	W	X	W	X	W	X
40025	71	120	78	46,5	23	107	100	7	25	140	100	111	77,5	285	142	10	8	113	11	4	4	12,5	119	77	119	77	127	94
2005																												

Overall dimensions series MVF - version B5															Shaft				Brake									
Type	N	P	M	f	E	G	O	O1	O2	OT	Q	R	S	T	V	d	b	h	t1	W	X	W	X	W	X	W	X	
40025	95	140	115	9,5	23	107	100	111	77,5	285	10	140	3	10	113	11	4	4	12,5	119	77	119	77	127	94			
2005																												

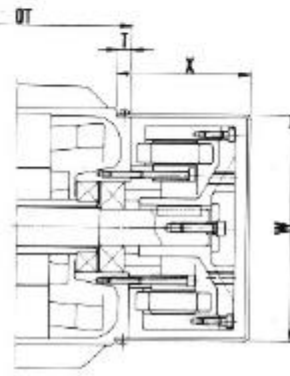
Type	Rated power		Rated current 220/380 V 50 Hz		Output speed (rpm)		Rated torque	Starting torque	Max. voltage supplied to vari. at op. temp. and rated torque	Max. current absorbed by vari. at op. temp. and rated torque	Magnetic brake «A» at 20 °C		Eddy current brake «K» at 20 °C			
	(HP)	(kW)	(A)	(A)	min.	max.	(Kgm) (da Nm)	(Kgm) (da Nm)	(V _{oc})	(A)	(V _{oc}) (A)	(Kgm) da Nm	(V _{oc}) (A)	(Kgm) da Nm		
40025	0,25	0,18	1,1	0,65	0	1200	0,125	0,32	60	0,625	220	0,2	0,25	110	1,57	0,4
2005	0,5	0,37	1,8	1,05	0	2500										

Series	Dynamic moment (Kgm ²)		Acceleration time (ms)		Weight (Kg)	
	40025	2005	40025	2005	B3	B5
MV - MVF	0,00786		38	50	10,2	10
MVK - MVFK	0,0131		135	150	12,5	12,3
MVKA - MVFKA					14,4	14,2

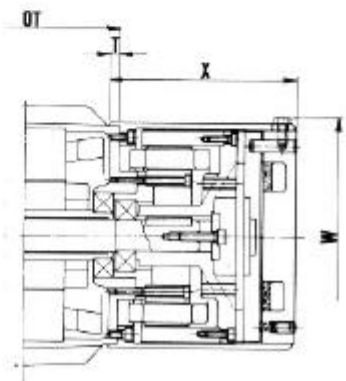
Variable speed drives type 4005/2010



Series MVA and MVFA with magnetic brake «A»



Series MVK and MVFK with eddy current brake «K»



Series MVKA and MVFKA with eddy current brake «K» and magnetic brake «A»

Overall dimensions series MV - version B3

Type	Overall dimensions series MV - version B3																	Shaft				Brake						
	H	A	B	C	E	G	I	K	KA	L	O	O1	O2	OT	R	T	U	V	d	b	h	t1	MVA		MVK		MVKA	
4005	80	125	100	52,5	30	116	134	9	35	155	145	135	90	345	158	21	10	127	14	5	5	16	130	89	130	83	140	117
2010																												

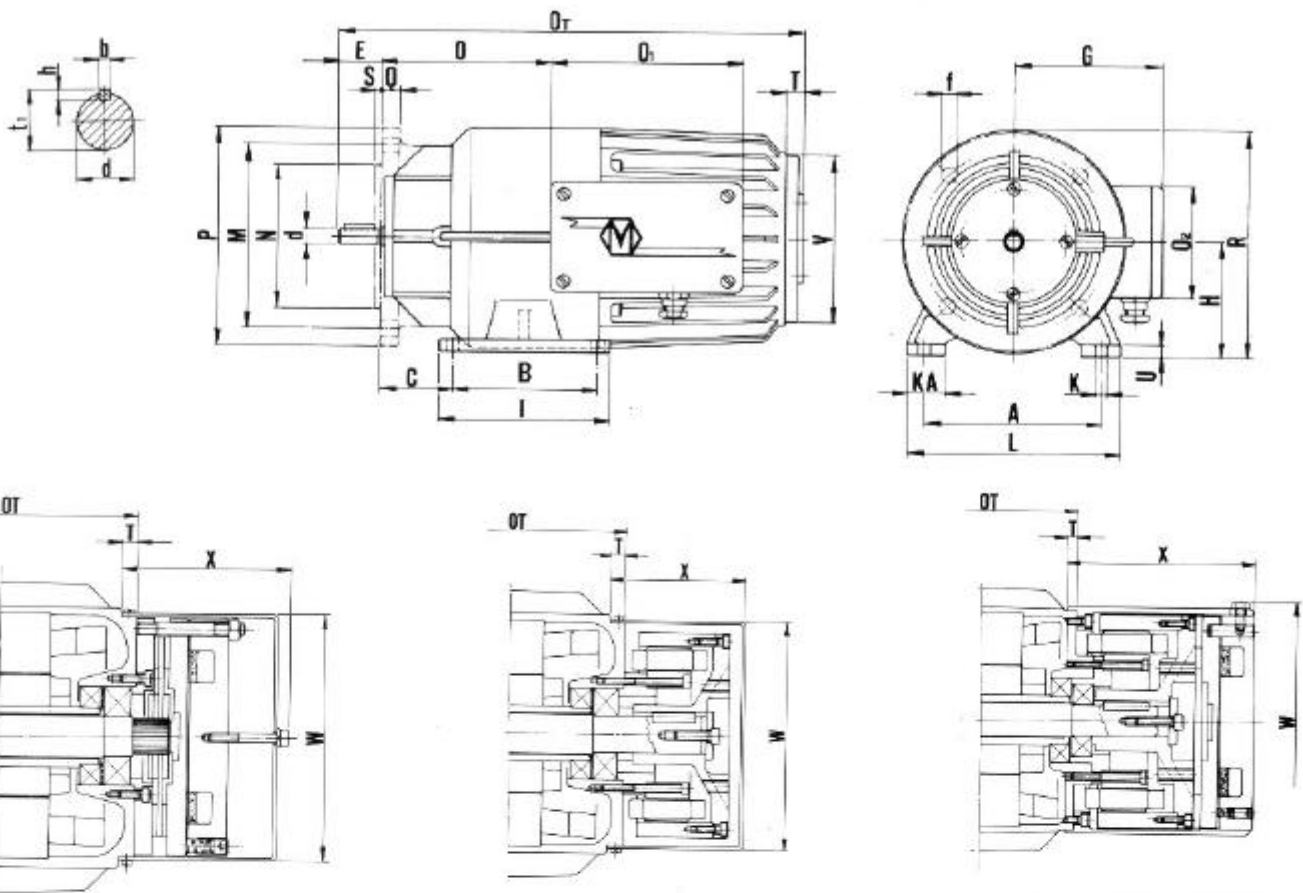
Overall dimensions series MVF - version B5

Type	Overall dimensions series MVF - version B5															Shaft				Brake					
	N	P	M	I	E	G	O	O1	O2	OT	Q	R	S	T	V	d	b	h	t1	MVFA		MVFK		MVFKA	
4005	110	160	130	11,5	30	116	145	135	90	345	11	156	3,5	21	127	14	5	5	16	130	89	130	83	140	117
2010																									

Type	Rated power		Rated current 220/280 V 50 Hz		Output speed (rpm)		Rated torque	Starting torque	Max. voltage supplied to variat. at op. temp. and rated torque	Max. current absorbed by variat. at op. temp. and rated torque	Magnetic brake «A» at 20 °C		Eddy current brake «K» at 20 °C			
	(HP)	(kW)	(A)	(A)	min.	max.	(Kgm) (da Nm)	(Kgm) (da Nm)	(V _{cc})	(A)	V _{cc}	(A)	(Kgm) (da Nm)	V _{cc}	(A)	(Kgm) (da Nm)
4005	0,5	0,37	2,1	1,21	0	1300	0,25	0,75	100	0,45	220	0,15	0,625	110	0,73	0,85
2010	1	0,75	3,2	1,85	0	2700										

Series	Dynamic moment (Kgm ²)		Acceleration time (ms)		Weight (Kg)	
	4005	2010	4005	2010	B3	B5
MV - MVF	0,0142		60	90	15,5	15,8
MVA - MVFA					19	19,3
MVK - MVFK	0,0233		110	150	19,3	19,6
MVKA - MVFKA					22,6	22,9

Variable speed drives type 4010/2020



Series MVA and MVFA
with magnetic brake «A»

Series MYK and MVFK
with eddy current brake «K»

Series MVKA and MVFKA
with eddy current brake «K»
and magnetic brake «A»

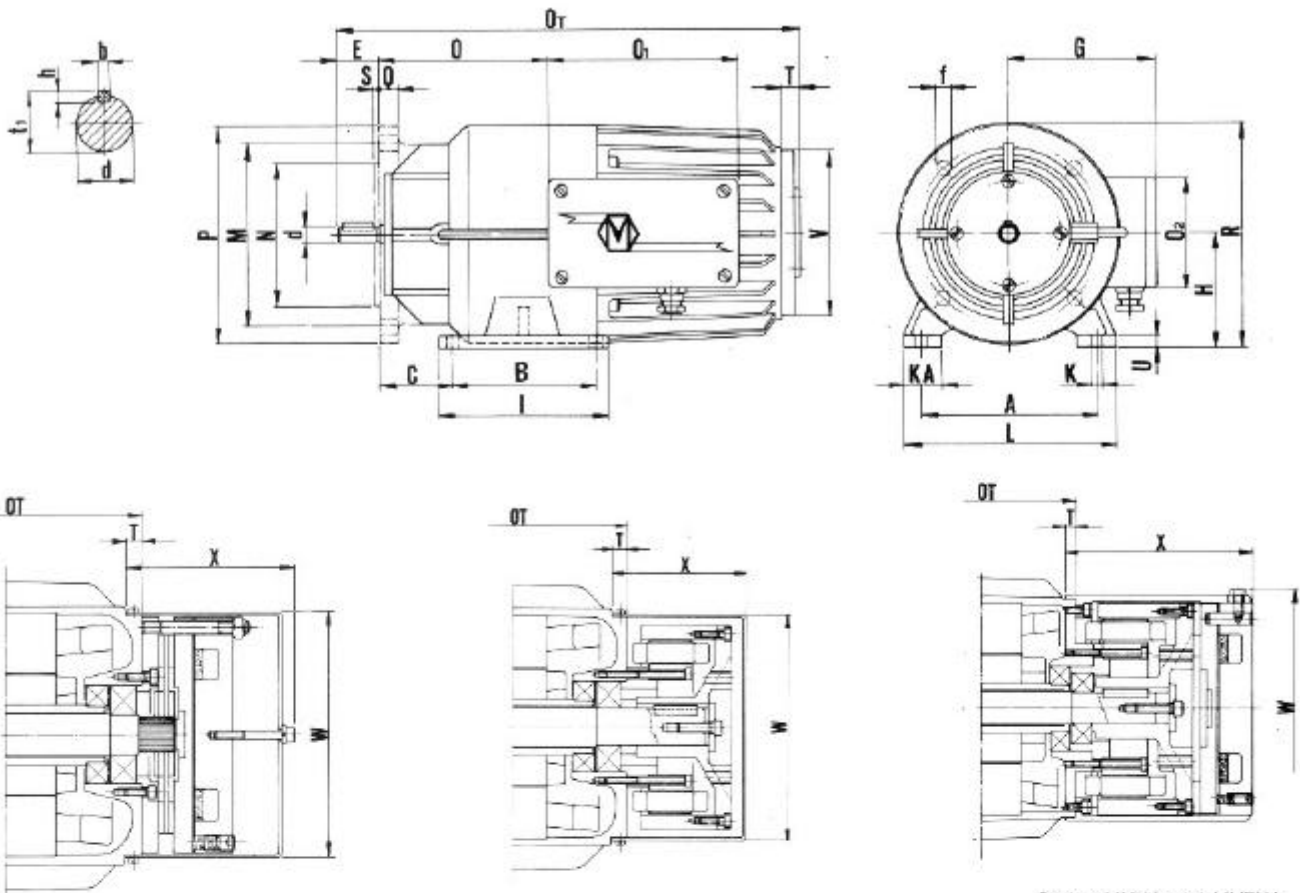
Overall dimensions series MV - version B3																	Shaft				Brake							
Type	H	A	B	C	E	G	I	K	KA	L	O	O1	O2	OT	R	T	U	V	d	b	h	t1	W	X	W	X	W	X
4010	90	140	125	55	40	125	156	9	32	180	164	135	90	382	177	27	10	142	19	6	6	21,5	145	101	145	95	154	138
2020																												

Overall dimensions series MVF - version B5															Shaft				Brake									
Type	N	P	M	I	E	G	O	O1	O2	OT	Q	R	S	T	V	d	b	h	t1	W	X	W	X	W	X	W	X	
4010	130	200	165	11,5	40	125	164	135	90	382	14,5	175	3,5	27	142													
2020																												

Type	Rated power		Rated current 220/380 V 50 Hz		Output speed (rpm)		Rated torque	Starting torque	Max. voltage supplied to variator at op. temp. and rated torque	Max. current absorbed by variator at op. temp. and rated torque	Magnetic brake «A» at 20 °C			Eddy current brake «K» at 20 °C		
	(HP)	(kW)	(A)	(A)	min.	max.	(Kgm) (da Nm)	(Kgm) (da Nm)	(V _{ac})	(A)	(V _{ac})	(A)	(Kgm) (da Nm)	(V _{ac})	(A)	(Kgm) (da Nm)
4010	1	0,75	3,5	2,02	0	1350	0,5	1,48	120	0,70	220	0,27	1,25	110	1,57	1,25
2020	2	1,5	6	3,46	0	2750										

Series	Dynamic moment (Kgm ²)		Acceleration time (ms)		Weight (Kg)	
	4010	2020	4010	2020	B3	B5
MV - MVF	0,0305		80	150	22,8	22,2
MVA - MVFA					28	27,4
MVK - MVFK	0,0583		140	300	28,3	27,7
MVKA - MVFKA					33	32,4

Variable speed drives type 4020/2040



Series MVA and MVFA
with magnetic brake «A»

Series MVK and MVFK
with eddy current brake «K»

Series MVKA and MVFKA
with eddy current brake «K»
and magnetic brake «A»

Overall dimensions series MV - version B3																	Shaft				Brake							
Type	H	A	B	C	E	G	I	K	KA	L	O	O1	O2	OT	R	T	U	V	d	b	h	t1	W	X	W	X	W	X
4020	100	160	140	63	50	138	180	12	40	195	195	135	90	487	200	20	11	150	24	8	7	27	154	106	154	100	162	131
2040																												

Overall dimensions series MVF - version B5															Shaft				Brake						
Type	N	P	M	f	E	G	O	O1	O2	OT	Q	R	S	T	V	d	b	h	t1	W	X	W	X	W	X
4020	130	200	165	11,5	50	138	195	135	90	487	12	198	3,5	20	150	24	8	7	27	154	106	154	100	162	131
2040																									

Type	Rated power		Rated current 220/380 V 50 Hz		Output speed (rpm)		Rated torque (Kgm) (da Nm)	Starting torque (Kgm) (da Nm)	Max. voltage supplied to vari. at op. temp. and rated torque (V _{dc})	Max. current absorbed by vari. at op. temp. and rated torque (A)	Magnetic brake «A» at 20 °C			Eddy current brake «K» at 20 °C		
	(HP)	(kW)	(A)	(A)	min.	max.					(V _{dc})	(A)	(Kgm) da Nm	(V _{dc})	(A)	(Kgm) da Nm
4020	2	1,5	6,8	3,9	0	1350	1	3,15	90	1,8	220	0,35	2,5	110	1,57	1,25
2040	4	3	11,3	6,5	0	2750										

Series	Dynamic moment (Kgm ²)		Acceleration time (ms)		Weight (Kg)	
	4020	2040	4020	2040	B3	B5
MV - MVF	0,0779		85	110	41	41,6
MVA - MVFA					48,5	49,1
MVK - MVFK	0,105		110	250	48,8	49,4
MVKA - MVFKA					53,4	54