

## Important Notes

1. All wiring must be in accordance with national and local electrical codes.
2. This panel must be installed by a qualified electrician.
3. Ambient operating temperature: 32–104° F (0–40° C), 0–90% humidity, non-condensing. Indoor use only.

## Installation

1. **Mount Power Panel** using one of the following methods (mounting hardware is not provided):
  - a. **Surface Mount** - Using the pattern of the keyholes on the rear of the Power Panel, install three bolts into the wall, but leave a 1/4" gap between the wall and the head of the bolt (use bolts rated for a 50 lb. load, 1/4" bolts recommended). See Figure 1. Hang the Power Panel on the bolts and tighten securely.
  - b. **Recess Mount** - Install a 2" x 4" board as a bottom support between studs. Using four screws, fasten the Power Panel to the stud on the right and bottom support using the four mounting holes provided. See Figure 1.



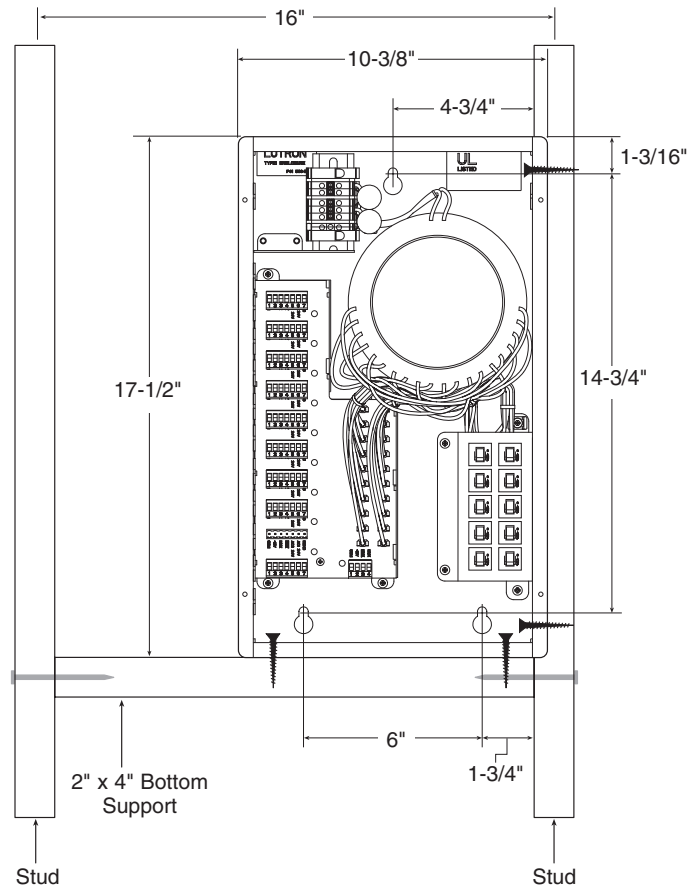
**Caution** - This equipment is air-cooled. Mount in a location where the vented cover will not be blocked.



**Danger** - Locate and lock supply breaker in the OFF position before wiring to the terminal blocks.

2. **Run 120V power wiring into the Power Panel.**  
Remove one of the knock-out tabs on the top left side of the enclosure near the terminal blocks. Insert strain relief into the knock-out hole. Run the power wire through the strain relief to the terminal blocks at the top left side of the enclosure. **Note:** Maximum feed breaker size of 30 Amps. (See Figure 2.) Each terminal block will accept one 10-18 AWG wire. Tighten terminal blocks to 3.5 to 5 in-lbs. **Do not overtighten.**
3. **Run Power Supply/Comm Link wiring into the panel.** Remove as many knock-outs tabs as necessary from the left side of the enclosure and insert strain reliefs. Run the low-voltage Power Supply/Comm Link wiring from the Sivoia QED Electronic Drive Unit (EDU) through the strain reliefs to the terminal blocks on the left side of the enclosure. (See Figure 2.) **Note:** Each Electronic Drive Unit (EDU) must be properly earth grounded. The maximum shade size limitation on each transformer is a single EDU with up to 100 square feet of shade fabric (225 square feet for high torque Electronic Drive Unit).
4. **Run communication wiring between Power Panels.**  
If more than one Power Panel is in the system, you will need to connect the Communications Links together. Run communications wire, four conductor foil shielded

## Figure 1: Mounting Diagram and Dimensions

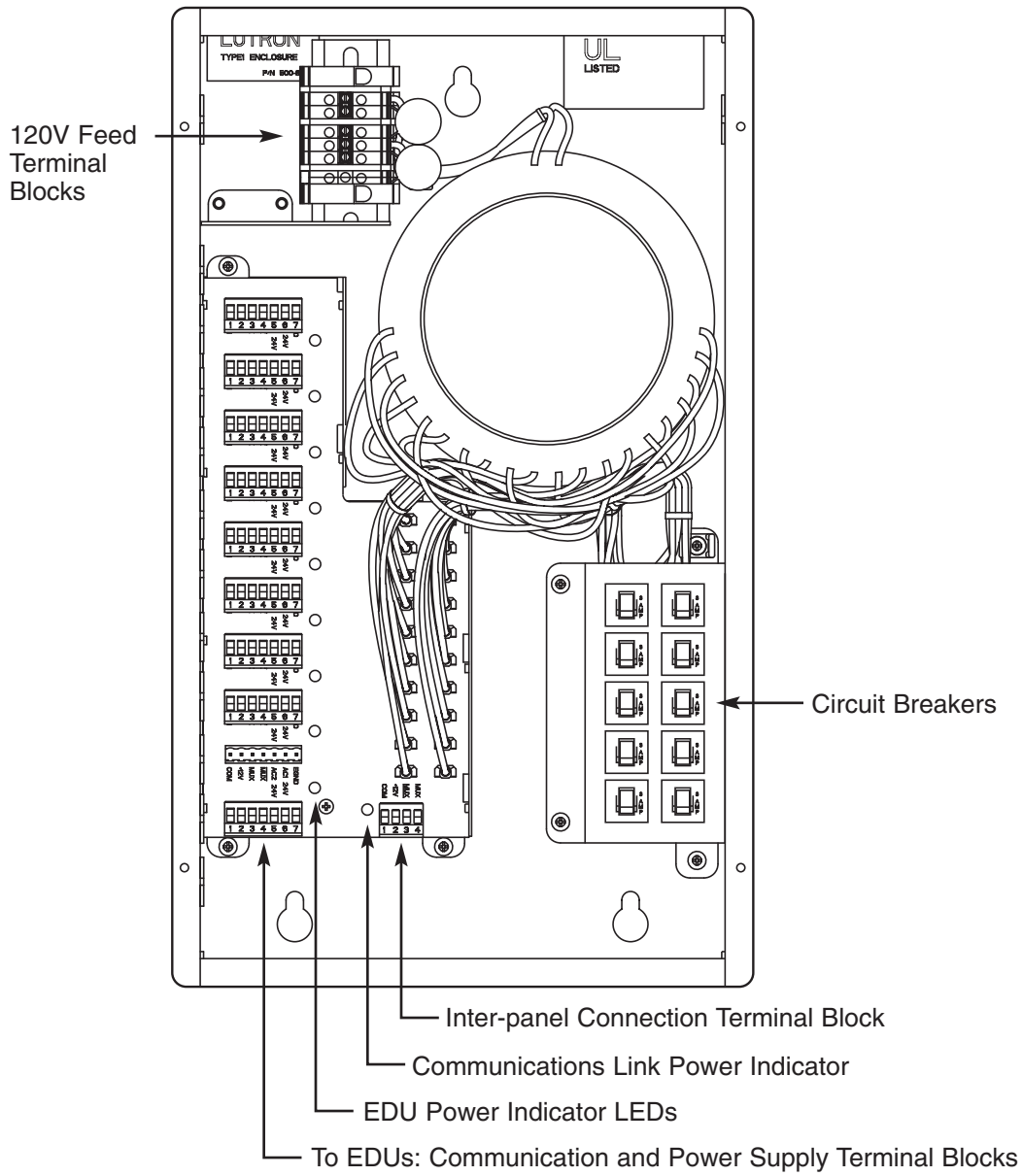


with drain, between each Inter-panel connection terminal block. Refer to Figure 3 for wiring details.

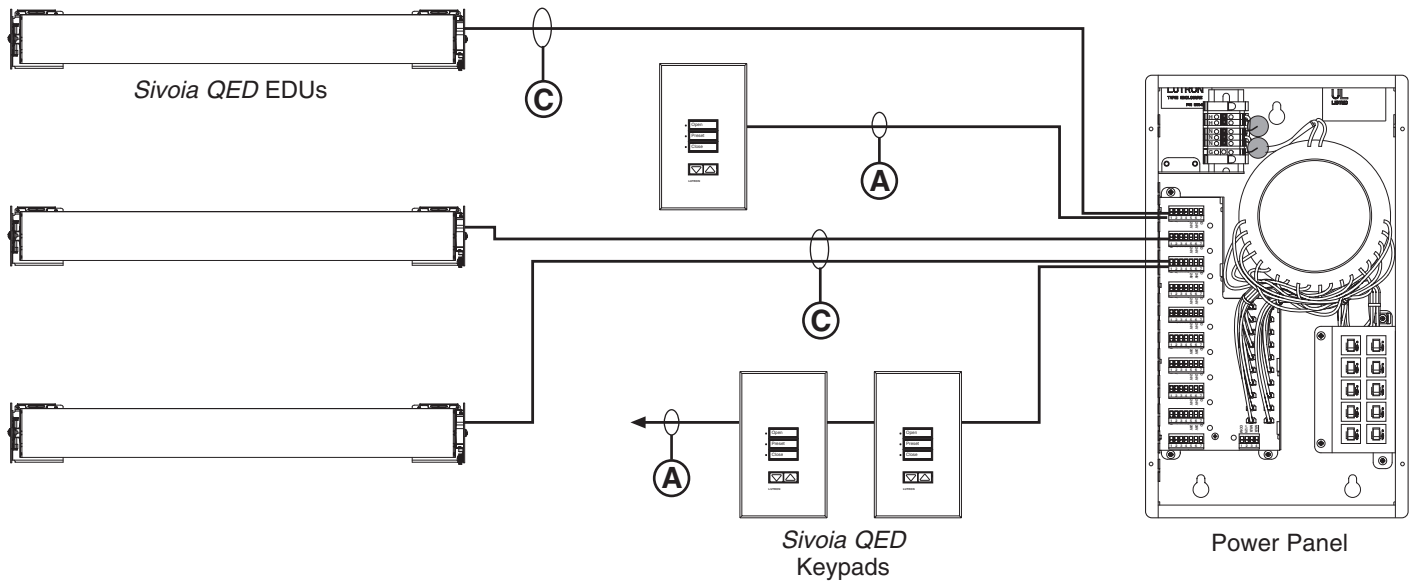
5. **Install cover.** Ensure that the vents are on the left side of the cover. Tighten screws to 20 in-lbs.



**Figure 2: Parts Identification**



**Figure 3: System Overview and Wire Specifications**



**Wire Types**

**Maximum Wire Lengths**

**(A)** Communications Link  
 4 Conductor #18AWG (twisted and shielded)  
 Maximum comm Link - 4000 feet

Keypad to Power Panel  
 1 keypad - 1000 feet  
 2 keypads - 500 feet  
 3 keypads - 300 feet  
 4 keypads - 200 feet

**(B)** Power Supply  
 3 Conductor #16–20AWG

EDU to Panel  
 #16AWG - 200 feet  
 #18AWG - 150 feet  
 #20AWG - 100 feet

**(C)** SVQ-CBL-250  
 ( **(A)** and **(B)** combined)  
 7 Conductor, being:  
 2 - #16AWG Power Supply (red, red/white)  
 1 - #18AWG Earth Ground (green/yellow)  
 4 - #18AWG Comm Link (blue, yellow, violet, gray, twisted and shielded)

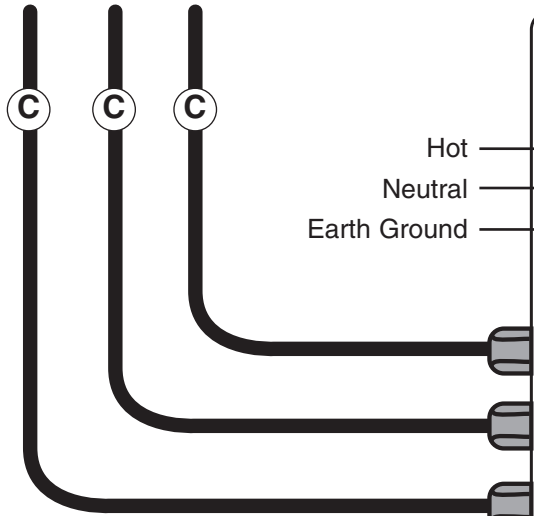
EDU to Power Panel - 200 feet  
 1 keypad to Power Panel - 1000 feet  
 2 keypads to Power Panel - 500 feet  
 3 keypads to Power Panel - 300 feet  
 4 keypads to Power Panel - 200 feet

Note: If *Sivoia QED* cable is used for keypad wiring, there would be extra conductors left unused.

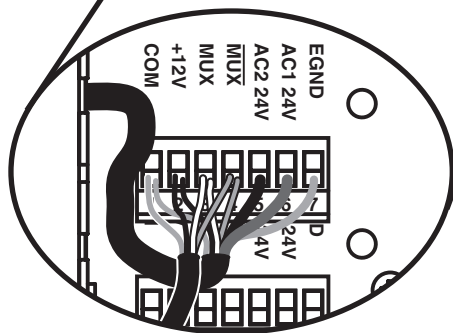
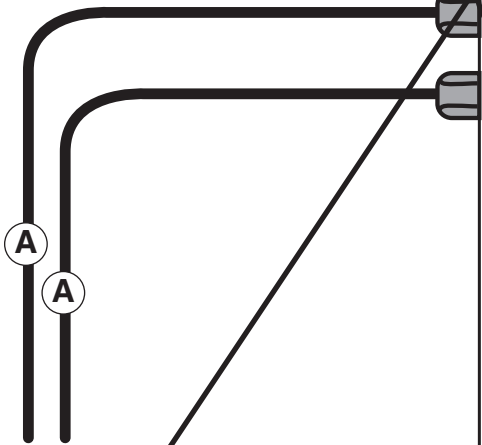
# Figure 4: Power Panel to EDU Wiring

Power Supply and Communications Link wiring.  
(Refer to Wire Type Specifications on page 3.)

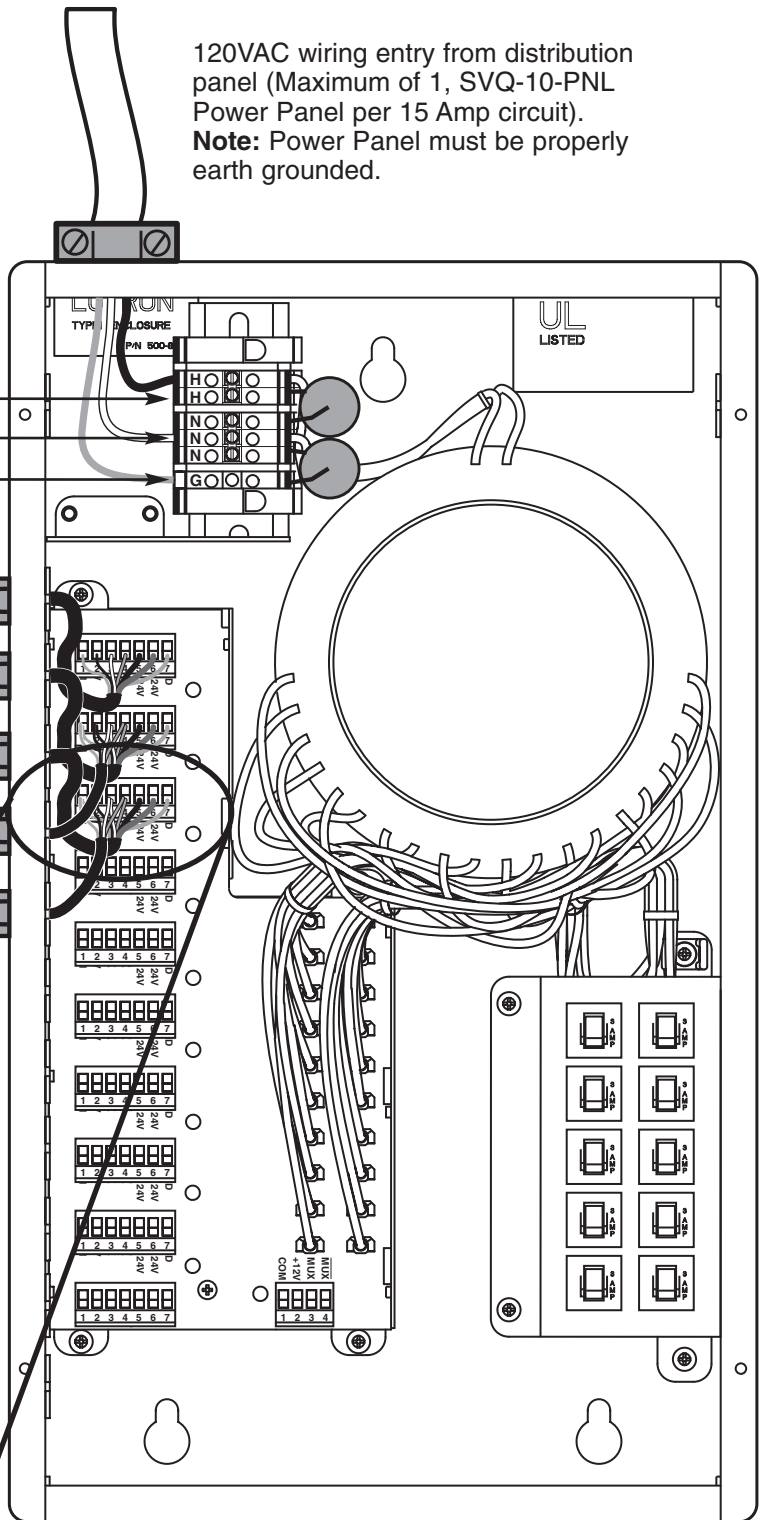
To Sivoia QED Electronic Drive Units (EDUs)



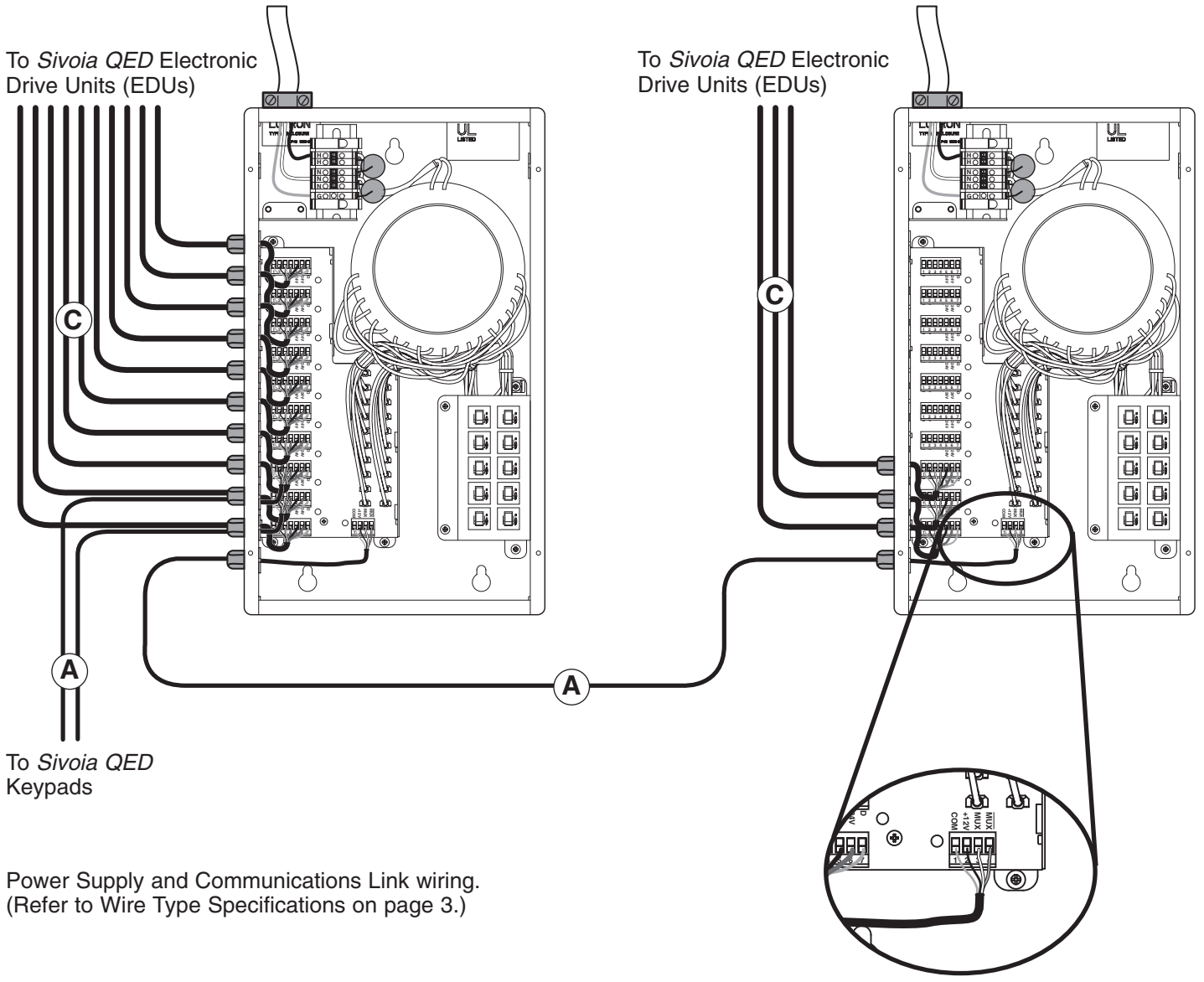
To Sivoia QED Keypads



120VAC wiring entry from distribution panel (Maximum of 1, SVQ-10-PNL Power Panel per 15 Amp circuit).  
**Note:** Power Panel must be properly earth grounded.



# Figure 5: Inter-panel Communication Wiring



## Troubleshooting

### Symptom

### Possible Solution

---

EDU power LEDs are OFF.

- Check power feed circuit breaker.
- Check output circuit breakers in Power Panel.

---

Communication Link power LED is OFF.

- Check output circuit breakers in Power Panel.
- Check if at least one EDU is powered on the link.

## Technical Assistance

If you need assistance, call the toll-free **VIMCO Technical Support Center**. Please provide exact model number when calling.

(800) 446-1503 (U.S.A., Canada, and the Caribbean)

Other countries call (804) 752-3300

Fax (804) 752-3366

Visit our web site at [www.vimco.com](http://www.vimco.com)

## Limited Warranty

VIMCO will, at its option, repair or replace any unit that is defective in materials or manufacture within one year after purchase. For warranty service, return unit to place of purchase or mail to VIMCO at 11520 Sun Shade Lane, Ashland, VA 23005, postage prepaid.

**THIS WARRANTY IS IN LIEU OF ALL OTHER EXPRESS WARRANTIES, AND THE IMPLIED WARRANTY OF MERCHANTABILITY IS LIMITED TO ONE YEAR FROM PURCHASE. THIS WARRANTY DOES NOT COVER THE COST OF INSTALLATION, REMOVAL, OR REINSTALLATION, OR DAMAGE RESULTING FROM MISUSE, ABUSE, OR DAMAGE RESULTING FROM IMPROPER WIRING OR INSTALLATION. THIS WARRANTY DOES NOT COVER INCIDENTAL OR CONSEQUENTIAL DAMAGES. VIMCO'S LIABILITY ON ANY CLAIM FOR DAMAGES ARISING OUT OF OR IN CONNECTION WITH THE MANUFACTURE, SALE, INSTALLATION, DELIVERY, USE, REPAIR, OR REPLACEMENT OF THE SHADING SYSTEM SHALL NEVER EXCEED THE PRICE PAID FOR THE SYSTEM.**

This warranty gives you specific legal rights, and you may also have other rights which vary from state to state. Some states do not allow the exclusion or limitation of incidental or consequential damages or limitations on how long an implied warranty may last, so the above limitations may not apply to you.

This product may be covered under one or more of the following U.S. patents: 5,467,266; 5,671,387; 5,848,634; 6,100,659; 6,201,364; 6,313,588; 6,346,781; 6,497,267; and corresponding foreign patents. U.S. and foreign patents pending.

Lutron, Sivoia and the Sunburst logo are registered trademarks and Sivoia QED is a trademark of Lutron Electronics Co., Inc. VIMCO and shading solutions by VIMCO are trademarks of Virginia Iron & Metal Company, Inc. © 2003 Virginia Iron & Metal Company, Inc.