

Ref. : MS 6100S100

Rev. : Initial

Date : 19/10/2016

Page : 1/1

DIAPHRAGM SEAL FOR PRESSURE GAUGE

MS 6100S100



APPLICATION

Gauge protection of aggressive, corrosive, highly viscous, hazardous or toxic fluids. Food processing, pharmaceutical industry, bio-technology of active agents, aseptic applications.

GENERAL CHARACTERISTICS

Easy disassembly for cleaning operation.
Quick and easy cleaning at the measurement point.
Fluid separation membrane to avoid direct contact.
Hydraulic transmission of pressure to the gauge.
Suitable for SIP and CIP.
3-A compliant.
ASME BPE compliant.

CONSTRUCTION

The upper part and the part in contact with fluid are made of stainless steel 1.4435 (316L)

DIMENSIONS

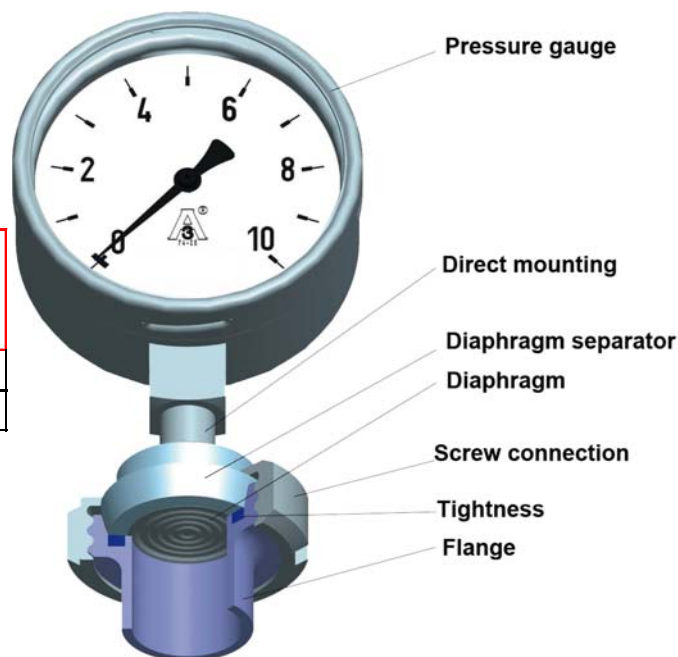
DN	G	d	Mb	D	d1	d2	B	l1	l2	Weight (kg)	
40	1" 1/2	RD 60x1/6	35,6	35	74	48	55	25	15	4	0,8
50	2"	RD 70x1/6	48,6	45	84	61	65	26	15	4	1,0

WORKING CONDITIONS

Measurement : min. 0 ... 0.6 bar, max. 0 ... 40 bar.
Maximum temperature: -10°C / 120°C

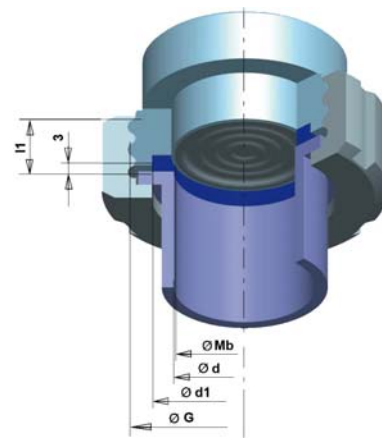
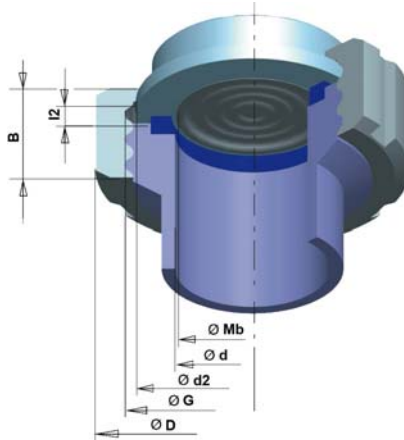
STANDARDS

Screw fitting according to SMS standard (SS 3352)
Pipe standard according to ISO 1127 série 2 or ISO 2037/1992.



With cap nut

With thread



ØMb - Diaphragm diameter
Ød - Pipe internal diameter
Ø of thread G

The photographs and technical art works are not contractual. The specifications of the presented products are open to modifications without previous advice