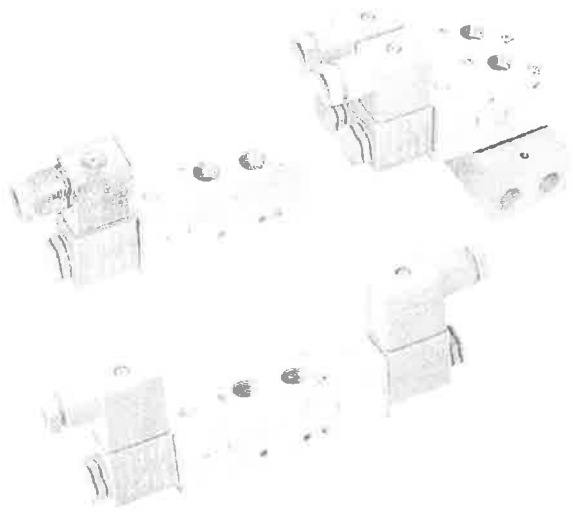


MVSC-220 series

SOLENOID VALVE



Specification

Model	3E1	3E2	4E1	4E2	4E2 C.P.R.
Bore No.	8A		6A, 8A		
Port size	Rc1/4		Rc1/8, Rc1/4		
No. of port	3		5		
No. of position	2		2	3	
Medium	Air				
Operating perssure range	0.2~0.8 MPa		0.3~0.8 MPa		
Operating pressue (LP)	0~0.8 MPa				
External pilot pressure (LP)	0.2~0.8 MPa		0.3~0.8 MPa		
Proof pressure	1 MPa				
Effective orifice	18 mm ²		16 mm ²		
Reponse time	30 ms		40 ms		
Ambient temperature	-5~+50°C (No freezing)				
Voltage	AC110V, 220V (50/60)Hz, DC24V				
Power consumption	AC=4.8/4.4VA, 6/4.9VA, DC=2W				
Available voltage range	±10%				
Insulation class	F class				
Weight	203 g	296 g	184 g	292 g	338 g

Order example of valve

MVSC - 220M - 4E2C - NC - □ - AC110 - L - LP - G

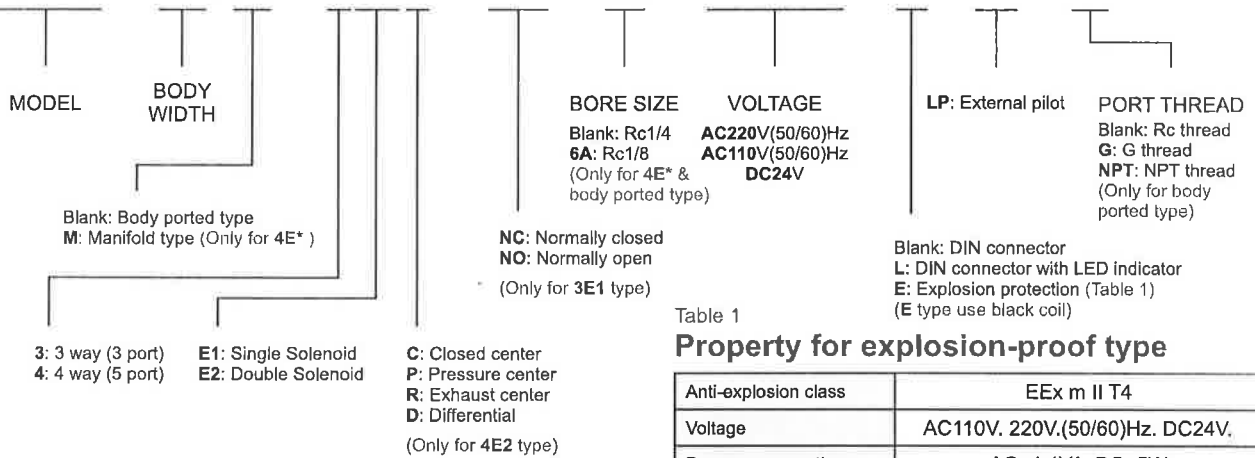


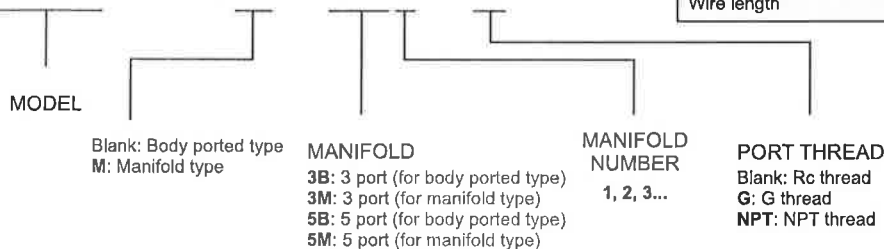
Table 1

Property for explosion-proof type

Anti-explosion class	EEx m II T4
Voltage	AC110V, 220V.(50/60)Hz, DC24V,
Power consumption	AC=4.4VA DC=5W
Available voltage range	±10%
Insulation class	F class
Wire length	3 m

Order example of manifold

MVSC - 220M - 5M3 - G

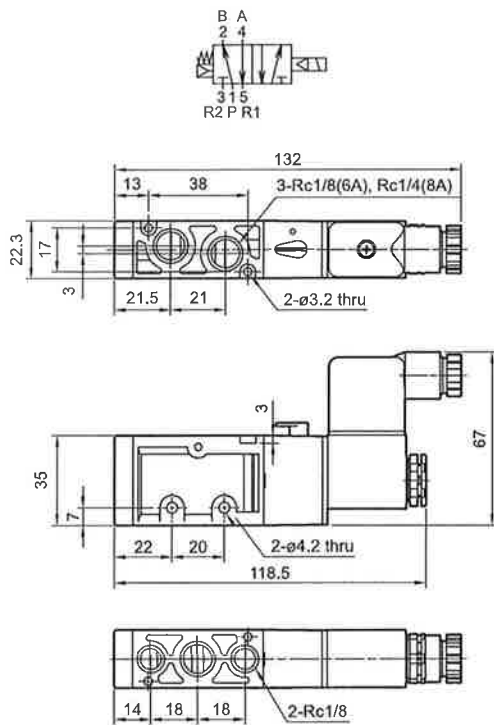


MVSC-220 Dimensions

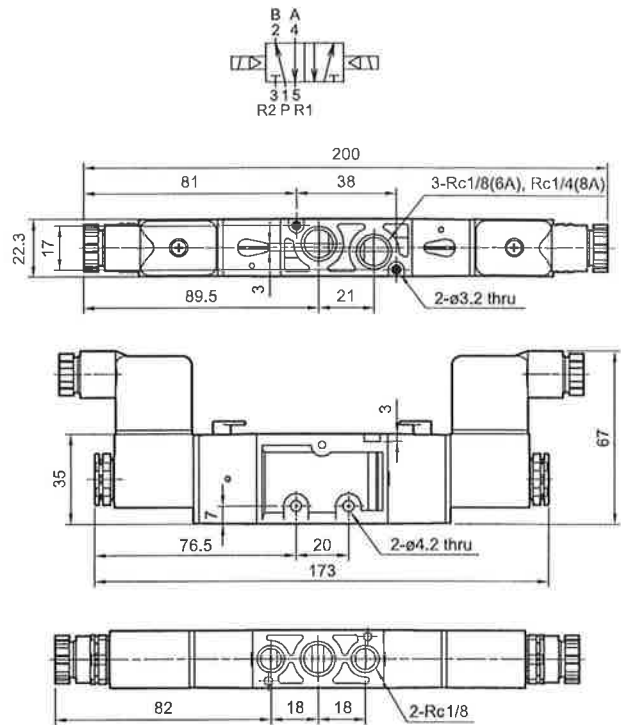
SOLENOID VALVE



MVSC-220-4E1



MVSC-220-4E2

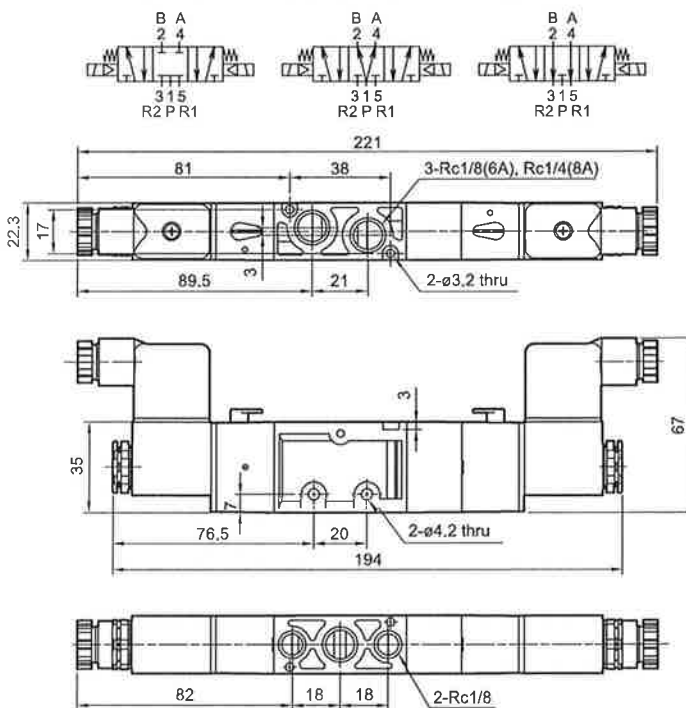


MVSC-220-4E2C.PR

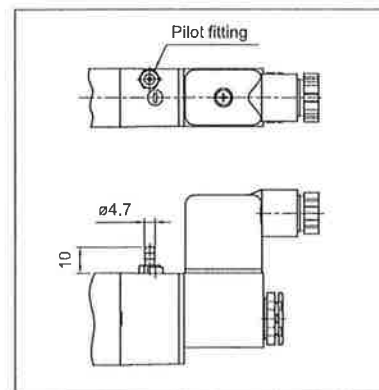
MVSC-220-4E2C

MVSC-220-4E2P

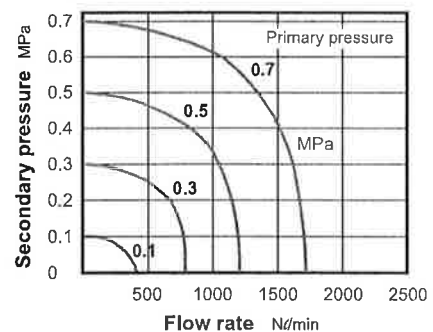
MVSC-220-4E2R



LP



Flow features

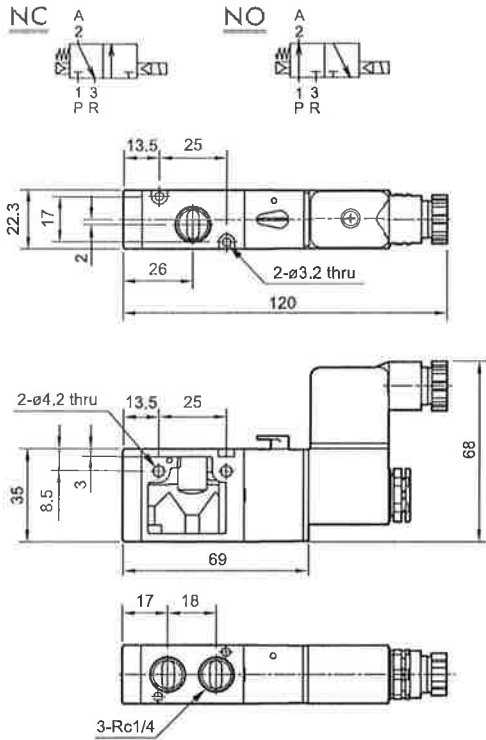


MVSC-220 Dimensions / Manifold

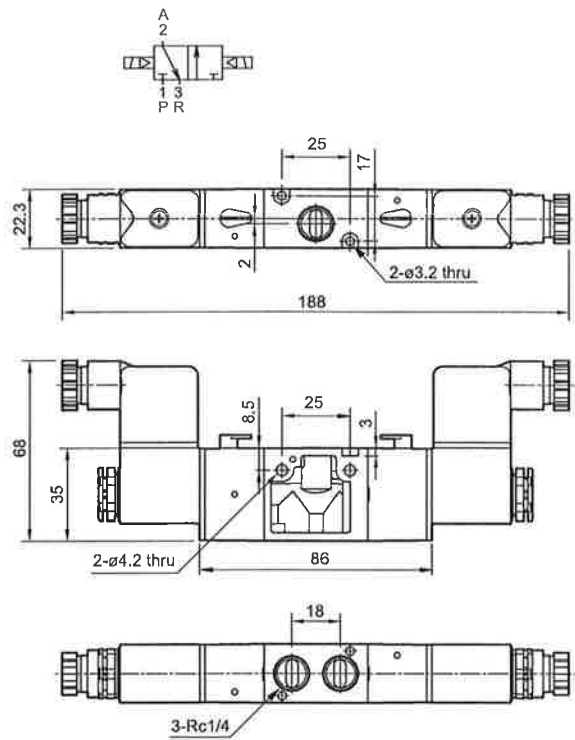
SOLENOID VALVE



MVSC-220-3E1-NC/NO



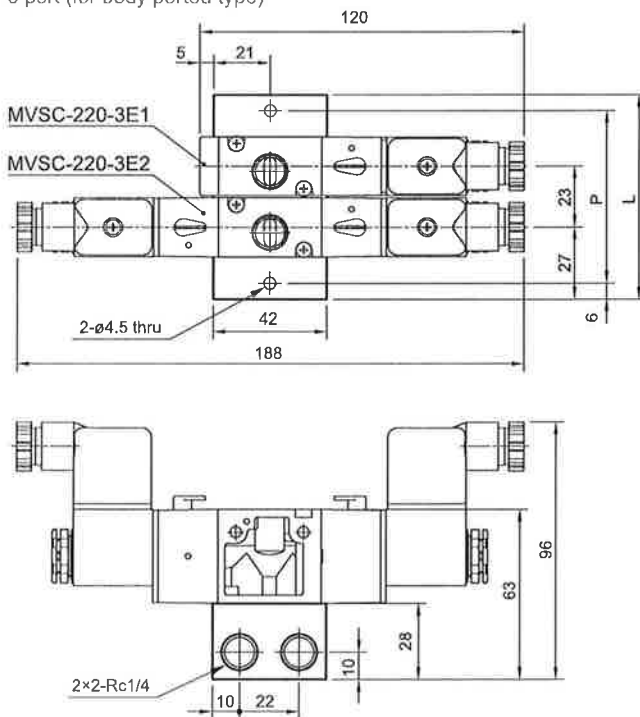
MVSC-220-3E2



Manifold of solenoid valve

MVSC-220-3B*

3 port (for body ported type)



No. of stations	P	L
2	65	77
3	88	100
4	111	123
5	134	146
6	157	169
7	180	192
8	203	215
9	226	238
10	249	261

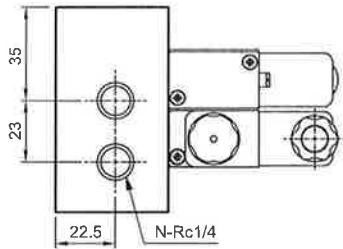
MVSC-220 Manifold

SOLENOID VALVE

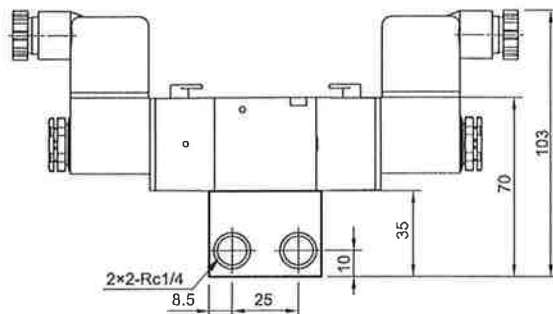
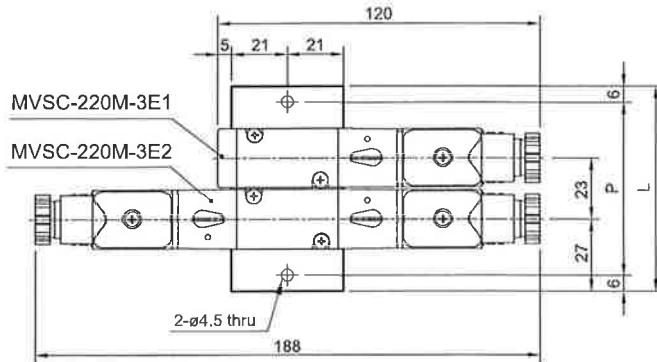


MVSC-220M-3M*

3 port (for manifold type)

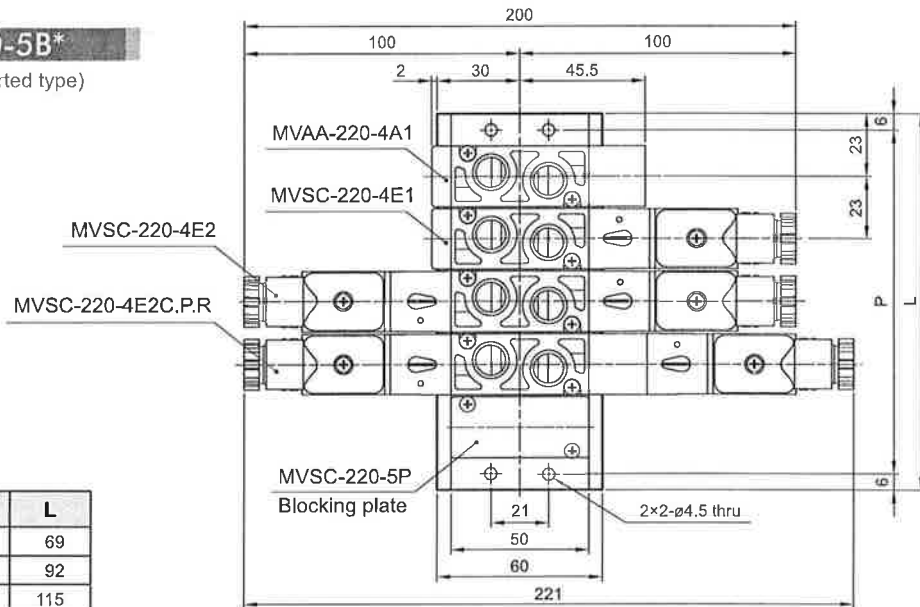


No. of stations (N)	P	L
2	65	77
3	88	100
4	111	123
5	134	146
6	157	169
7	180	192
8	203	215
9	226	238
10	249	261

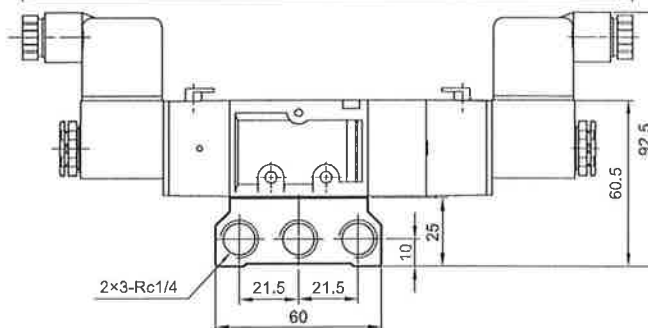


MVSC-220-5B*

5 port (for body ported type)



No. of stations	P	L
2	57	69
3	80	92
4	103	115
5	126	138
6	149	161
7	172	184
8	195	207
9	218	230
10	241	253



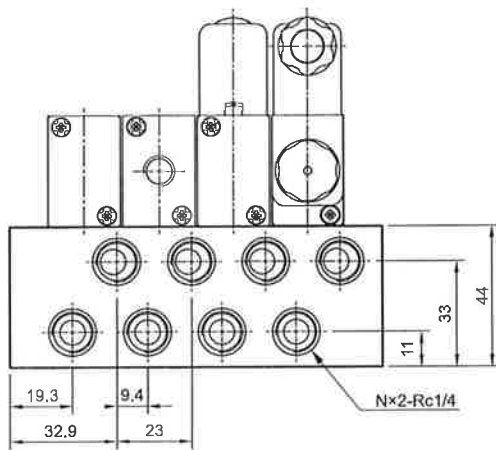
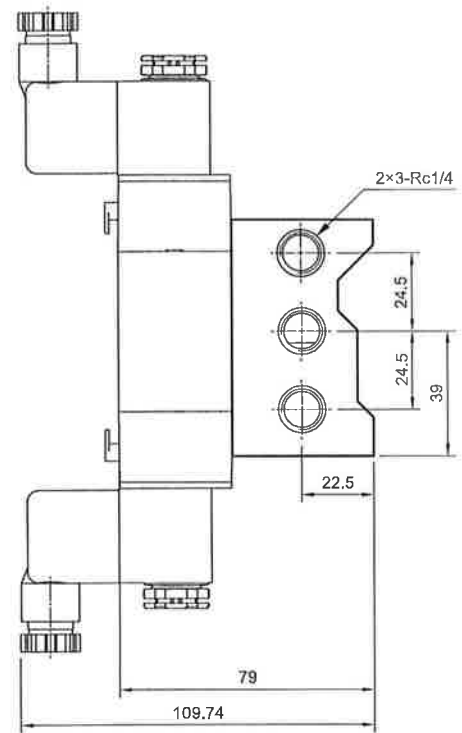
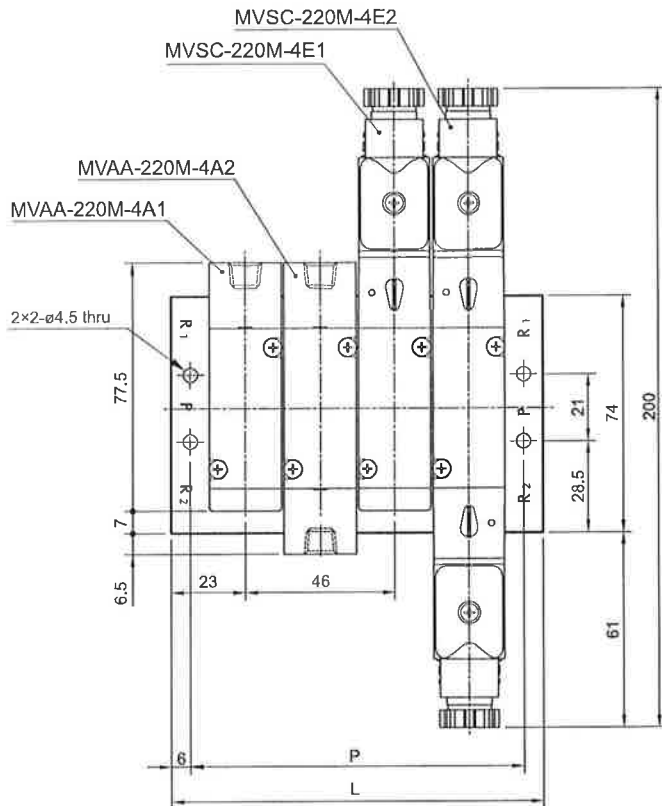
MVSC-220 Manifold

SOLENOID VALVE



MVSC-220M-5M*

5 port (for manifold type)



No. of stations (N)	P	L
2	57	69
3	80	92
4	103	115
5	126	138
6	149	161
7	172	184
8	195	207
9	218	230
10	241	253

