

Ref. : RF 3240.pas

Rev. : M

Date : 12/01/2016

Page : 1/1

# BALANCED FLOAT VALVE ANGLE FORM

## RF 3240



### APPLICATION

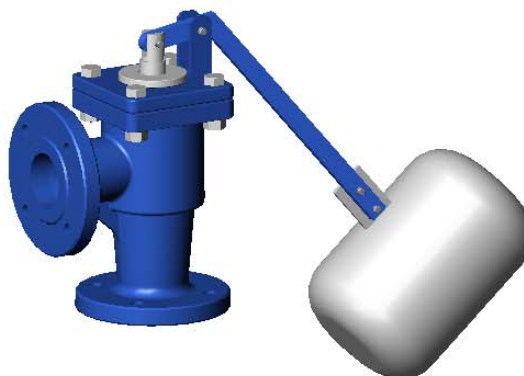
General use : potable water, irrigation.

### GENERAL CHARACTERISTICS

From DN 40 to DN 250.

### CONSTRUCTION

5	1	Float	Stainless steel 304	
4	1	Seat	Nitril	
3	1	Obturator	Stainless steel 304	
2	1	Bonnet	Cast iron GG25	DIN: GG25 ASTM: A48 class 40B BS: Grade 250
1	1	Body	Cast iron GG25	DIN: GG25 ASTM: A48 class 40B BS: Grade 250
<b>Pos.</b>	<b>Qty.</b>	<b>Description</b>	<b>Material</b>	



### DIMENSIONS

DN	L1	L2	L3	L4	ØD	ØD1	H	H1	H2	Weight (kg)
40	115	205	1280	352	150	300	112	1050	140	14
50	125	210	1290	352	165	300	115	1050	140	16
65	145	255	1480	352	185	300	120	1230	165	20
80	155	350	1450	352	200	300	140	1230	190	27
100	175	375	1530	390	220	375	170	1300	160	35
125	200	360	1910	390	250	375	165	1600	225	50
150	225	380	1870	390	285	375	200	1570	225	75
200	275	430	2100	390	340	460	245	1800	250	124
250	325	350	2170	582	405	460	255	1800	300	163

### WORKING CONDITIONS

Maxi working pressure: 16 bar from DN40 to DN150  
10 bar from DN200 to DN250.

Maxi temperature: -10°C / +120°C.

Test procedures are established according standards EN 12266-1, DIN 3230, BS 6755 and ISO 5208.

### STANDARDS

Face to face according to EN 558 Serie 8 and DIN 3202 / F32  
Flanges drilled according to DIN 2501 and EN 1092-2 : ISO PN16.

