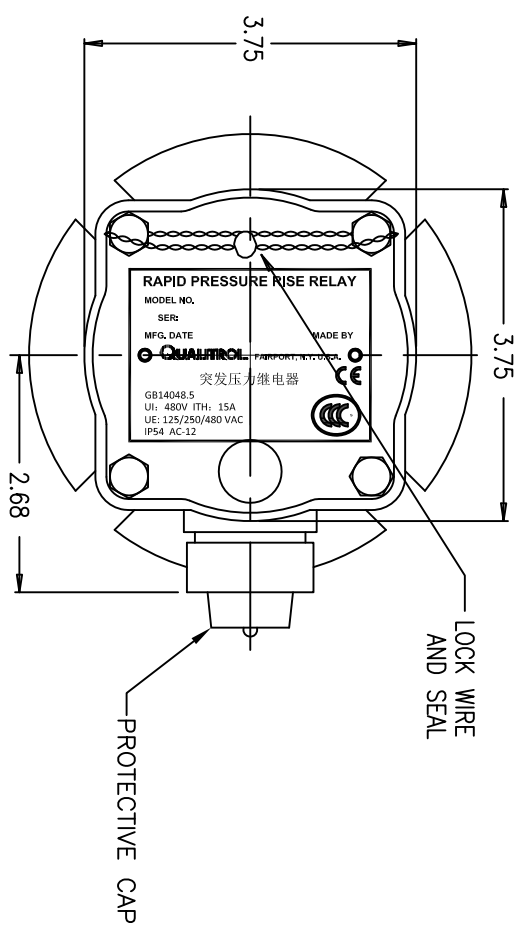


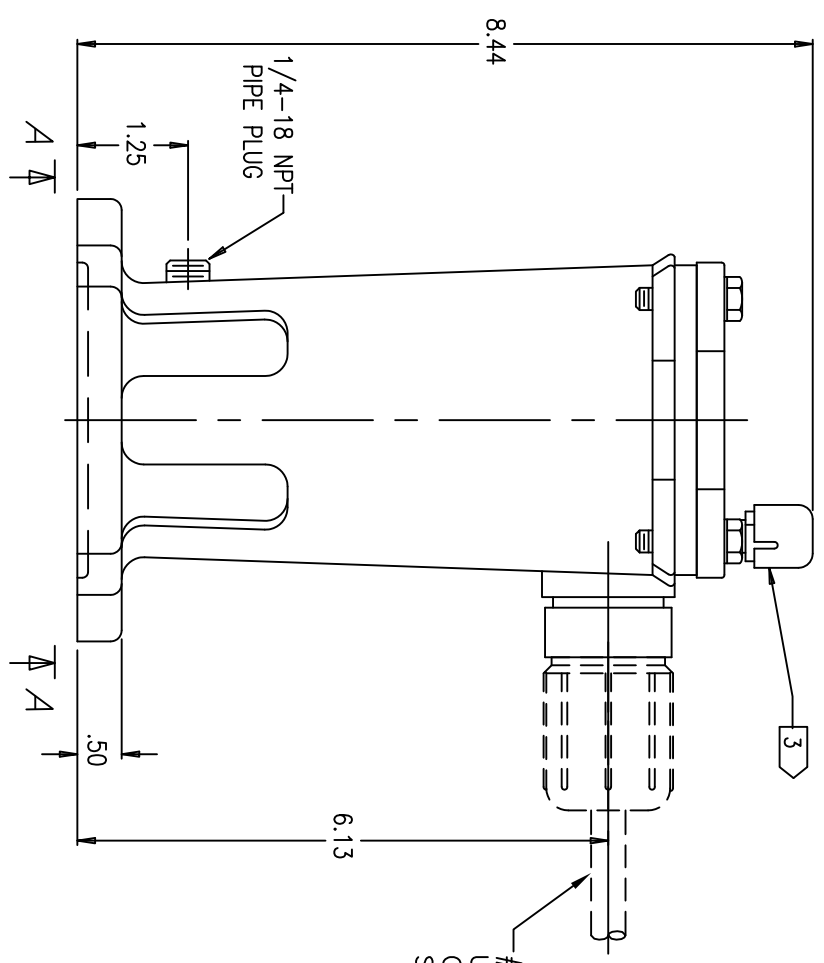


NOTICE
THIS DRAWING IS THE PROPERTY OF QUALITROL COMPANY LLC AND IS LOANED ONLY ON THE CONDITION THAT IT WILL BE USED TO FACILITATE THE PURPOSE FOR WHICH INTENDED AND NOT BE REPRODUCED, COPIED OR OTHERWISE DISPOSED OF, AND IS NOT TO BE USED IN WHOLE OR PART FOR FURNISHING INFORMATION RELATIVE TO THE MAKING OF DRAWINGS, PARTS OR APPARATUS OR PARTS THEREOF, EXCEPT BY WRITTEN ORDER FROM QUALITROL COMPANY LLC.

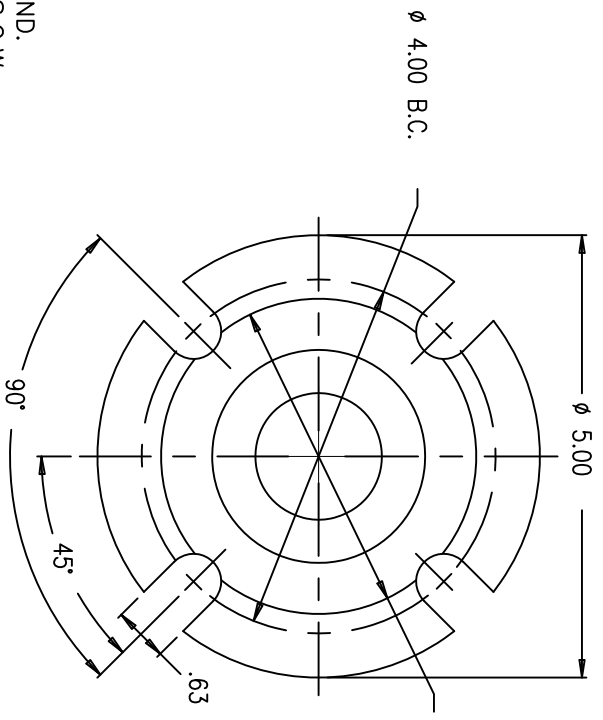
MODEL NO. 910-010



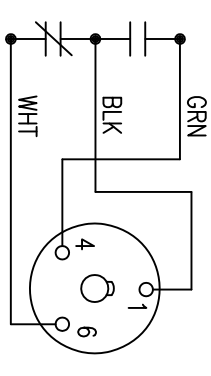
- NOTES:
1. MEETS QUALITROL PRODUCT PERFORMANCE SPECIFICATION PPS-9.
 2. FOR GAS SPACE INSTALLATION ONLY.
- [3] UNIT MUST BE MOUNTED VERTICALLY WITH VENT UP AS SHOWN.



#16 GA. 3 COND. UL/CSA TYPE S.O.W. CABLE SEE CHART



SWITCH RATINGS
15 AMP @ 125, 250, 480 VAC
.5 AMP @ 125 VDC - NON-INDUCTIVE
.25 AMP @ 250 VDC - NON-INDUCTIVE



VIEW A-A
- BASE -
SHOWN FOR MOUNTING ONLY

REVISION	MODEL NUMBER	LOW TEMP. TEST	CONN ASSY	CABLE LG.	REMARKS
OBSOLETE 17074, 6/17/96	-910-010-01	-	-	-	
OBSOLETE 17074, 6/17/96	-910-010-02	-55° C	-	-	
26330 11-13-07	910-010-03	-	-	-	REPLACES 910-010-01, -04
OBSOLETE 17074, 6/17/96	-910-010-04	-	-	-	SEALING TEST
26330 11-13-07	910-010-05	-55° C	-	-	REPLACES 910-010-02
26330 11-13-07	910-010-06	-	YES	60.00"	

10-1-13	SH.2 @ CHART: ADD CONN ASSY & CABLE LG 311778	C.N.
4-15-13	REV'D NAMEPLATE FOR CCC/CE	31153
LET	DATE	ALTERATION

QUALITROL
DIMENSIONS AND TOLERANCES IN ACCORDANCE WITH ASME Y14.5M-1994
FORM 0-473 REV. F 04/06/06

PH. (585) 586-1515
FAX (585) 377-0220
1385 FAIRPORT ROAD
FAIRPORT, NY 14450

TITLE: RAPID PRESSURE RISE RELAY (GAS)
MODEL NO. 910-010 SH 1 OF 2

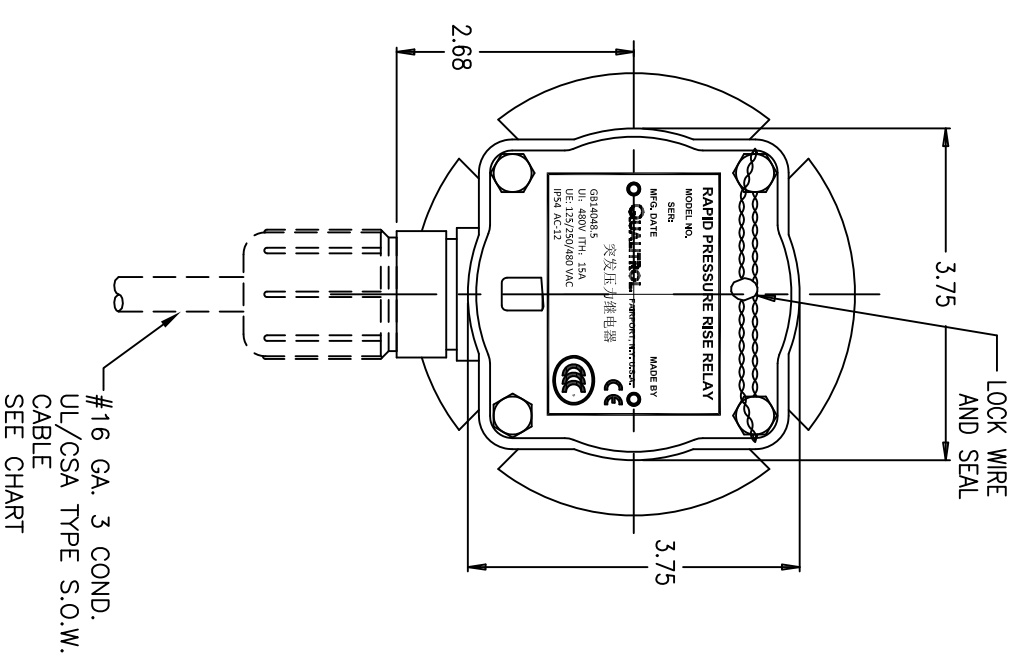
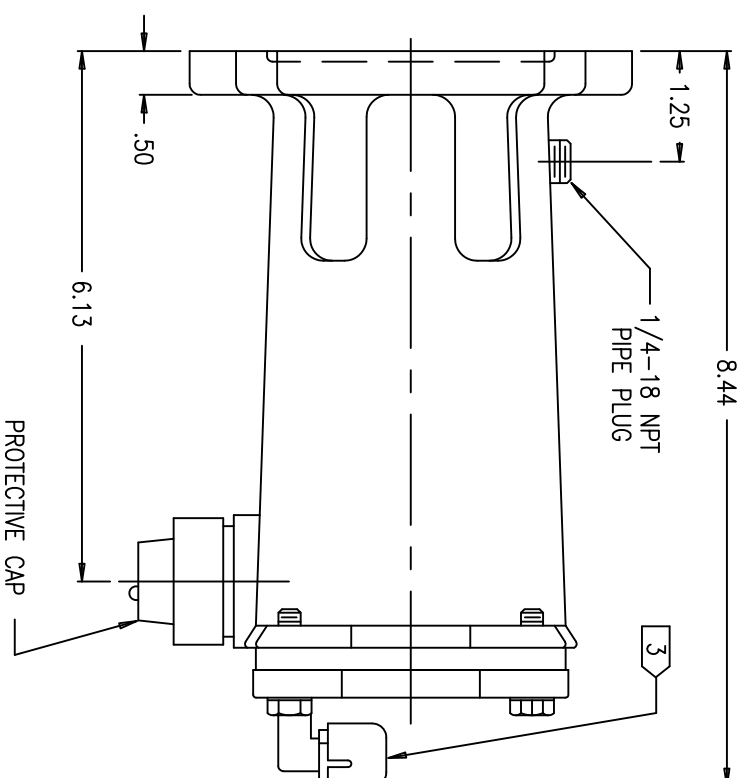
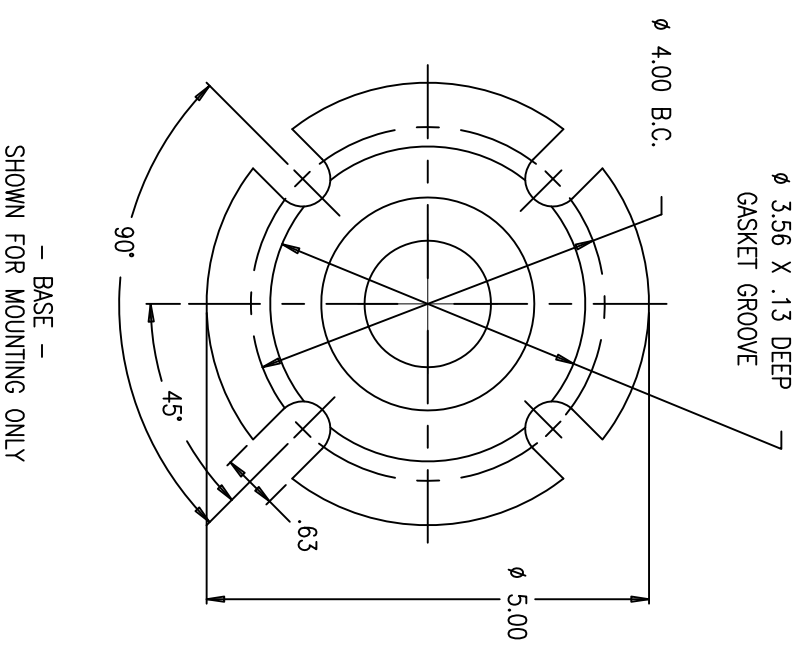


NOTICE
THIS DRAWING IS THE PROPERTY OF Qualitrol Company, LLC AND IS LOANED ONLY ON THE CONDITION THAT IT WILL BE USED TO FACILITATE THE PURPOSE FOR WHICH INTENDED AND NOT BE REPRODUCED, COPIED OR OTHERWISE DISPOSED OF, AND IS NOT TO BE USED IN WHOLE OR PART FOR FURNISHING INFORMATION RELATIVE TO THE MAKING OF DRAWINGS, PARTS OR APPARATUS OR PARTS THEREOF, EXCEPT BY WRITTEN ORDER FROM Qualitrol Company, LLC.

MODEL NO.

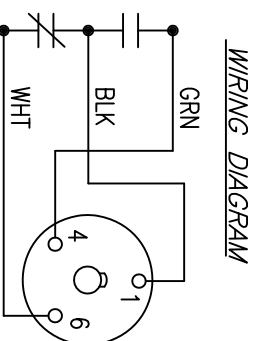
910-010

- NOTES:
1. MEETS QUALITROL PRODUCT PERFORMANCE SPECIFICATION PPS-9.
 2. FOR GAS SPACE INSTALLATION ONLY.
 3. UNIT MUST BE MOUNTED HORIZONTALLY WITH VENT UP AS SHOWN.



SWITCH RATINGS

15 AMP @ 125, 250, 480 VAC
 .5 AMP @ 125 VDC - NON-INDUCTIVE
 .25 AMP @ 250 VDC - NON-INDUCTIVE



REVISION	MODEL NUMBER	LOW TEMP. TEST	CONN ASSY	CABLE LG.	REMARKS
26330 11-13-07	910-010-33	—	—	—	
26330 11-13-07	910-010-35	-55° C	—	—	
26330 11-13-07	910-010-63	—	—	—	INCLUDES ADD'L VENT
31778 10-1-13	910-010-64	—	YES	48.00"	INCLUDES ADD'L VENT

TITLE: RAPID PRESSURE RISE RELAY
 (GAS)

MODEL NO. 910-010

QUALITROL
 DIMENSIONS AND TOLERANCES IN ACCORDANCE WITH ASME Y14.5M-1994

PH. (585) 586-1515
 FAX (585) 377-0220
 1385 FAIRPORT ROAD
 FAIRPORT, NY 14450
 FORM 0-473 REV. F 04/06/06