

Technical specification FC 756 T - 2.2 kW at 15°C (single speed)

Single speed 6 pole (900 opm.) – 400/3/50

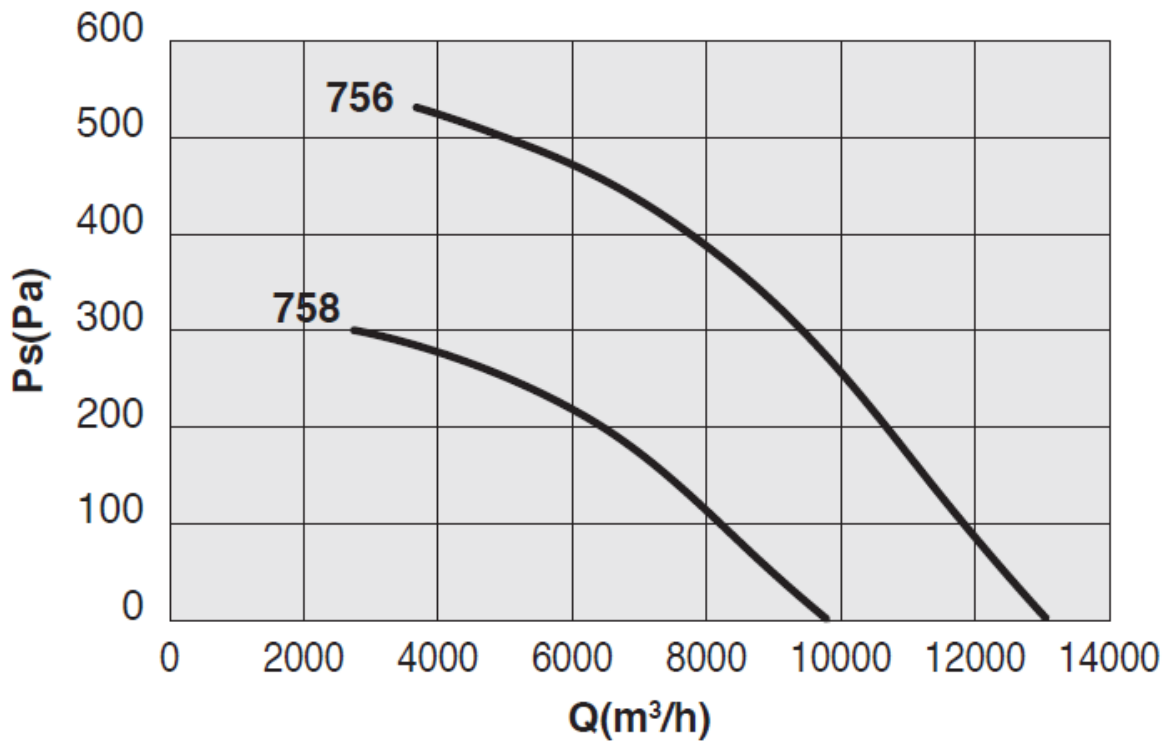
Model	Capacity max. (m ³ /h)	100 Pa m ³ /h	200 Pa m ³ /h	300 Pa m ³ /h	Pressure max. (Pa stat.)	Motor (kW)	In max. (A)
756 T	13.000	11.900	10.600	9.300	530	2,20	5,45

Be aware:

The sound value is free field measured with connected in- and outlet. Real sound depends on the way the unit is installed (reflection and installation vibration etc). Sound is always an indication and for comparison reason only.

Specification conform ISO 13348:2007. **All (motor) data must be checked on the fan and motor label when delivered.**

Fan curve FC 756 T - 2.2 kW at 15°C (single speed)



Technical specification FC 756 T - 2.2 kW at 15°C (double speed)

Double speed 6/8 pole (940/700 opm.) – 400/3/50

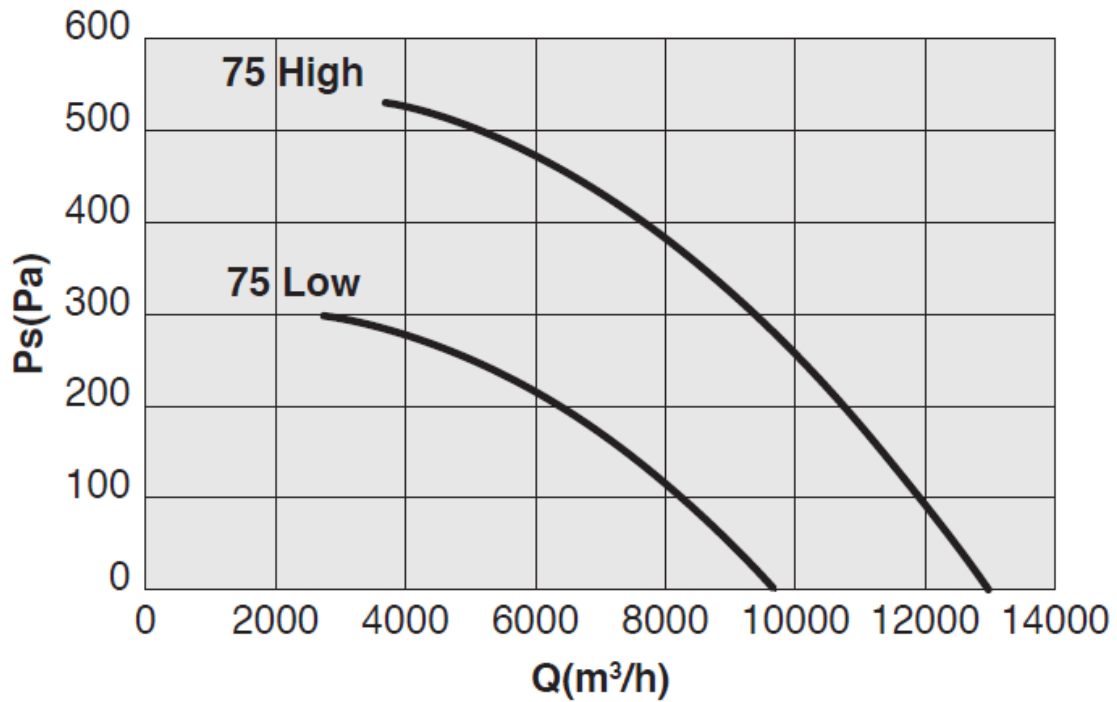
Model	Capacity max. (m ³ /h)	100 Pa m ³ /h	200 Pa m ³ /h	300 Pa m ³ /h	Pressure max. (Pa stat.)	Motor (kW)	In max. (A)
756 T – 2V	13.000	11.900	10.600	9.300	530	2,20	6,00

Be aware:

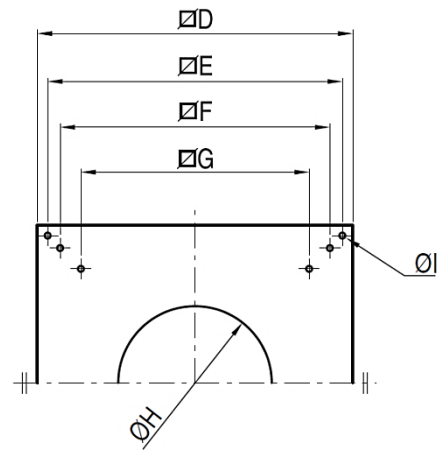
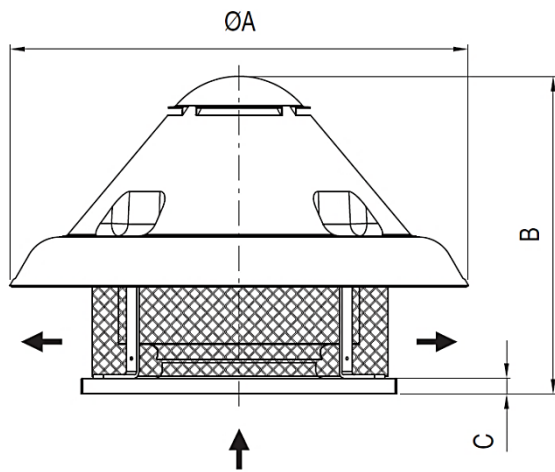
The sound value is free field measured with connected in- and outlet. Real sound depends on the way the unit is installed (reflection and installation vibration etc). Sound is always an indication and for comparison reason only.

Specification conform ISO 13348:2007. **All (motor) data must be checked on the fan and motor label when delivered.**

Fan curve FC 756 T - 2.2 kW at 15°C (double speed)



Measurements, FC 756 T - 2.2 kW



	ϕA	B	C	D	E	F	G	ϕH	ϕI
25	600	500	38	400	360	-	257	180	12
31	600	510	38	400	360	-	307	220	12
35	755	580	38	500	450	-	380	270	12
40	910	640	38	650	600	530	471	296	12
45	910	650	38	650	600	530	471	296	12
50	1000	750	38	760	710	650	550	320	14
56	1000	750	38	760	710	650	550	370	14
63	1100	850	38	930	870	775	665	430	14
75	1100	880	38	930	870	775	665	480	14
80	1100	880	38	930	870	775	665	530	14