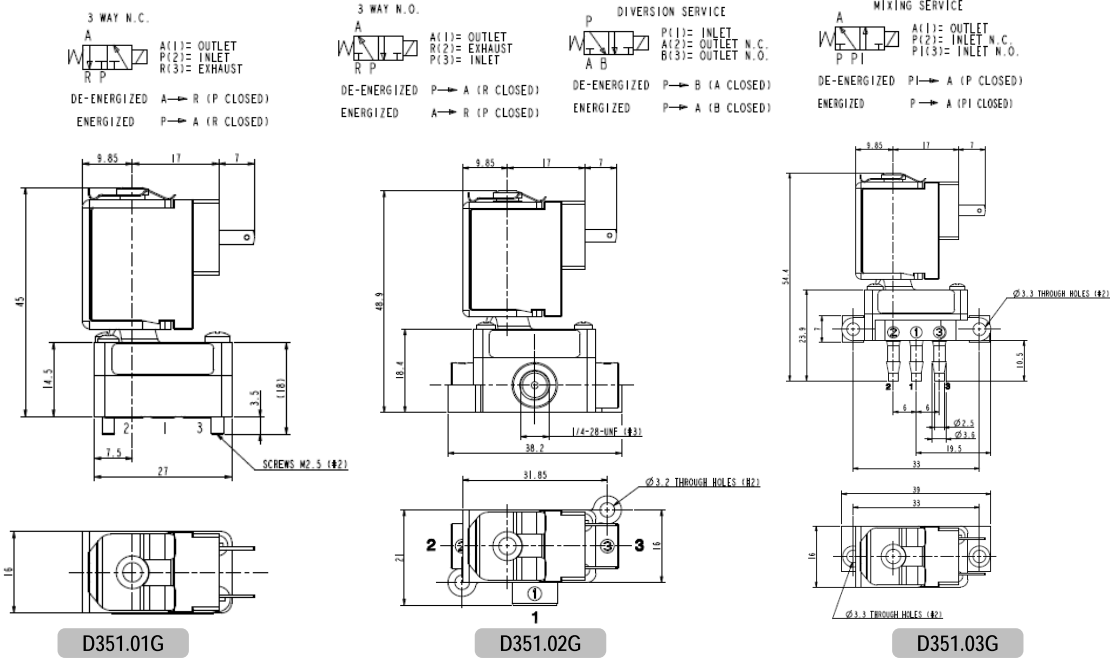




MICRO SOLENOID VALVE - DRY
3/2 - UF (Universal function)
Direct acting - Total isolation
Sub-base – ¼-28 UNF – Barbed ports

D351



► **GENERAL FEATURES**

Total isolation micro solenoid valve: the actuator is totally isolated from the fluid so that the wetted parts are just the body and the diaphragm.
 Reduced internal volume: 67µl. Possibility of disassembling for inspection.
 The parts subject to sliding friction are duly coated by PTFE (polytetrafluoroethylene) based self lubricating material.
 Suitable to shut off liquid and gaseous fluids (verify the compatibility of fluid with materials in contact).

► **TECHNICAL FEATURES**

Maximum allowable pressure (PS) 3 bar
Opening time ~20ms
 ~ 30ms (EPDM)
 ~ 60ms (FPM)
 ~ 90ms (FFPM)
Closing time
 ~ 60ms (FPM)
 ~ 90ms (FFPM)
Fluid temperature -10°C +80°C
Max viscosity 5°E (~37 cStokes or mm²/s)

► **MATERIALS IN CONTACT WITH FLUID**

Body PEEK (Polyketones)
Sealing EPDM or FPM or FFPM

► **COIL**

Continuous duty ED 100%
Encapsulation material PA (polyamide) fiberglass reinforced
Yoke External in zinc plated steel
Insulation class F (155°C)
Ambient temperature -10°C +60 °C
Electric connections DIN 46340 with micro plug connector
Protection degree IP 65 (EN 60529) with micro plug connector
Voltages DC 12-24V (+10% -5%)
 (Other voltages on request)

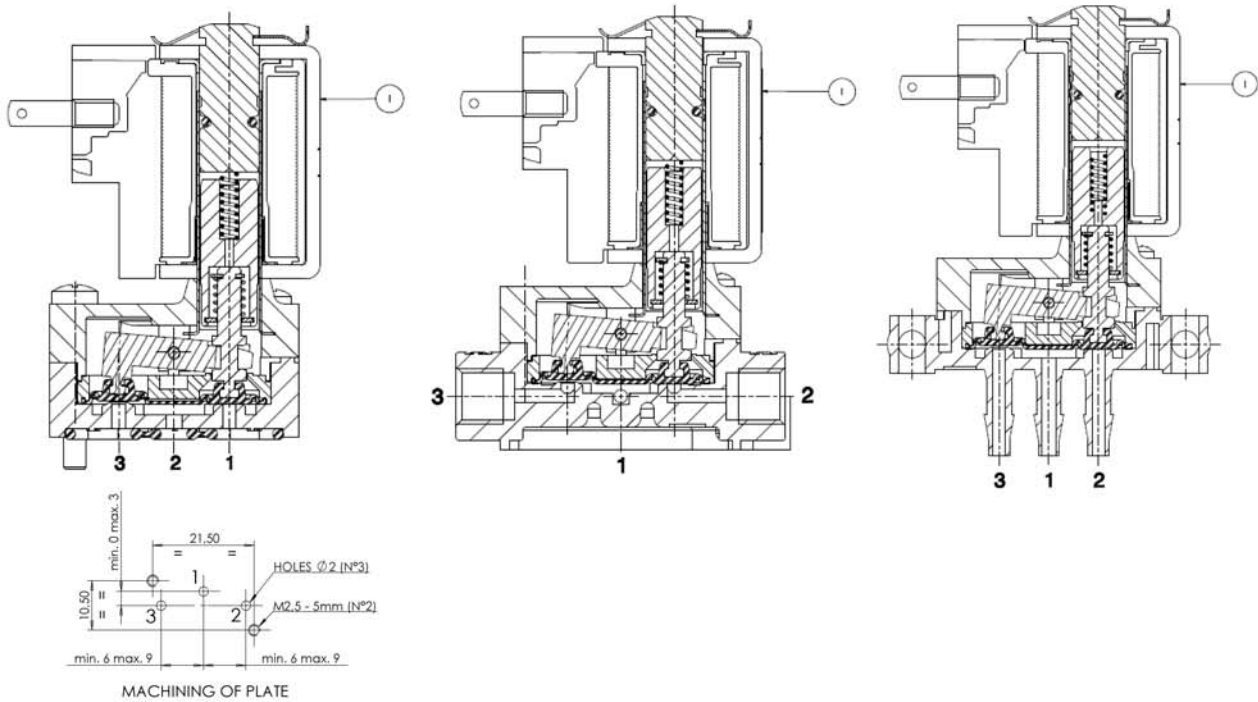
Port size	Orifice size (mm)	Differential pressure (bar)				Kv (m ³ /h)	Series and type		Power absorption			Sealings	Notes	Weight (kg)												
		Δp min	Δp max		Valve		Coil	AC (VA)		DC (W)																
			Gases	Liquids				Inrush	Holding																	
Sub-base	1,5	0	-	2,4	-	2,4	0,03	ZE30A	-	-	4	EPDM	1	0,040												
												FPM														
												FFPM														
¼-28 UNF																								EPDM	-	0,043
																								FPM		
																								FFPM		
Barbed ports																								EPDM	1	0,040
												FPM														
												FFPM														

► **NOTES**

- Sealings: EPDM = Ethylene-propylene elastomer FPM = Fluoro-carbon elastomer FFPM = Perfluorate elastomer
 - For use in vacuum applications, ask for details.
 1 - Model available on request only; ask for minimum quantity.

D351

► SPARE PARTS



Kit description

Coil

Kit P.N.

ZE30A

Consisting of:

Coil pos. 1

► MOUNTING

- Solenoid valve can be mounted in any position.
- Valves delivered with sealing O-rings.
- M2,5 screws for sub-base mountings have to be tightened at torque between 0,8 and 1,2 Nm.

THE VALIDITY OF REPORTED DATA IS REFERRED TO THE DATE OF ISSUE. POSSIBLE UPDATES ARE AVAILABLE ON REQUEST.