

**HEMOMATIK
SWEDEN**

Scale
1:1

Liquid level switch

Art.no.
MFS9-N2-2

NO or NC, turn switch for

Drawing no.
MFS9N22_data

Rev.
0

Approved

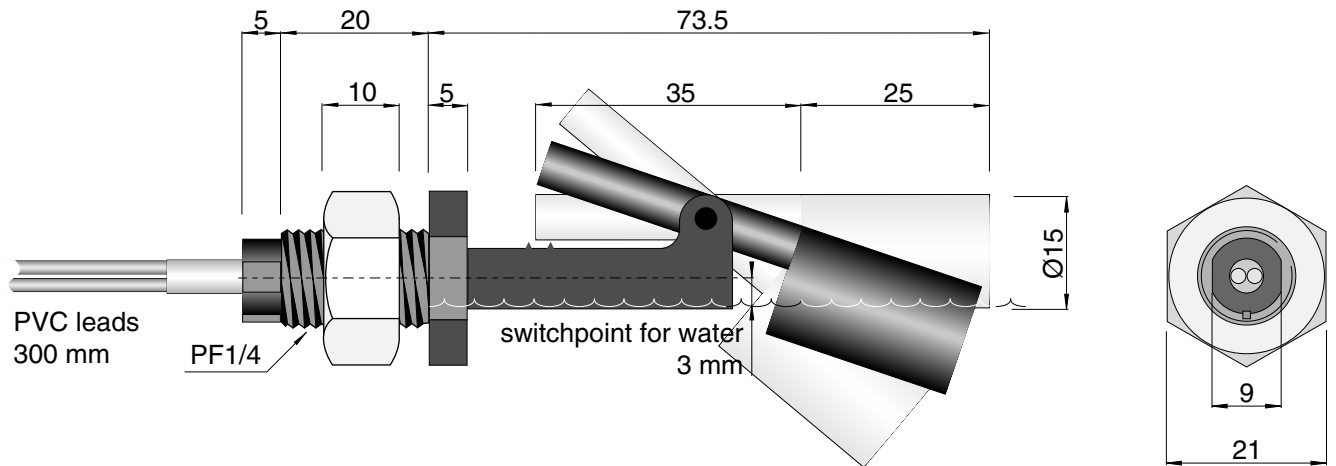
reverse action

Date
050127

Sign.
MEM

Rev.date
X

Art.group



Fitting	NYLON 6
Float	NYLON 6
max. temp	110°C
Contact rating*	50 VA
max voltage	50V AC/DC
max current	0,5 A

*= resistiv load