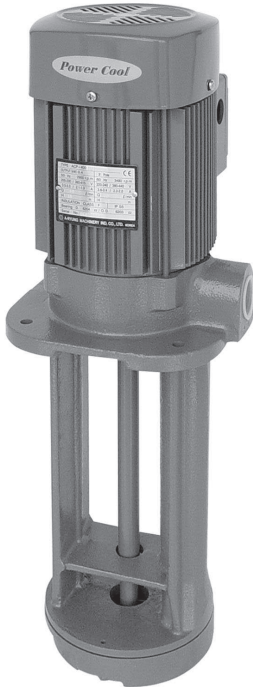


# Coolant pumps

## ACP-HF Series



ACP - 400 HF 18

- Motor Out-put  
모터 출력 (W)
- Pump Type  
펌프 형식
- Depth of immersion  
침수깊이
- 18 : 180mm
- 19 : 190mm
- 25 : 250mm
- 28 : 280mm

- ACP-HF Type은 다소 양정이 요구되는 공작기계에 사용되는 침수식 펌프로써 별도의 오일마중이 필요치 않고, Mechanical-seal이 적용되지 않아 공회전에 의한 고장발생이 없으며, 외관이 콤팩트하여 범용 공작기계에 널리 사용 된다.
- ACP-HF series is used in machine tools needed higher lift-up than ACP-F type. It has little idle working trouble because of no mechanical seal. It is compact design and widely used in general machine tools.

TYPE	PUMP				MOTOR				Weight (kg)
	Discharge volume (ℓ/min)	Head (m)	In-let & Out-Let (PS)	Immersion depth (mm)	Out-put (W)	Frequency (Hz)	Voltage (V)	Current (A)	
180HF 18/25	20	8	1/2 "	180/250	180	50	200/380/415	1.1/0.64/0.58	11/12
		12				60	220/380/440	1.2/0.7/0.65	
250HF 18/25	20	9	3/4 "	180/250	250	50	200/380/415	1.6/0.93/0.85	12/13
		13				60	220/380/440	1.7/0.98/0.92	
400HF 18/28	40	10	1 "	180/280	400	50	200/380/415	2.6/1.50/1.4	18/19.5
		15				60	220/380/440	2.7/1.60/1.5	
600HF 18/28	60	10	1 "	180/280	600	50	200/380/415	3/1.7/1.6	19/20
		15				60	220/380/440	3.2/1.9/1.7	
750HF 19/25	80	10	1 "	190/250	750	50	200/380/415	3.62/1.91/1.74	21/22
		15				60	220/380/440	3.95/2.29/1.98	
900HF 19/25	100	10	1 "	190/250	900	50	200/380/415	4.3/2.4/2.1	23
1100HF 19/25	100	12	1 "	190/250	1100	50	200/380/415	4.4/2.5/2.3	24/25
		19							

### ■ 보호등급 (Enclosure class)

- IP44 : ACP-180HF, 250HF, 400HF(IP54:OPTION), 600HF(IP54:OPTION)
- IP54 : ACP-750HF, 900HF, 1100HF

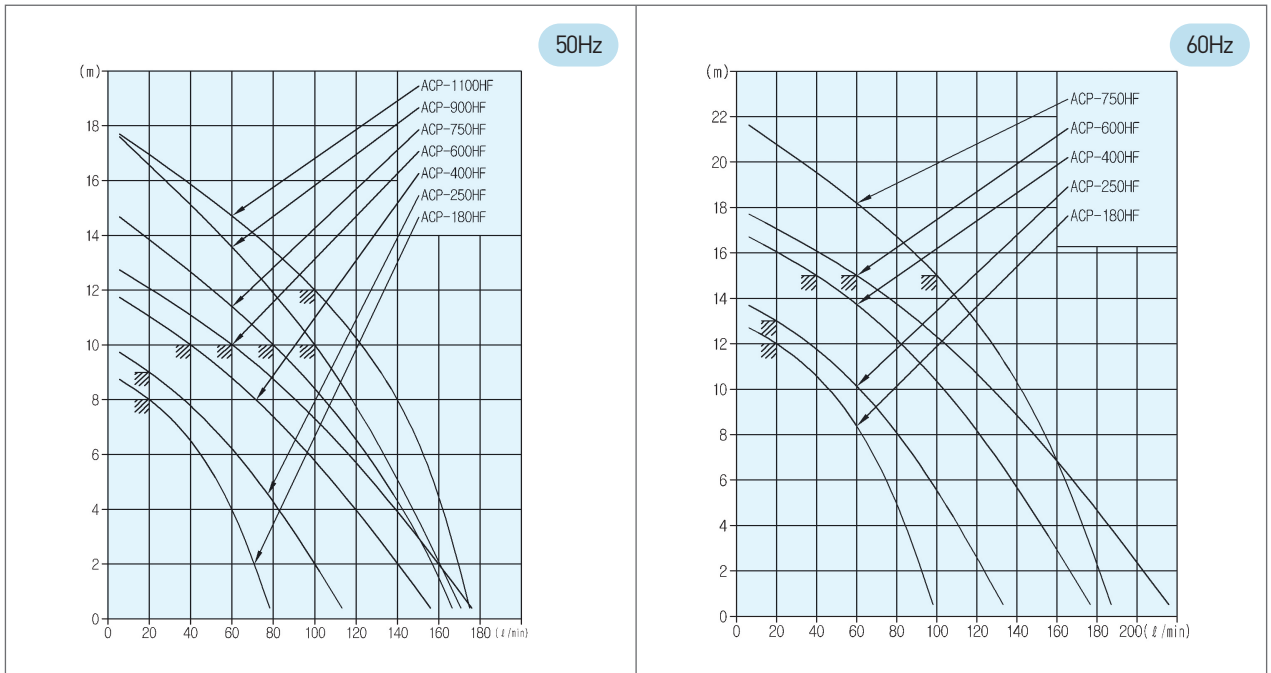
### ■ 절연계급 (Insulation class)

- B : ACP-180HF, 250HF
- F : ACP-400HF, 600HF, 750HF, 900HF, 1100HF

※ 상기 표에 있는 정격전압(220V/380V)은 표준 사양임. 그 외 전압에 따른 사양은 주문생산이 가능하므로 문의바랍니다.

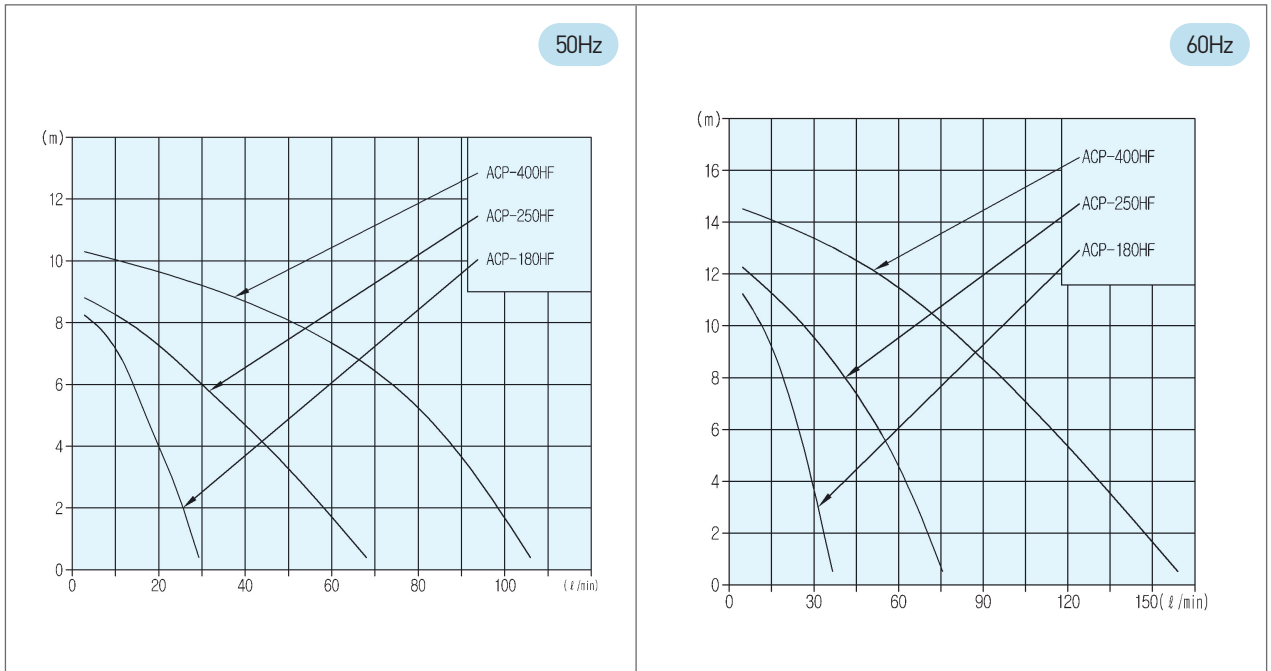
※ Rated voltage in above table is standard specifications. Other voltage specifications can be manufactured by buyer's demands. Contact us first.

Performance range (Solubility in Water) 성능 곡선 (수용성 절삭유)



※위 Data는 유온 40°C, 점도 2cSt에서 작성 되었다. (Above data was tested in the viscosity 2cSt, oil temperature. 40°C.)

Performance range (Unsolubility in Water) 성능 곡선 (비용성 절삭유)

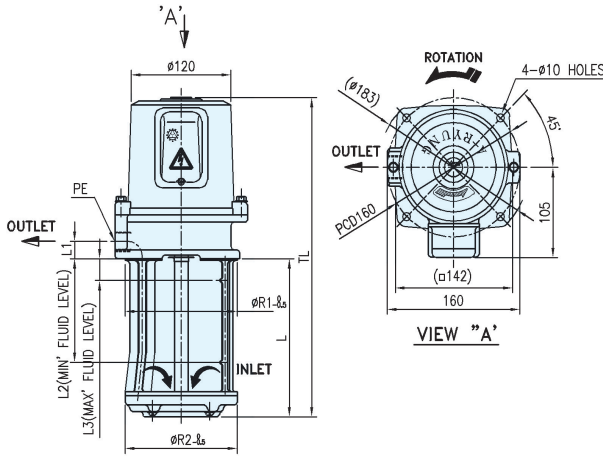


※위 Data는 유온 40°C, 점도 10cSt에서 작성 되었다. (Above data was tested in the viscosity 10cSt, oil temperature. 40°C.)

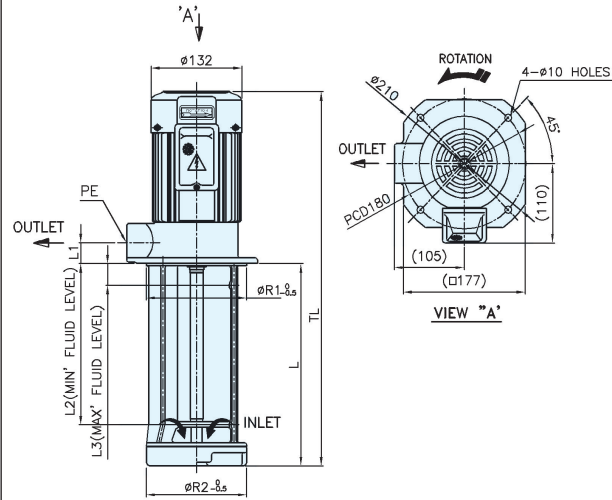
# Coolant pumps

## External dimensions 외형도

■ 180HF 18/25, 250HF, 18/25



■ 400HF 18/28, 600HF, 18/28, 750HF 19/25  
900HF 19/25, 1100HF 19/25



TYPE	L	L1	L2	L3	TL	ØR1	ØR2	PE
180HF 18	180		119		365	134	134	PS 1/2"
180HF 25	250	25	189	25	435	134	134	PS 1/2"
250HF 18	180		119		365	134	134	PS 3/4"
250HF 25	250	25	189	25	435	134	134	PS 3/4"
400HF 18	180		110	20	420	152	146	PS 1"
400HF 28	280	29	209	30	520	152	146	PS 1"
600HF 18	180		110	20	433	152	146	PS 1"
600HF 28	280	30	209	30	533	152	146	PS 1"
750HF 19	190		112	20	464	165	165	PS 1"
750HF 25	250	30	172	20	524	165	165	PS 1"
900HF 19	190		112	20	488	165	165	PS 1"
900HF 25	250	30	172	20	548	165	165	PS 1"
1100HF 19	190		112	20	503	165	165	PS 1"
1100HF 25	250	30	172	20	563	165	165	PS 1"

### ● 적용 Applications

- 사용유체 Type of fluid : Water/Coolant, Cutting oil, Grinding oil
- 사용점도 Viscosity : 1~32cSt이하
- 사용온도 Temperature : 80°C이하

### ● Material 재질

- Motor frame : ALDC
- Pump body : Cast iron
- Casing : Cast iron
- Impeller : Powder ACP-400HF, 600HF, 750HF  
Bronze ACP-180HF, 250HF, 900HF, 1100HF
- Shaft : Steel