

ADH & ADHT Series

High Temperature Air Duct Heaters

- 5 - 300 kW
- 240 and 480 Volt, Three Phase (Up to 600V Available)
- INCOLOY® Sheath Elements
- 800°F Max. Outlet Air Temp. (ADH)
- 1200°F Max. Outlet Air Temp. (ADHT)

Applications

- Heat Air for Drying and Curing operations up to 1200°F Air Temperature
- Heat Treating
- Reheating or Dehumidification
- Aircraft Manufacturing
- Autoclaves
- Annealing
- Drying
- Paint Baking or Drying
- Sterilizing

Features

Long Life Metal Sheath Tubular Elements — High grade INCOLOY® sheath material for excellent corrosion/oxidation resistance at high operating temperatures.

Sturdy Metal Sheath Elements minimize problems associated with open coil resistance wire units.

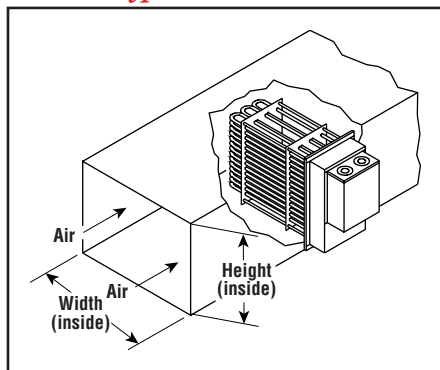
High Purity Magnesium Oxide — The elements are filled with highest purity blends of magnesium oxide refractory (MgO) compacted to a rock hard density to ensure good thermal conductivity and electrical insulation resistance.

Superior Grade Resistance Wire — The heart of each heating element is made of high quality resistance wire for maximum life.

Low Watt Density Resistor Wire — Watt density on the heating coil is designed for low watt density operation by increasing the coil and wire diameter, and length of resistance wire to give maximum surface area and low operating coil surface temperature — providing longer coil life.



ADH — Typical Installation



Superior Construction at Element Bends — All element bends are repressed in hydraulic presses after bending to assure recompaction of refractory material to eliminate hot spots and electrical insulation voids.

Low Wiring Compartment Temperatures — Made possible by the addition of a one inch thick blanket of insulation in the terminal box. High temperature ADHT units include an additional three inches of insulation to help reduce duct heat losses.

Meets NEC Wiring Requirements — Heaters are subdivided into 48 Amp maximum circuits in compliance with the National Electrical Code.

Easy Access to Field Wiring Terminals — Terminal housing is completely removable for maximum access to field wiring terminals. Individual terminal blocks with threaded stud type terminals are provided for each circuit to permit quick positive attachment of circuit wiring conductors.

Dirt & Dust Resistant Terminal Housing — Made of solid heavy gauge aluminized steel, rather than perforated metal, to resist dirt and dust accumulation on the electrical connections and thus provide longer service life.

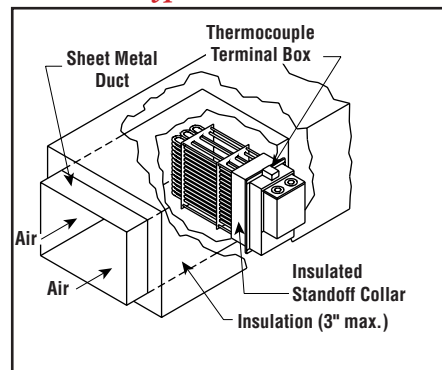
Flange Mounting Gasket — Packed separately with each duct heater to minimize air leakage between the flange and air duct.

Tandem Mounting — Multiple heaters may be mounted in tandem with each other provided the maximum recommended outlet air temperature is not exceeded.

Element Support Plate — A stainless steel element support plate is held in place with



ADHT — Typical Installation



Stainless Steel support rods to provide structural stability.

Pressure Drop — See Pressure Drop Curve G-227-2 under Air & Gas Data in the Technical section of this catalog.

Options

Gas Tight Design — Threaded fittings with fiber washers attach heating elements to flange — prevents leakage of ducted air into terminal housing.

Overtemperature Protection — Thermocouple welded to the element sheath surface and wired to a terminal block allows for accurate overheat protection. Standard Type K thermocouple on ADHT high temperature heaters.

Thermocouple Sensor for air temperature control.

Moisture or Explosion-Resistant Terminal Enclosures are available for those applications requiring special terminal protection.

CAUTION — If atmosphere in duct contains combustible gases or vapors, sheath temperatures must be limited not to exceed 80% of the ignition temperature of the gas or the vapor involved. Check with your Local Chromalox Sales office for recommendations.

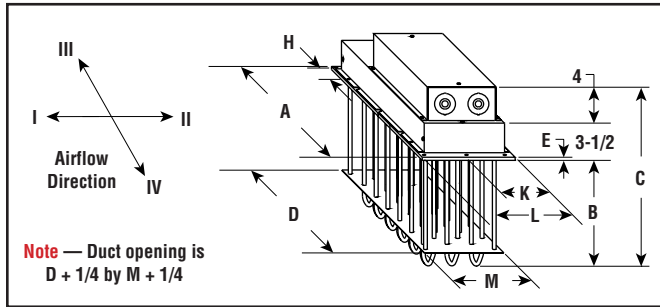
Special Ratings, Sizes or Construction Materials — Chromalox can fabricate a duct heater to your special rating, physical size or other specifications.

Application Assistance — Chromalox will assist you in the design or selection of equipment. Contact your Local Chromalox Sales office.

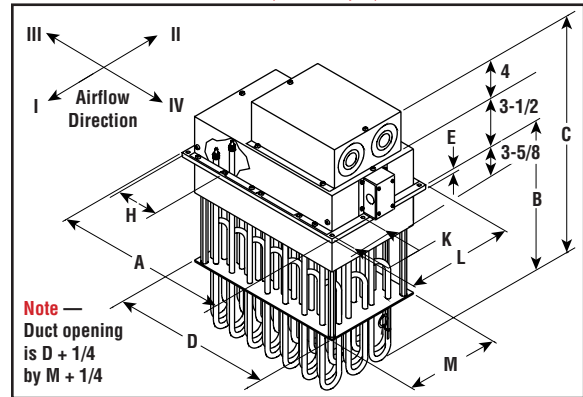
ADH & ADHT Series

High Temperature Air Duct Heaters (cont'd.)

ADH - Dimensions (Inches) (See Dimensional Table)



ADHT - Dimensions (Inches) (See Dimensional Table)



Dimensional Table ADH / ADHT

Cat. No.	Cat. No.	kW	No. Elem.	Dimensions (In.)								
				A	B	C	D	E	H	K	L	M
ADH-005	ADHT-005	5	3	5-5/8	20-3/8	28-1/8	4	1/4	2-1/2	3-1/2	11-1/8	9-1/2
ADH-010	ADHT-010	10	6	7-5/8	20-3/8	28-1/8	6	1/4	3-1/2	3-1/2	11-1/8	9-1/2
ADH-015	ADHT-015	15	9	9-5/8	20-3/8	28-1/8	8	1/4	3	3-1/2	11-1/8	9-1/2
ADH-020	ADHT-020	20	12	11-5/8	20-3/8	28-1/8	10	1/4	2-3/4	3-1/2	11-1/8	9-1/2
ADH-025	ADHT-025	25	15	13-5/8	20-3/8	28-1/8	12	1/4	3-1/4	3-1/2	11-1/8	9-1/2
ADH-030	ADHT-030	30	18	15-5/8	20-3/8	28-1/4	14	3/8	3-3/4	3-1/2	11-1/8	9-1/2
ADH-035	ADHT-035	35	21	17-5/8	20-3/8	28-1/4	16	3/8	4-1/4	3-1/2	11-1/8	9-1/2
ADH-040	ADHT-040	40	24	19-5/8	20-3/8	28-1/4	18	3/8	4-3/4	3-1/2	11-1/8	9-1/2
ADH-045	ADHT-045	45	27	21-5/8	20-3/8	28-1/4	20	3/8	5-1/4	3-1/2	11-1/8	9-1/2
ADH-050	ADHT-050	50	30	23-5/8	20-3/8	28-1/4	22	3/8	5-3/4	3-1/2	11-1/8	9-1/2
ADH-060	ADHT-060	60	36	27-5/8	20-3/8	28-1/4	26	3/8	4-1/2	3-1/2	11-1/8	9-1/2
ADH-070	ADHT-070	70	42	31-5/8	20-1/8	28-1/4	30	3/8	3-7/8	3-1/2	11-1/8	9-1/2
ADH-080	ADHT-080	80	48	35-5/8	20-3/8	28-1/4	34	3/8	4-3/8	3-1/2	11-1/8	9-1/2
ADH-090	ADHT-090	90	54	39-5/8	20-3/8	28-1/4	38	3/8	4-7/8	3-1/2	11-1/8	9-1/2
ADH-100	ADHT-100	100	60	43-5/8	20-3/8	28-1/4	42	3/8	5-3/8	3-1/2	11-1/8	9-1/2
-	ADHT-120	120	48	35-5/8	35	42-7/8	26	3/8	4-1/2	3-1/2	11-1/8	9-1/2
ADH-126	-	126	42	31-5/8	35	42-7/8	30	3/8	3-7/8	3-1/2	11-1/8	9-1/2
ADH-144	-	144	48	35-5/8	35	42-7/8	34	3/8	4-3/8	3-1/2	11-1/8	9-1/2
-	ADHT-160	160	48	35-5/8	35	42-7/8	34	3/8	4-3/8	3-1/2	11-1/8	9-1/2
ADH-162	-	162	54	39-5/8	35	42-7/8	38	3/8	4-7/8	3-1/2	11-1/8	9-1/2
-	ADHT-180	180	54	39-5/8	35	42-7/8	38	3/8	4-7/8	3-1/2	11-1/8	9-1/2
ADH-216	-	216	72	27-5/8	35	42-7/8	26	3/8	4-1/2	3-7/8	20	18-3/8
-	ADHT-240	240	72	27-5/8	35	42-7/8	26	3/8	4-1/2	3-7/8	20	18-3/8
ADH-270	-	270	90	33-5/8	35	42-7/8	32	3/8	5-1/2	3-7/8	20	18-3/8
-	ADHT-300	300	90	33-5/8	35	42-7/8	32	3/8	5-1/2	3-7/8	20	18-3/8

All Heaters can be mounted in any position; top, side or bottom entry. In high ambient temperature operations, least corrosive action and least oxidation to the terminals will occur if heaters are mounted with terminals in the coolest possible ambient, usually on bottom or side of duct. Minimum duct size is A or L dimension plus 3/8" and B dimension plus 1-5/8", and 3" for insulation housing.

For selecting the proper control panel for use with the ADH and ADHT duct heaters, the number of circuits is of crucial importance. The Electrical table, at right, should be used for the purpose of determining the number of circuits in the panel.

Field Wiring — Refer to Graph ADHTB Terminal Box Temperature field wiring selection guide in the technical section of this catalog.

Gas tight construction should be considered if the gas pressure in the duct is at a higher relative pressure than in the terminal box which is at room air pressure. Refer to ADH/ADHT terminal box temperature and field wiring selection guide showing the temperature in the terminal box at various gas outlet temperatures. This guide is graph ADHTB located in the Air and Gas Heating section in the technical pages in the back of the catalog.

Electrical Table for ADH and ADHT Duct heaters

KW	No. Elements	Number of Circuits			
		240V 1 Ph	240V 3 Ph	480V 1 Ph	480V 3 Ph
5	3	1	1	1	1
10	6	1	1	1	1
15	9	3	1	1	1
20	12	2	2	1	1
25	15	3	2	2	1
30	18	3	2	3	1
35	21	X	3	2	1
40	24	X	3	2	2
45	27	X	3	3	2
50	30	X	5	3	2
60	36	X	X	X	2
70	42	X	X	X	4
80	48	X	X	X	4
90	54	X	X	X	5
100	60	X	X	X	5
120	36	X	X	X	4
126	42	X	X	X	4
144	48	X	X	X	4
160	48	X	X	X	8
162	54	X	X	X	6
180	54	X	X	X	6
216	72	X	X	X	6
240	72	X	X	X	8
270	90	X	X	X	8
300	90	X	X	X	10

All standard circuits are maximum of 48 Amps
For other # of circuits/amps per circuit consult factory
X denotes not standard

AIR DUCT

ADH

High Temperature Air Duct Heaters

- 5 - 270 kW
- 240 and 480 Volt, Three Phase (Up to 600V Available)
- INCOLOY® Sheath Elements
- 30 W/In²
- 800°F Max. Outlet Air Temp.

Type ADH

Construction

Rugged Construction Elements — Sturdy 0.475" diameter INCOLOY® sheath tubular elements are mounted to a heavy 1/4 or 3/8" thick steel flange. Element fasteners allow for easy replacement.

Corrosion-Resistant Terminal Enclosure — The element terminal enclosure is made of 16 gauge high-temperature, corrosion-resistant steel and includes 1" thick high-temperature insulation to minimize temperatures in the wiring area.

Wiring Box — The 16 gauge wiring box encloses individual terminal blocks for each circuit. Threaded stud type terminals are provided to permit quick positive attachment of circuit wiring conductors.

Mounting

All Heaters can be mounted in any position; top, side or bottom entry. In high ambient temperature operations, least corrosive action and least oxidation to the terminals will occur if heaters are mounted with terminals in the coolest possible ambient, usually on bottom or side of duct. Minimum duct size is A or L dimension plus 3/8" and B dimension plus 1-5/8".

Application & Selection Guidelines

Maximum Work Temperatures — Type ADH heaters can generally be used at the following maximum temperatures, provided the minimum air velocity is maintained uniformly through the heater.

Air Velocity (Ft./Sec.)	Max. Outlet Air Temp. (°F)
4 - 36	800

Note — Maximum temperatures are based on 30 W/In². If elements have a lower watt density, work temperature may be increased; if watt density is higher, work temperature should be lower.

Note — An airflow type switch or other device is recommended to protect against loss of airflow.

Note — See Allowable Watt Density & Heater Selection Graphs in the Technical section of this catalog.

Basic Model				Includes Thermocouple			Includes Gas Tight Fittings			Includes Thermocouple & Ftgs.		
Volts KW Phase	Model	PCN	SS	Model	PCN	SS	Model	PCN	SS	Model	PCN	SS
240V 5KW 1PH	ADH-005	210673	AS	ADH-005T	214770	AS	ADH-005F	215212	AS	ADH-005FT	215634	AS
240V 5KW 3PH	ADH-005	210681	AS	ADH-005T	214789	AS	ADH-005F	215220	AS	ADH-005FT	215642	AS
480V 5KW 1PH	ADH-005	210690	AS	ADH-005T	214797	AS	ADH-005F	215239	AS	ADH-005FT	215650	AS
480V 5KW 3PH	ADH-005	210016	AS	ADH-005T	214800	AS	ADH-005F	215247	AS	ADH-005FT	215669	AS
240V 10KW 1PH	ADH-010	210702	AS	ADH-010T	214818	AS	ADH-010F	215255	AS	ADH-010FT	215677	AS
240V 10KW 3PH	ADH-010	210710	AS	ADH-010T	214826	AS	ADH-010F	215263	AS	ADH-010FT	215685	AS
480V 10KW 1PH	ADH-010	210729	AS	ADH-010T	214834	AS	ADH-010F	215271	AS	ADH-010FT	215693	AS
480V 10KW 3PH	ADH-010	210024	AS	ADH-010T	214842	AS	ADH-010F	215280	AS	ADH-010FT	215706	AS
240V 15KW 1PH	ADH-015	210737	AS	ADH-015T	214850	AS	ADH-015F	215298	AS	ADH-015FT	215714	AS
240V 15KW 3PH	ADH-015	210745	AS	ADH-015T	214869	AS	ADH-015F	215300	AS	ADH-015FT	215722	AS
480V 15KW 1PH	ADH-015	210753	AS	ADH-015T	214877	AS	ADH-015F	215319	AS	ADH-015FT	215730	AS
480V 15KW 3PH	ADH-015	210032	AS	ADH-015T	214885	AS	ADH-015F	215327	AS	ADH-015FT	215749	AS
240V 20KW 1PH	ADH-020	210761	AS	ADH-020T	214893	AS	ADH-020F	215335	AS	ADH-020FT	215757	AS
240V 20KW 3PH	ADH-020	210788	AS	ADH-020T	214906	AS	ADH-020F	215343	AS	ADH-020FT	215765	AS
480V 20KW 1PH	ADH-020	210796	AS	ADH-020T	214914	AS	ADH-020F	215351	AS	ADH-020FT	215773	AS
480V 20KW 3PH	ADH-020	210040	ST	ADH-020T	214922	AS	ADH-020F	215360	AS	ADH-020FT	215781	AS
240V 25KW 1PH	ADH-025	210809	ST	ADH-025T	214930	AS	ADH-025F	215378	AS	ADH-025FT	215790	AS
240V 25KW 3PH	ADH-025	210817	AS	ADH-025T	214949	AS	ADH-025F	215386	AS	ADH-025FT	215802	AS
480V 25KW 1PH	ADH-025	210825	AS	ADH-025T	214957	AS	ADH-025F	215394	AS	ADH-025FT	215810	AS
480V 25KW 3PH	ADH-025	210059	AS	ADH-025T	214965	AS	ADH-025F	215407	AS	ADH-025FT	215829	AS
240V 30KW 1PH	ADH-030	210833	AS	ADH-030T	214973	AS	ADH-030F	215415	AS	ADH-030FT	215837	AS
240V 30KW 3PH	ADH-030	210841	AS	ADH-030T	214981	AS	ADH-030F	215423	AS	ADH-030FT	215845	AS
480V 30KW 1PH	ADH-030	210850	AS	ADH-030T	214990	AS	ADH-030F	215431	AS	ADH-030FT	215855	AS
480V 30KW 3PH	ADH-030	210067	AS	ADH-030T	215001	AS	ADH-030F	215440	AS	ADH-030FT	215861	AS
240V 35KW 3PH	ADH-035	210868	AS	ADH-035T	215036	AS	ADH-035F	215458	AS	ADH-035FT	215870	AS
480V 35KW 1PH	ADH-035	210876	AS	ADH-035T	215044	AS	ADH-035F	215466	AS	ADH-035FT	215888	AS
480V 35KW 3PH	ADH-035	210075	AS	ADH-035T	215052	AS	ADH-035F	215474	AS	ADH-035FT	215896	AS
240V 40KW 3PH	ADH-040	210884	AS	ADH-040T	215060	AS	ADH-040F	215482	AS	ADH-040FT	215909	AS
480V 40KW 1PH	ADH-040	210892	AS	ADH-040T	215079	AS	ADH-040F	215490	AS	ADH-040FT	215917	AS
480V 40KW 3PH	ADH-040	210083	AS	ADH-040T	215087	AS	ADH-040F	215503	AS	ADH-040FT	215925	AS
240V 45KW 3PH	ADH-045	210905	AS	ADH-045T	215095	AS	ADH-045F	215511	AS	ADH-045FT	215933	AS
480V 45KW 1PH	ADH-045	210913	AS	ADH-045T	215108	AS	ADH-045F	215520	AS	ADH-045FT	215941	AS
480V 45KW 3PH	ADH-045	210091	AS	ADH-045T	215116	AS	ADH-045F	215538	AS	ADH-045FT	215950	AS
240V 50KW 3PH	ADH-050	210921	AS	ADH-050T	215124	AS	ADH-050F	215546	AS	ADH-050FT	215968	AS
480V 50KW 1PH	ADH-050	210930	AS	ADH-050T	215132	AS	ADH-050F	215554	AS	ADH-050FT	215976	AS
480V 50KW 3PH	ADH-050	210104	AS	ADH-050T	215140	AS	ADH-050F	215562	AS	ADH-050FT	215984	AS
480V 60KW 3PH	ADH-060	210112	AS	ADH-060T	215159	AS	ADH-060F	215570	AS	ADH-060FT	215992	AS
480V 70KW 3PH	ADH-070	210948	AS	ADH-070T	215167	AS	ADH-070F	215589	AS	ADH-070FT	216004	AS
480V 80KW 3PH	ADH-080	210120	AS	ADH-080T	215175	AS	ADH-080F	215597	AS	ADH-080FT	216100	AS
480V 90KW 3PH	ADH-090	210139	AS	ADH-090T	215183	AS	ADH-090F	215600	AS	ADH-090FT	216119	AS
480V 100KW 3PH	ADH-100	210147	AS	ADH-100T	215191	AS	ADH-100F	215618	AS	ADH-100FT	216127	AS
480V 126KW 3PH	ADH-126	210956	AS	ADH-126T	215204	AS	ADH-126F	215626	AS	ADH-126FT	216135	AS
480V 144KW 3PH	ADH-144	210155	AS	ADH-144T	216936	AS	ADH-144F	216952	AS	ADH-144FT	216143	AS
480V 162KW 3PH	ADH-162	210163	AS	ADH-162T	216944	AS	ADH-162F	216960	AS	ADH-162FT	216151	AS
480V 216KW 3PH							ADH-216F	210171	AS	ADH-216FT	216928	AS
480V 270KW 3PH							ADH-270F	210180	AS	ADH-270FT	216160	AS

Stock Status: S = stock AS = assembly stock NS = non-stock
To Order—Specify model, PCN, kW and quantity.

ADHT

High Temperature Air Duct Heater

- 5 - 300 kW
- 240 and 480 Volt, Three Phase (Up to 600V Available)
- INCOLOY® Sheath Elements
- 20 W/In²
- 1200°F Max. Outlet Air Temp.
- Insulated Standoff Collar

Type ADHT

Construction

Rugged Construction Elements — Sturdy 0.475" diameter INCOLOY® sheath tubular elements are mounted to a heavy 1/4 or 3/8" thick steel flange. Element fasteners to allow for easy replacement.

Corrosion-Resistant Terminal Enclosure — The element terminal enclosure is made of 16 gauge high-temperature, corrosion-resistant steel and includes 1" thick high-temperature insulation to minimize temperatures in the wiring area.

Wiring Box — The 16 gauge wiring box encloses individual terminal blocks for each circuit. Threaded stud type terminals are provided to permit quick positive attachment of circuit wiring conductors.

Insulation Housing — Includes 3" of high temperature thermal insulation to reduce duct heat conducted into terminal enclosure.

Overtemperature Protection — A type K thermocouple is welded to the element sheath surface to sense element temperature, and is wired to a terminal block located on the outer surface of the terminal housing.

Mounting

Generally mounted to a field fabricated stand off collar from the ductwork to position the heater such that the 3" insulation housing is in the same plane as the duct insulation.

All Heaters can be mounted in any position; top, side or bottom entry. In high ambient temperature operations, least corrosive action and least oxidation to the terminals will occur if heaters are mounted with terminals in the coolest possible ambient, usually on bottom or side of duct. Minimum duct size is A or L dimension plus 3/8" and B dimension plus 1-5/8", and 3" for insulation housing.

Application & Selection Guidelines

Maximum Work Temperatures — Type ADHT heaters can generally be used at the following maximum temperatures, provided the minimum air velocity is maintained uniformly through the heater. Maximum temperatures are based on 20 W/In².

Air Velocity (Ft./Sec.)	Max. Outlet Air Temp. (°F)
4	1050
9	1100
16	1150
25	1200
36	1200

Note — See Allowable Watt Density & Heater Selection Graphs in Technical section.

Note — An airflow type switch or other device is recommended to protect against loss of airflow.

Basic Model				Includes Gas Tight Fittings		
Volts KW Phase	Model	PCN	SS	Model	PCN	SS
240V 5KW 1PH	ADHT-005	216178	AS	ADHT-005F	216450	AS
240V 5KW 3PH	ADHT-005	216186	AS	ADHT-005F	216469	AS
480V 5KW 1PH	ADHT-005	216194	AS	ADHT-005F	216477	AS
480V 5KW 3PH	ADHT-005	210198	AS	ADHT-005F	216485	AS
240V 10KW 1PH	ADHT-010	216215	AS	ADHT-010F	216493	AS
240V 10KW 3PH	ADHT-010	216223	AS	ADHT-010F	216506	AS
480V 10KW 1PH	ADHT-010	216231	AS	ADHT-010F	216549	AS
480V 10KW 3PH	ADHT-010	210200	AS	ADHT-010F	216557	AS
240V 15KW 1PH	ADHT-015	216248	AS	ADHT-015F	216565	AS
240V 15KW 3PH	ADHT-015	216258	AS	ADHT-015F	216573	AS
480V 15KW 1PH	ADHT-015	216266	AS	ADHT-015F	216581	AS
480V 15KW 3PH	ADHT-015	210219	AS	ADHT-015F	216590	AS
240V 20KW 1PH	ADHT-020	216274	AS	ADHT-020F	216602	AS
240V 20KW 3PH	ADHT-020	216282	AS	ADHT-020F	216610	AS
480V 20KW 1PH	ADHT-020	216290	AS	ADHT-020F	216629	AS
480V 20KW 3PH	ADHT-020	210227	AS	ADHT-020F	216637	AS
240V 25KW 1PH	ADHT-025	216303	AS	ADHT-025F	216645	AS
240V 25KW 3PH	ADHT-025	216311	AS	ADHT-025F	216653	AS
480V 25KW 1PH	ADHT-025	216320	AS	ADHT-025F	216661	AS
480V 25KW 3PH	ADHT-025	210235	AS	ADHT-025F	216670	ST
240V 30KW 1PH	ADHT-030	216338	AS	ADHT-030F	216688	AS
240V 30KW 3PH	ADHT-030	216346	AS	ADHT-030F	216696	AS
480V 30KW 1PH	ADHT-030	216354	AS	ADHT-030F	216709	AS
480V 30KW 3PH	ADHT-030	210243	AS	ADHT-030F	216717	AS
240V 35KW 3PH	ADHT-035	216362	AS	ADHT-035F	216725	AS
480V 35KW 1PH	ADHT-035	216370	AS	ADHT-035F	216733	AS
480V 35KW 3PH	ADHT-035	210251	AS	ADHT-035F	216741	AS
240V 40KW 3PH	ADHT-040	216389	AS	ADHT-040F	216750	AS
480V 40KW 1PH	ADHT-040	216397	AS	ADHT-040F	216768	AS
480V 40KW 3PH	ADHT-040	210260	AS	ADHT-040F	216776	AS
240V 45KW 3PH	ADHT-045	216408	AS	ADHT-045F	216784	AS
480V 45KW 1PH	ADHT-045	216418	AS	ADHT-045F	216792	AS
480V 45KW 3PH	ADHT-045	210278	AS	ADHT-045F	216805	AS
240V 50KW 3PH	ADHT-050	216426	AS	ADHT-050F	216813	AS
480V 50KW 1PH	ADHT-050	216434	AS	ADHT-050F	216821	AS
480V 50KW 3PH	ADHT-050	210286	AS	ADHT-050F	216830	AS
480V 60KW 2-3PH	ADHT-060	210294	AS	ADHT-060F	216848	AS
480V 70KW 3PH	ADHT-070	216442	AS	ADHT-070F	216856	AS
480V 80KW 3PH	ADHT-080	210307	AS	ADHT-080F	216864	AS
480V 90KW 3PH	ADHT-090	210315	AS	ADHT-090F	216872	AS
480V 100KW 3PH	ADHT-100	210323	AS	ADHT-100F	216880	AS
480V 120KW 3PH	ADHT-120	210331	AS	ADHT-120F	216899	AS
480V 160KW 3PH	ADHT-160	210340	AS	ADHT-160F	216901	AS
480V 180KW 3PH	ADHT-180	210358	AS	ADHT-180F	216910	AS
480V 240KW 3PH				ADHT-240F	210366	AS
480V 300KW 3PH				ADHT-300F	210374	AS

Stock Status: S = stock AS = assembly stock NS = non-stock
To Order—Specify model, PCN, kW and quantity.

AIR DUCT