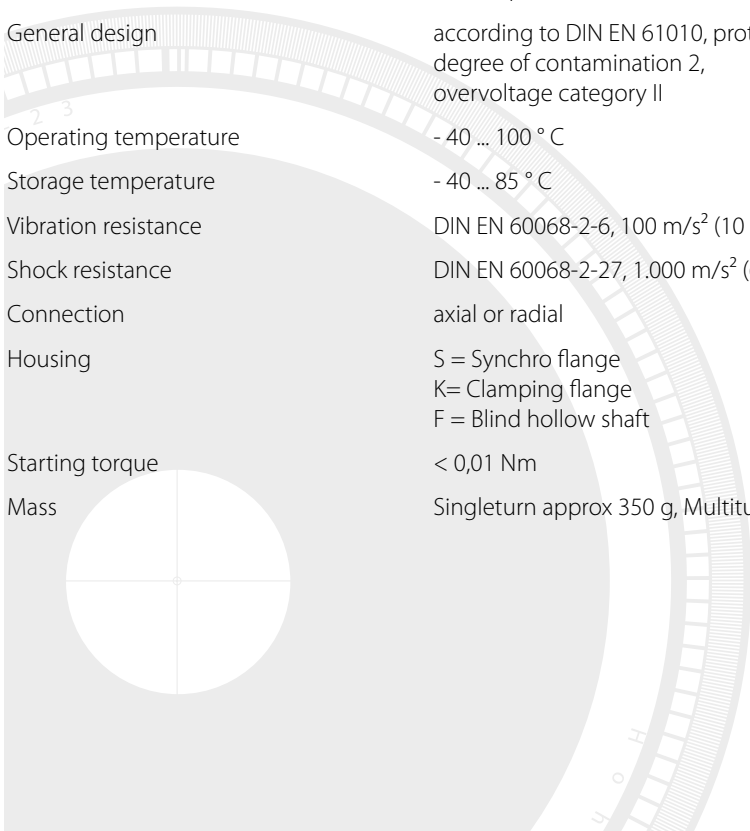


Series BC 58

- ▶ Absolute single- and multiturn rotary-encoder with solid shaft or blind hollow shaft
- ▶ Housing diameter 58 mm, compact design and high degree of protection up to IP67
- ▶ Maximum resolution singleturn 17 Bit
- ▶ Maximum resolution multiturn 25 Bit
- ▶ For highest industrial requirements
- ▶ Available interfaces: Parallel, SSI, ProfibusDP, Interbus K2 and K3, DeviceNet, CAN, CANopen
- ▶ Accessories from page 78

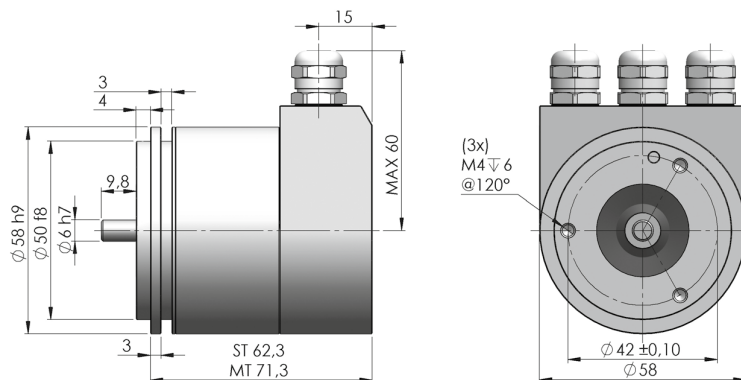
Mechanical specifications

Shaft diameter	6 mm (synchro flange) 10 mm (clamping flange) 10/12 mm (blind hollow shaft)
Shaft load	axial 40 N, radial 60 N (10, 12 mm shaft)
Speed	Continuous operation 10.000 min ⁻¹
Torque	< 0.5 Ncm
Moment of inertia	ca. 3,8 x 10 ⁻⁶ kgm ²
Protection class	Shaft input IP 64 or IP 67, housing IP 67
General design	according to DIN EN 61010, protection class III, degree of contamination 2, overvoltage category II
Operating temperature	- 40 ... 100 °C
Storage temperature	- 40 ... 85 °C
Vibration resistance	DIN EN 60068-2-6, 100 m/s ² (10 ... 2.000 Hz)
Shock resistance	DIN EN 60068-2-27, 1.000 m/s ² (6 ms)
Connection	axial or radial
Housing	S = Synchro flange K = Clamping flange F = Blind hollow shaft
Starting torque	< 0,01 Nm
Mass	Singleturn approx 350 g, Multiturn approx 400 g

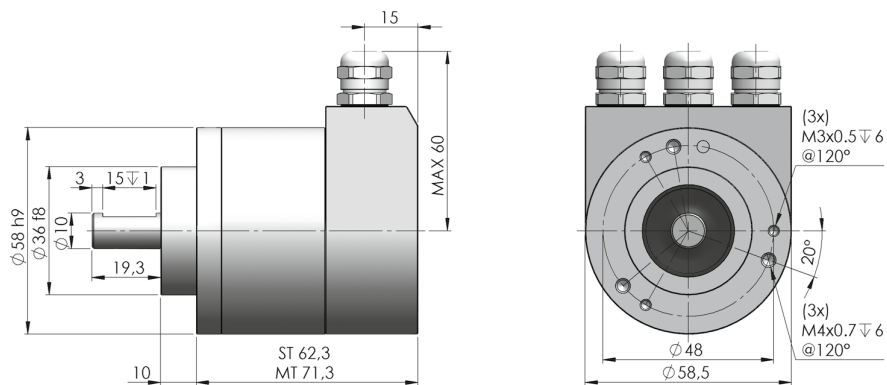


Mechanical dimensions

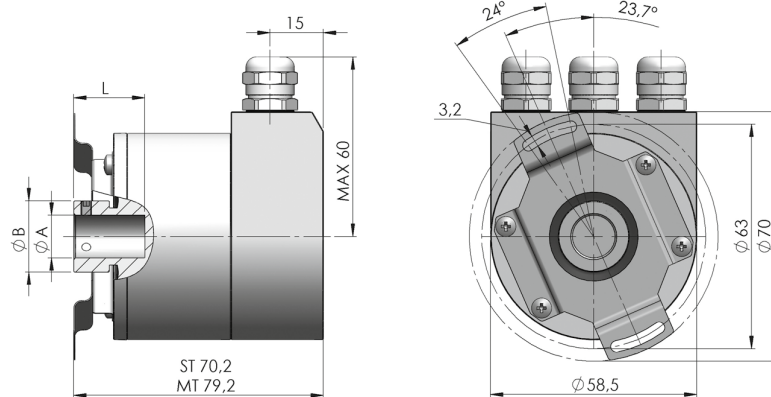
Synchro flange („S“)



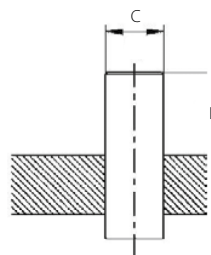
Clamping flange („K“)



Blind hollow shaft („F“)



Hollow shafts $\varnothing A$	$10^{+0.012}$ mm	$12^{+0.012}$ mm
Connecting shafts $\varnothing C$	$10_{-0.07}$ mm	$12_{-0.07}$ mm
Clamping ring $\varnothing B$	18 mm	20 mm
L min.	15 mm	18 mm
L max.	20 mm	20 mm
Shaft code	„2“	„7“



BC 58 with Profibus DP interface

Electrical	
Supply voltage	11-30 V DC
Intrinsic current consumption	Singleturn 220 mA/Multiturn 250 mA
Interface	Profibus-DP, Encoder Profile
Certified	PNO
Programmable	According to class 2: Resolution, Preset*, Direction
Output code	Binary
Baud rate	9.6 K Baud - 12 M Baud
Resolution single-turn	10 - 14-bit, depending on variant
Resolution multi-turn	12-bit
Integrated special function	Speed, acceleration, operating time
Connection	Bus cover with 2 connectors, bus cover with 3-fold PG gland
Mechanical	
operating temperature	- 40° C to + 85° C
Mass, approx.	Singleturn 350 g/Multiturn 400 g

* Preset only via bus, no button

Order reference

