

Technical data
LSN 125-100-200 S1VV1 7502

Item no.

Rev.

Name

Company name Issued by Phone number Fax no. e-mail address	Receiver
--	----------

Operating data

1	Pumpe type	Single pump operation	Fluid	Water, pure
2	No. of pumps	1	Operating temperature t A	°C 4
3	Nominal flow	m ³ /h 256	pH-value at t A	7
4	Nominal head	m 70	Density at t A	kg/dm ³ 1
5	Static head	m 0	Kin. viscosity at t A	mm ² /s 1,569
6	Prepint	bar 0,098	Vapor pressure at t A	bar 0,00789
7	Environmental temperature	°C 4	Content of solid %	Solid size mm 0 0
8	Available system NPSH	m 0	Altitude	m 0

Pump data

9	Pump designation	LSN 125-100-200 S1VV1 7502			Impeller Ø	Max.	mm	212
10	Design	ISO Chemical pump				designed	mm	200,3
11	Execution	without Inducer (8)				Min.	mm	160
12	Operating speed	1/min	3570	Flow	Nominal-	m ³ /h	256 (256)	
13	Number of stages	1			Max-	m ³ /h	397,9	
14	Intake socket	DN 125 / PN16 / EN 1092 (IC)			Min-	m ³ /h	87,5	
15	Pressure socket	DN 100 / PN16 / EN 1092 (IC)		Head	Nominal-	m	70	
16	Max. casing pressure	bar	16		at Qmax	m	41,8	
17	Max. working pressure	bar	8		at Qmin	m	79,6	
18	Impeller type	Impeller construction	Radialrad	Closed	Shaft power	kW	60,9 (60,9)	
19	Bearing bracket	32		Max. shaft power	kW	71,9		
20	Lubrication	oil (standard)		Efficiency	%	80,55		
21	Constant level Oil	without (side glas)		NPSH 3%	m	6,3		
22	Pump weight / Total weight	kg	93 / 935	Head H(Q=0)	m	80		

Materials

Pump		Shaft Seal	
23			
24	Impeller	alloy cast steel, 1.4408	S1.1 single seal, smooth shaft sleeve
25	Casing	alloy cast steel, 1.4408	MG912 BQ1EGG
26	casing cover	alloy cast steel, 1.4408	shaft sleeve Stainless Steel
27	Shaft	alloy steel, 1.4021	1. Seal face Carbon, resinimpreganted
28	impeller nut	Duplex, 1.4517	2. Stationary face SIC - pressure-free sintered
29	lantern	ductile iron, 0.7043	3. Stationary seal EPDM
30	Bearing frame	Cast iron, 0.6025	4. Springs CrNiMo - steel
31	Case Drain Plug	alloy steel, 1.4571	5. Others CrNiMo - steel
32			
33			
34			
35			
36	Wear rings	without (Standard)	
37			

Motor data

Motor data				Coupling		
38	Manufacturer	WEG	Electric voltage	660 V	Manufacturer	VOGEL
39	Specific design	IE3 motors - Cast Iron Frame - Premium Efficiency			Series	flexible coupling with spacer
40	Type	W22 - 280 S/M - 75kW			Type	H 160 FK-140
41	Rated power	75 kW	Electric current	78,6 A	Frame size	160
42	Nominal speed	3570 1/min	Degree of protection	IP55	Spacer length mm	140
43	Frame size	280 S/M	Explosion protection	-- --	Weight kg	15,2
44	Weight	674 kg	Shaft diameter	65 mm	Coupling protection	yes Werkstoff :

Base plate

45	Name	Baseplate-280 S/M		Accessories	
46	Weight	kg	153	Piping	<input type="checkbox"/> yes / no

Remarks

47		heating jacket (casing)	<input type="checkbox"/> yes / no
48		heating jacket (casing cover)	<input type="checkbox"/> yes / no
49		Constant level Oiler	<input type="checkbox"/> yes / no
50		Anchorbolts	<input type="checkbox"/> yes / no
51			<input type="checkbox"/> yes / no
52			<input type="checkbox"/> yes / no

Project	Project ID	Created by	Created on	Last update
			12-7-2018	

hydraulic LSN 125-100-200 S1VV1 7502

Company name	Receiver
Issued by	
Phone number	
Fax no.	
e-mail address	

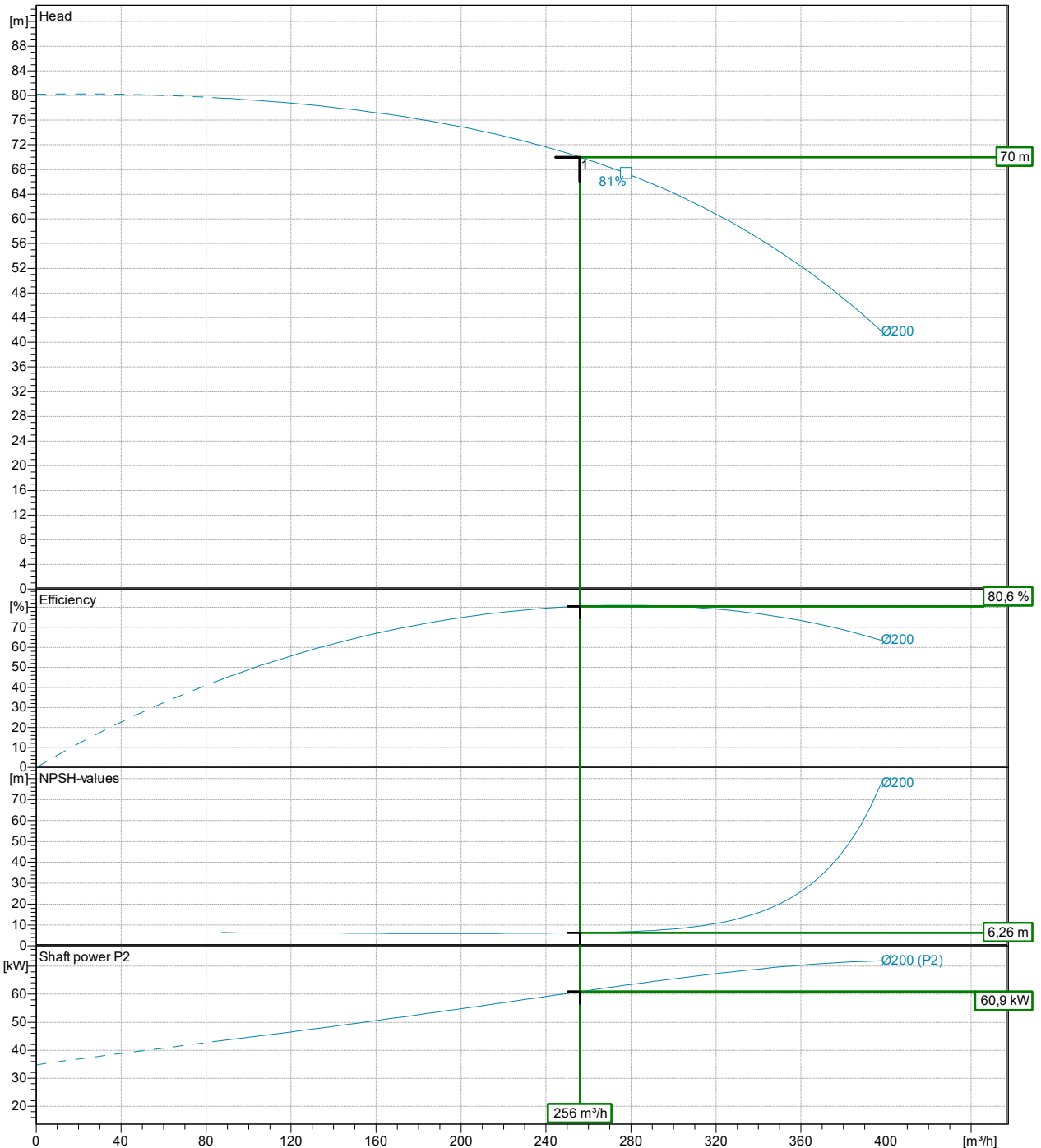
Impeller										Impeller type		Radialrad		
	Ø mm	Pump capacity Operating range			Pump head		Shaft power P2			Impeller design	Closed			
		Min. m³/h	Max. m³/h	η Max. m³/h	H(Q=0) m	η Max. m	P2(Q=0) kW	Max. kW	η Max. kW	Sense of rotation	Clockwise from the drive end			
										Discharge width	mm	26,0		
actual	200	87,5	398	278	80,2	67,4		71,9	63,2	Free passage	mm			
Min.	160	/	/	220	53,2	40,6		/	35,4			Frequency	Hz	60
Max.	212	/	/	295	90,5	78,3		/	72,8	Duty chart	3550 rpm	Operating speed	1/min	3570

Power datas referred to:

hydr. Performance acceptance acc. To EN ISO 9906 Class

Water, pure [100%] ; 4°C; 1kg/dm³; 1,57mm²/s

Grade 2B



Project	Project ID	Created by	Created on 12-7-2018	Last update
---------	------------	------------	-------------------------	-------------

Dimensions
LSN 125-100-200 S1VV1 7502

 Company name
Issued by
Phone number
Fax no.
e-mail address

Receiver

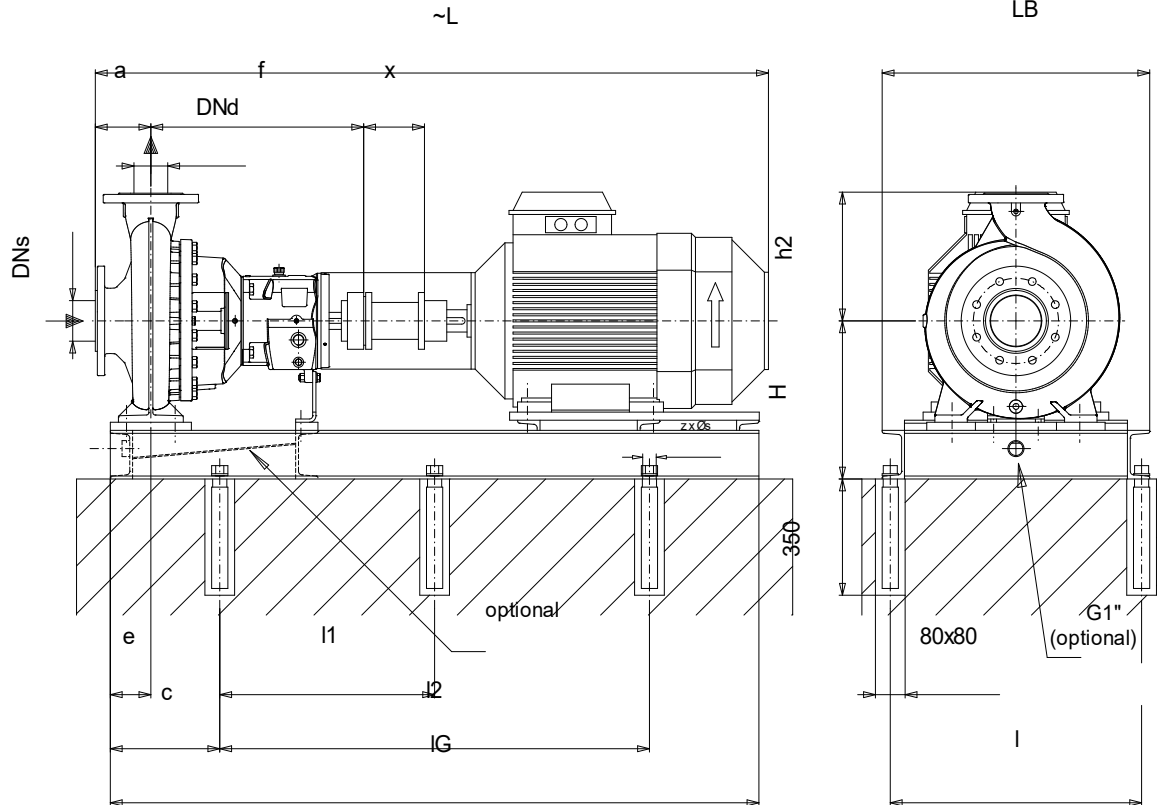
From

Unit with standard motor brand and accessories

without Inducer (8)

Dimensions

[mm]



Dimensions and weight without obligation

~L	1836
a	125
c	300
DNd	100
DNs	125
e	90
f	500
H	445
h2	280
i	105
l	670
l1	600
l2	1200
LB	720
IG	1800
s	24
Volumen	0,95839
x	140
z	6

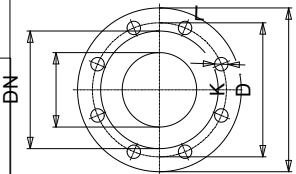
Connections

[mm]

Intake socket	Pressure socket
DN 125	DN 100
PN16	PN16
EN 1092 (IC)	EN 1092 (IC)

Weight [kg]	
Pump	93
Coupling	15
Base plate	153
Motor	674
Total weight	~ 935

C	24	C	24
d	186	d	157
D	255	D	230
K	210	K	180
L	19	L	19
n	8	n	8



Project

Project ID

Created by

 Created on
12-7-2018

Last update