

Sensor technologies ▶ Proximity sensors

Sensor, Series ST6

▶ 6 mm T-slot ▶ with cable ▶ Plug, M8, 3-pin



24742

Certificates

CE declaration of conformity

cULus

RoHS

Ambient temperature min./max.

-30°C / +80°C

Protection class

IP65, IP67

Switching point precision [mm]

±0,1

DC operating voltage min./max.

10 V DC - 30 V DC

Switching logic

NO (make contact)

Switching capacity

Reed, 2-pin: max. 10 W

Reed, 3-pin: max. 6 W

LED status display

Yellow

Vibration resistance

10 - 55 Hz, 1 mm

Shock resistance

30 g / 11 ms

Materials:

Housing

Polyamide

Cable sheath

Polyurethane

Locking screw

Stainless steel

	Type of contact	Cable length	Operational voltage AC min./max.	Voltage drop U at I _{max}	DC switching current, max.	AC switching current, max.	Max. switching frequency kHz	Part No.
		[m]	[V AC]		[A]	[A]		
	Reed	0.3	10 / 30	I*Rs	0.13	0.13	< 0,4	R412022868
	Reed	0.3	10 / 30	I*Rs	0.3	0.5	< 0,4	R412022872
	electronic PNP	0.3	-	≤ 2,5 V	0.13	-	< 1,0	R412022858
	electronic NPN	0.3	-	≤ 2,5 V	0.13	-	< 1,0	R412022851

Part No.	Operating current, not switched	Operating current, switched	Note
R412022868	-	-	1)
R412022872	-	-	1)
R412022858	< 8 mA	< 30 mA	2)
R412022851	< 8 mA	< 30 mA	2)

1) Protected against polarity reversal

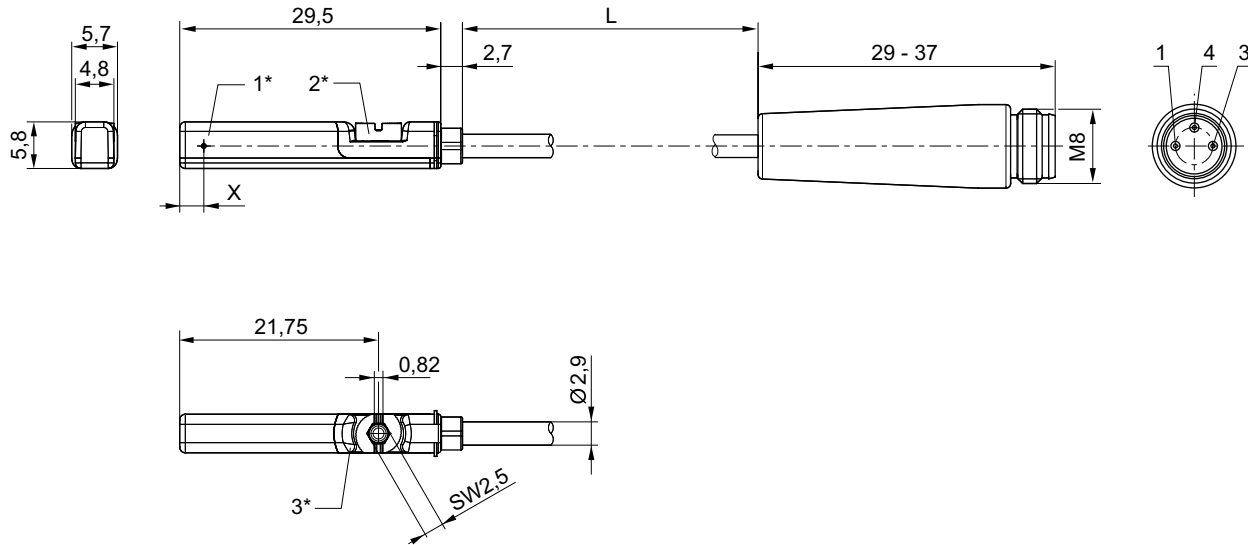
2) short circuit resistant / Protected against polarity reversal

interfaces: Plug; M8; 3-pin

Sensor, Series ST6

▶ 6 mm T-slot ▶ with cable ▶ Plug, M8, 3-pin

Dimensions



1* = switching point 2* = locking screw 3* = LED window, transparent
 L = cable length
 X = electronic: 11,6 mm, Reed: 8,3 mm
 Pin assignment: 1 = (+), 3 = (-), 4 = (OUT)

24621