

**Pressure Gauges / Liquid Filled Pressure Gauges / CL 2.5 / Ø 50 mm.**
**CONSTRUCTIVE PROPERTIES**

|                    | STANDARD   | OPTIONAL                       |
|--------------------|--|--------------------------------|
| Mounting Type      | Bottom Connection  | See Technical Drawing          |
| Scale Unit         | bar/psi  | bar   psi   kg/cm <sup>2</sup> |
| Scale Range (PN)   | 0/1   0/1,6   0/2,5   0/4   0/6   0/10   0/16   0/25   0/40   0/60   0/100   0/160   0/250   0 - 315   0/400   0/600 |                                |
| Vacuum Scale Range | -1 / +1,5   -1 / +3   -1 / +5   -1 / +9   -1 / +0,6   -1 / 0   |                                |
| Case               | Stainless Steel AISI-304   | -                              |
| Bezel              | Stainless Steel AISI-304   | -                              |
| Window             | Polycarbonate  | -                              |
| Movement           | Brass  | -                              |
| Wetted Parts       | Copper Alloy   | -                              |
| Connection         | G 1/4" B   | 1/4" NPT                       |
| Dial               | Aluminum   | -                              |
| Pointer            | Aluminum   | -                              |
| Welding            | Soldering  | Hard Soldering                 |
| Filling Liquid     | Glycerine  | -                              |

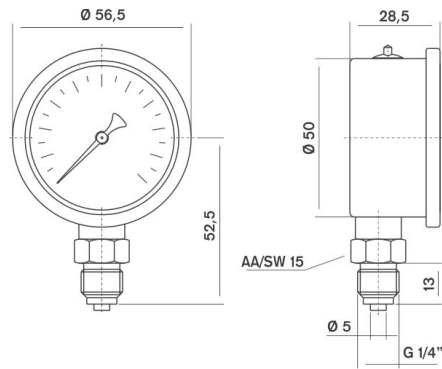


**MG050GRS1.**  
Bottom Connection

**USAGE PROPERTIES**

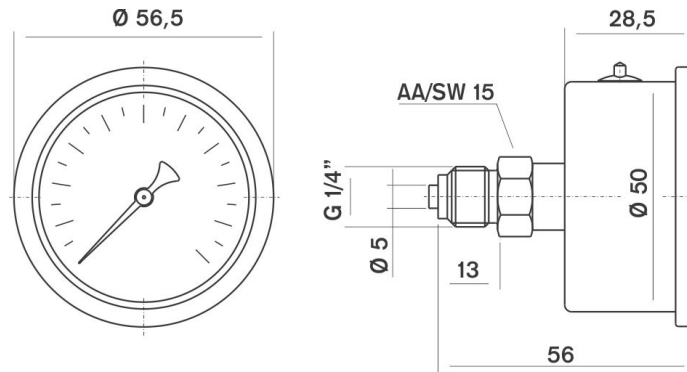
|                            |  |                  |
|----------------------------|--|------------------|
| Fluid Temperature          | Maximum + 60 °C                              | Maximum + 100 °C |
| Ambient Temperature        | - 20 ... + 60 °C                             | -                |
| Operating Pressure (max.)  | Must not exceed %75' of full scale.          |                  |
| Over Pressure Limit        | ≤40 bar PN x 1.25   >40 bar PN x 1.15        |                  |
| Accuracy Class             | CL 2.5                                       | CL 1.6           |
| Protection Rate            | IP 65  | -                |
| Storage Temperature        | -40 ... +70 °C                               | -                |
| Conformity                 | EN 837 - 1                                   | -                |
| Mechanical Shock Test Load | 15g  | -                |
| Mechanical Vibration Test  | 10 Hz ile 150 Hz -1 oktav/dk. 2s / 3 eksende |                  |

Pressure Gauges / Liquid Filled Pressure Gauges / CL 2.5 / Ø 50 mm.



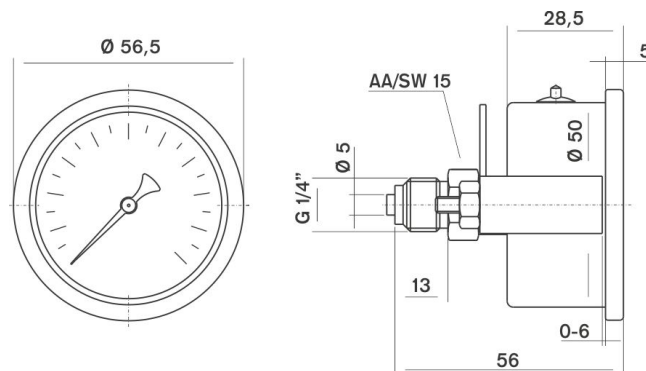
Model No: MG050GRS1

Bottom Connection



Model No: MG050GRS2

Back Connection



Model No: MG050GRS3

Back Connection Panel Mounted