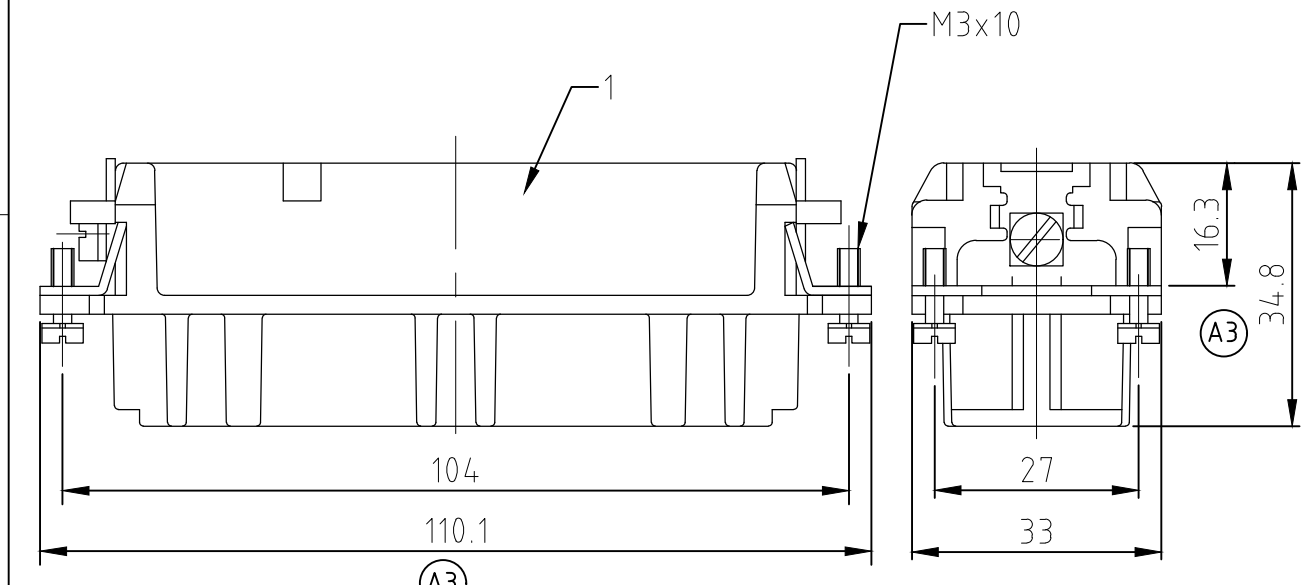
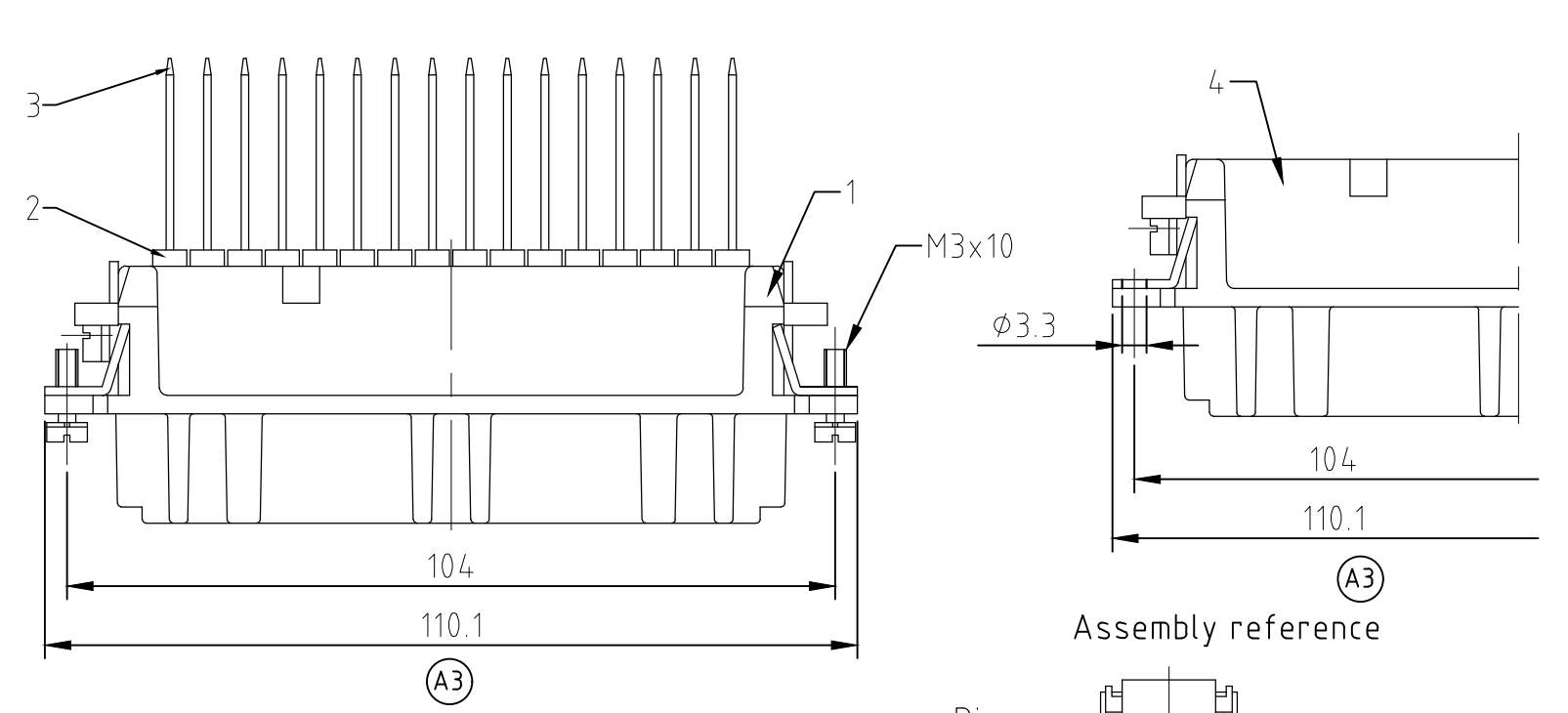


THIS DRAWING IS UNPUBLISHED. RELEASED FOR PUBLICATION  
 © COPYRIGHT - By - ALL RIGHTS RESERVED.

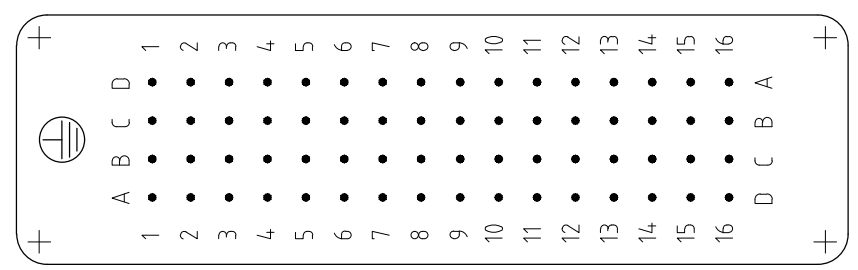
REVISIONS				
P	LTR	DESCRIPTION	DATE	DWN APVD
A6		REVISED PER ECR-17-014011	23JAN18	NG MKO



**Kontaktanordnung** Ansicht Anschlußseite  
**Contact arrangement** view from termination side



**Assembly reference**

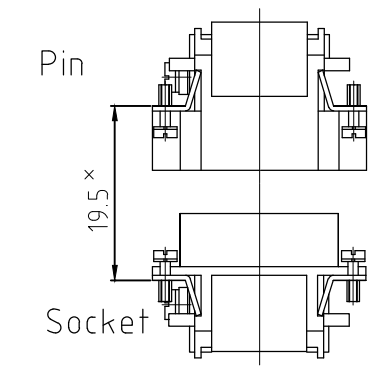


**Notes,**

- 1 Material: insert, PC  
UL-File Nr.: E101788(R)
- 2 use contact-type: HD.M

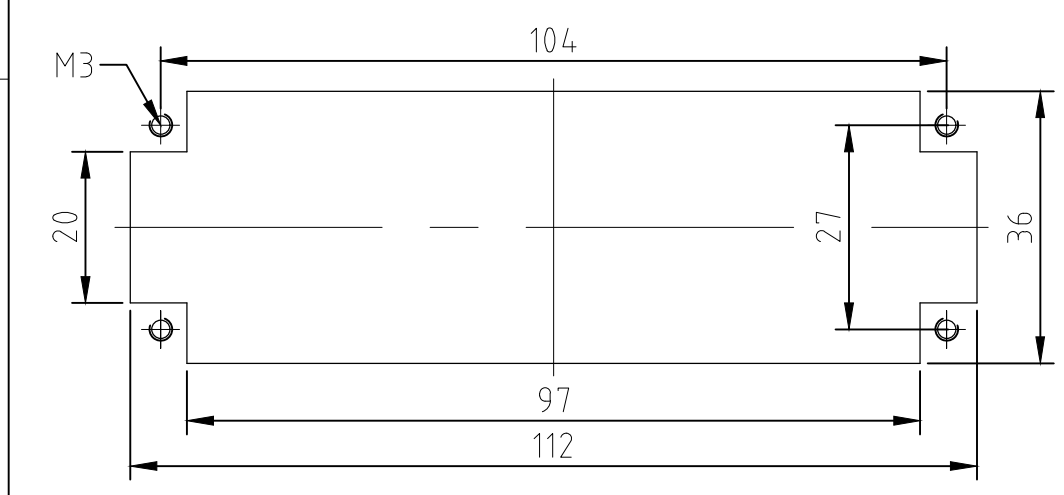
**Bemerkungen,**

- 1 Material: Einsatz: PC  
UL-File Nr.: E101788(R)
- 2 Kontakte: Serie HD.M



x Distance for a safe contact-max: 21 mm

**Montageausschnitt** bei Verwendung ohne Gehäuse  
**Panel cut-out for contact insert** when used without housing



ITEM NO. POS.	DESCRIPTION / BENENNUNG	MATERIAL	COLOR / FARBE	REMARKS / BEMERKUNGEN
1	Buchseneinsatz HD/socket insert	1	gray	4 without mounting screws / with 4xφ3.3
64	Kontaktbuchse mit Wickelpfosten/ con. socket with wire wrap terminal			3
8	Deckelplatte/cover tab	1	gray	2
1	Buchseneinsatz HD/socket insert	1	gray	1

ORDERING TEXT / BESTELLTEXT HD-64-Bu.C/OBS HD-WW-64-Bu.C: CW HD-64-Bu.C	THIS DRAWING IS A CONTROLLED DOCUMENT.		DWN	18.06.1997	 TE Connectivity <b>FEMALE INSERT</b> Buchseneinsatz HD.64.Bu.C		
	DIMENSIONS:	TOLERANCES UNLESS OTHERWISE SPECIFIED: GENERAL TOLERANCES	CHK	02.05.98			
	mm	n. ISO 8015 n. ISO 2768 - mH -E n. DIN 16901 - 140	APVD	-			
	 MATERIAL 1 FINISH 3	0 PLC ± - 1 PLC ± - 2 PLC ± - 3 PLC ± - 4 PLC ± - ANGLES ± -	PRODUCT SPEC	NAME			
		APPLICATION SPEC	108-74002				
		WEIGHT	114-74000	SIZE	CAGE CODE	DRAWING NO	RESTRICTED TO
		CUSTOMER DRAWING	87	A3	00779	C-1103033	-
		SCALE	1:1	SHEET	1 OF 1	REV	A6