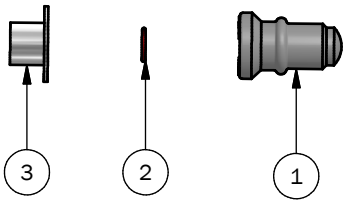


PARTS FOR SIMPLEX TYPE T/P/C

ART. NO. 778301

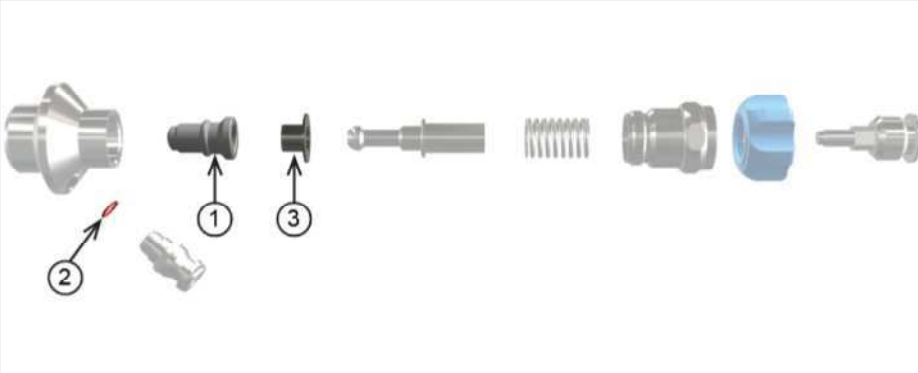


PART LIST

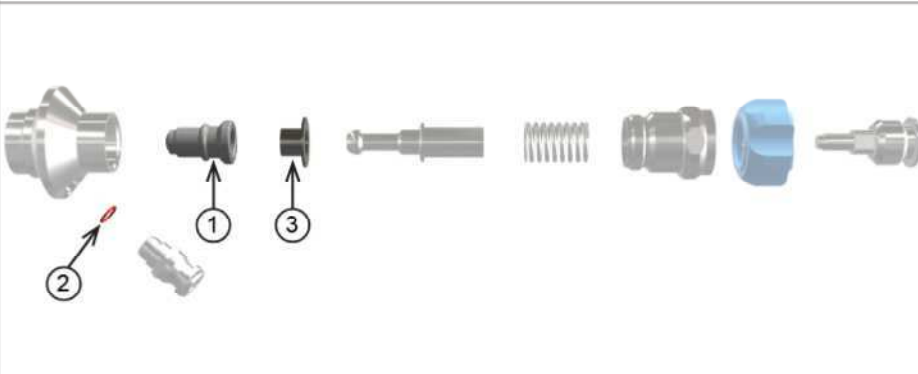
ITEM	QTY	PART NUMBER	TITLE	MATERIAL
1	1	600051	10 PACK MEMBRANE W9 SILICONE, GREY	Silicone (grey)
2	1	830825	10 PACK O-RING 7,00x1,00 SILICONE (FDA)	Silicone (red)
3	1	830149	BUSHING FOR SIMPLEX	AISI 303 / 1.4305

SPARE PART KIT 778301 FOR:

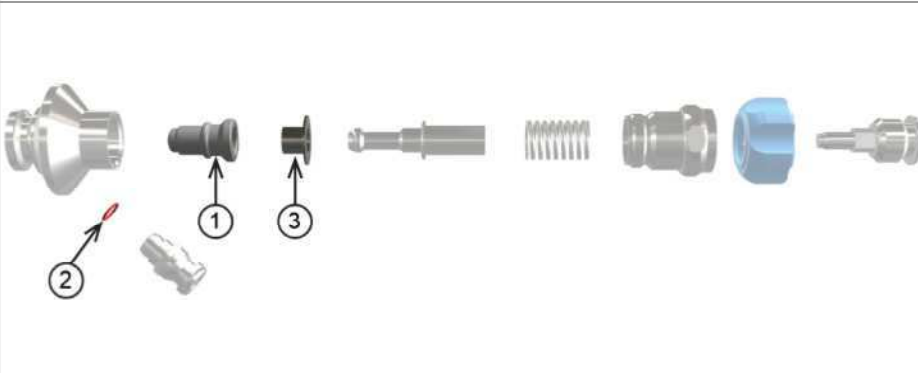
830141 SIMPLEX VALVE TYPE T/H



831141 SIMPLEX VALVE TYPE P/H



832141 SIMPLEX VALVE TYPE C 1/2"/H



832241 SIMPLEX VALVE TYPE C1"/H

