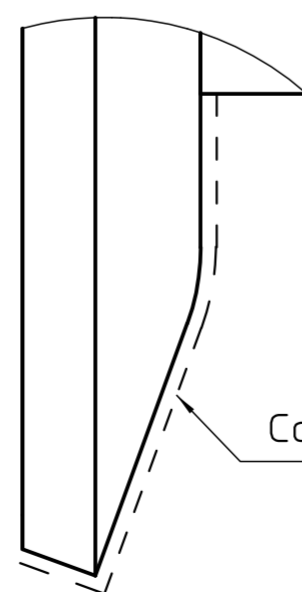
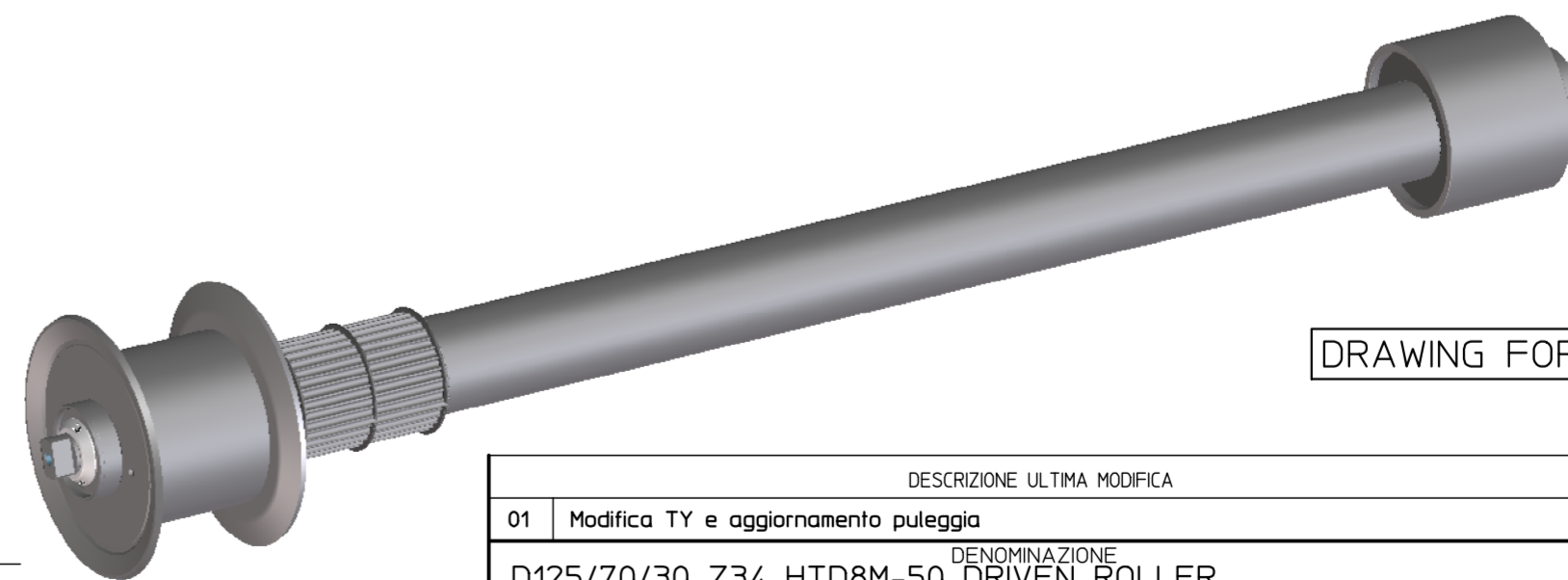


1	Tube dia. 70x5 mm EN 10025-S235 or similar/higher.
2	Pulley Z34 HTD 8M-55 Dp=86.58 De=85.22 EN10025-S235 JRG2 and snap rings SP85 DIN 5417 with rounded edge.
3	Axle dia. 30 mm EN 10025-S235 JRG2 with threaded holes M10x20 and milled ends dim. 17x15 mm.
4	Flange dia. 190x6 (hardened) and flange dia. 103x5 mm made by EN 10111 DD11 or similar/higher.
5	Tube dia. 125x7,5 mm EN 10025-S235 or similar/higher.
6	Single row rigid radial precision bearings type 6206-2RS lifetime lubrication.



Carbonitring HRC 50-63



DRAWING FOR CUSTOMER

DESCRIZIONE ULTIMA MODIFICA		ESEGUITA	APPROV.
01	Modifica TY e aggiornamento puleggia	Rizza	Gamberini G.
DENOMINAZIONE		TOLLERANZE DIM. E FORMA:	
D125/70/30 Z34 HTD8M-50 DRIVEN ROLLER		T268-01-00 T268-03-00	
STEEL WHEELS - HARDENED FLANGES DE190		SALDATURE: T287-01-00	
MODIFICHE		DATA	SCHEDA N°
DIS. Rizza DATA 27/04/17		00 12/10/16	3996
CONTR. Rizza APPROV. Pace		01 27/04/17	4076
SCALA 1:5		FORM. A2	
PESO -			
DIS.N. 329810V			
SOSTITUISCE -			