

COLLECTING UNITS, DN100

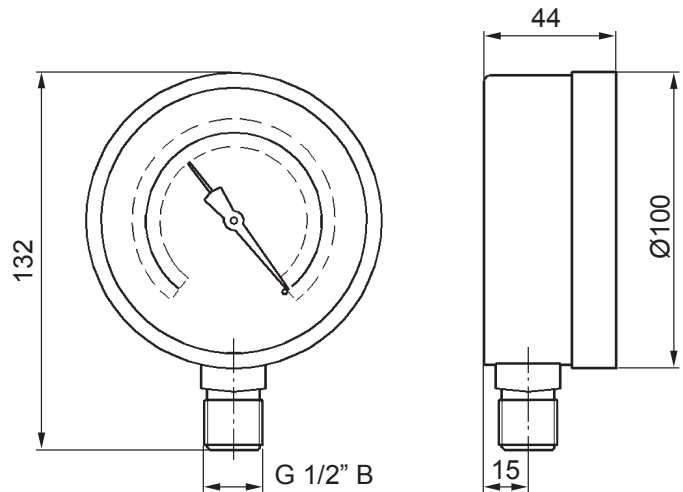
5437623 VACUUM GAUGE G1/2"
 5437666 THREE WAY VALVE R1/2"

P/N 5437623 Vacuum gauge G1/2" B

Operation data Range: 0 ... -100 kPa

Connections G1/2" B

Shipping data Net weight: 0.490 kg



P/N 5437666 Three way valve R1/2"

Materials Body: Brass nickel-plated
 Ball: Brass chrome-plated

Connections R1/2"

Shipping data Net weight: 0.320 kg

