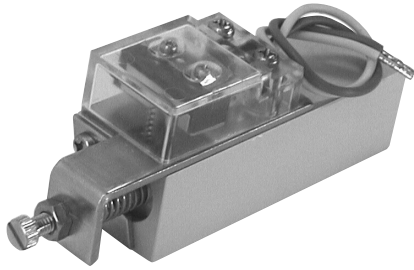


Mechanical vacuum switch CVA-V series



- Vacuum switch for CVA2 CONVUM ejector
- Mechanical vacuum switch

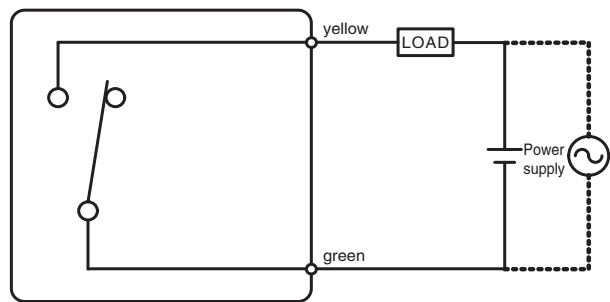
How to order

CVA - V

Specifications

Type	Unit	CVA-V
Fluid		Air (non corrosive, nonflammable gas)
Pressure range	kPa	-33.3 ~ -73.2
Proof pressure	MPa	0.5
Operating ambient temperature	°C	0 ~ 60
Operating humidity	%	35 ~ 85 RH(no condensation)
Hysteresis	kPa	4 ~ 13.3
Cable length	mm	100
Mass	g	135

Internal circuit diaphragm



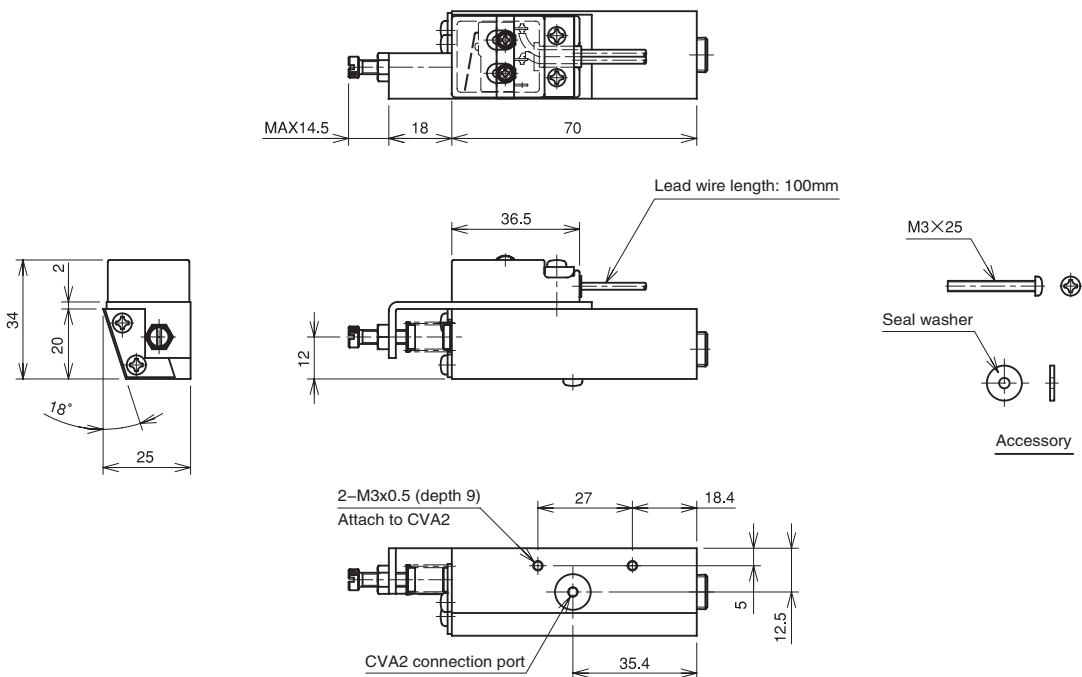
Normally open

Electric characteristics

Descriptions	Unit	
Arrangement of contact		Reed type, Normal open(N.O)
Rated voltage	V	AC125、250
Current load	AC125V	A
	AC250V	A

Dimensions

(mm)



OTHER EQUIPMENTS FOR VACUUM

Vacuum filters	VF series	P652
In-line filters	VFL series	P654
	VFL-M5	P656
	LF series	P657
Silencers for CONVUM ejectors	MS series	P660
Check valve	FPV series	P662
	CH-01	P667
Vacuum gauge	SG-4	P668