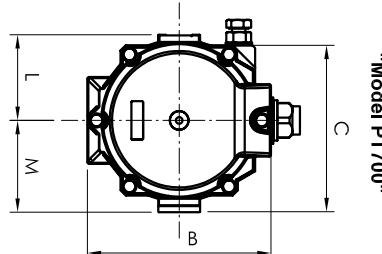
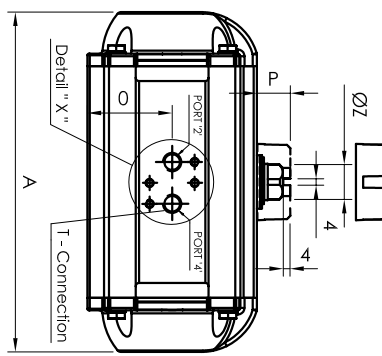


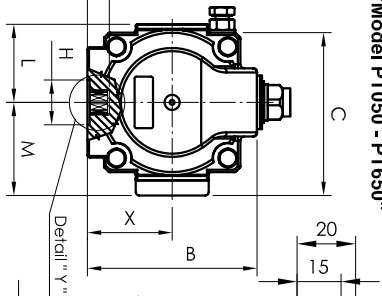
"Model PT700"



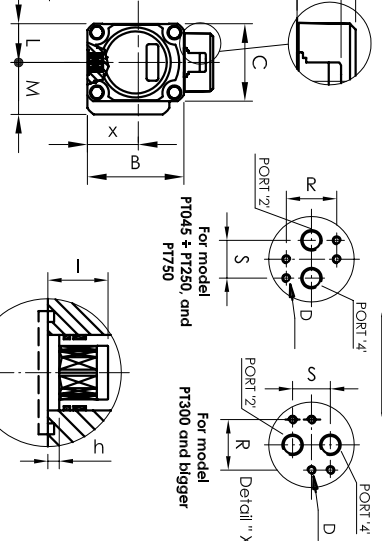
"Model PT050 - PT650"



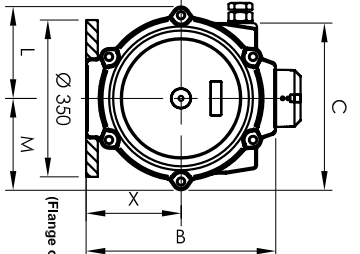
"Model PT045"



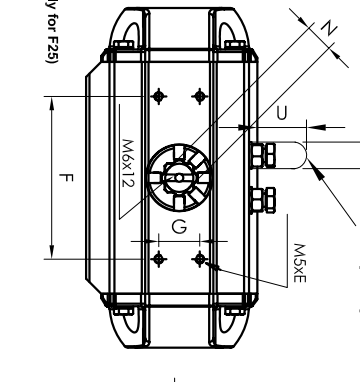
(VDA/VDI 3845)



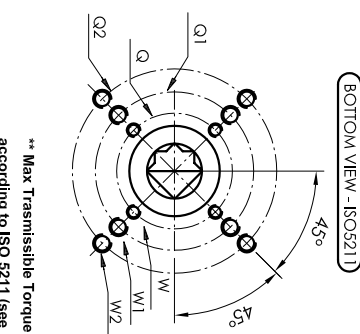
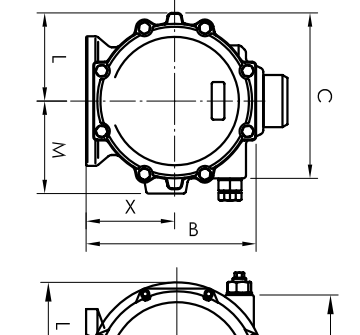
"Model PT750"



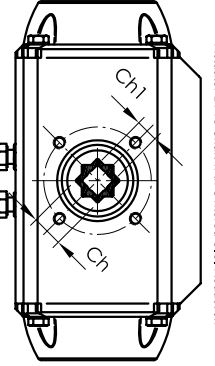
"Model PT800"



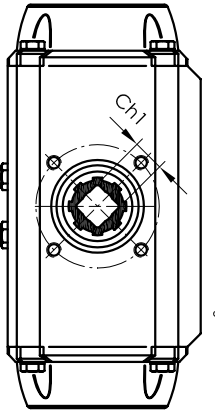
"Model PT1000"



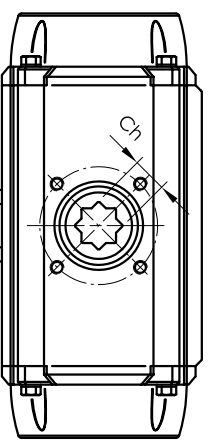
Model PT050 + PT200



Model PT250 + PT600



Model PT045 and Model PT650 + PT1000



\*\* Max Transmissible Torque according to ISO 5211 (see table below):

Ch	Max. Transmissible Torque in Nm
9	32
11	63
14	125
17	250
22	500
27	1000
36	2000
46	4000
55	8000
75	16000

Dimensions in mm

ACTUATOR MODEL	PT045	PT050	PT100	PT200	PT250	PT300	PT350	PT400	PT450	PT500	PT550	PT600	PT650	PT700	PT750	PT800	PT1000
A	18	137	154	204	241	259	304	333	395	423	473	528	605	710	812	876	950
B	66	69	85	102	115	127	145	157	177	196	220,5	245	298,5	330	383	410	518
C	62	74,5	87	100,5	113	125,5	142,5	151,5	173	187	213	213	272,5	300	383	488	488
D	M5x8	M5x8	M5x8	M5x8	M5x8	M5x8	M5x8	M5x8	M5x8	M5x8	M5x8	M5x8	M6x10	M6x10	M6x10	M6x10	M6x10
E	8	8	8	8	8	8	8	8	8	8	8	8	8	8	8	8	10
F	50-80	80	80	80	80	80	80	80	80	80	80	80	130	130	130	130	200
G	25-30	30	30	30	30	30	30	30	30	30	30	30	30	30	30	30	50
L	25-30	33,5	40	46,5	53,5	59,5	69	74	86	94,5	106	116,5	137	154	185,5	204	255
M	35,5	45	51,5	58,5	65	71	79,5	85	96,5	106	117	128	147	165	185,5	214	275
N	11	11	11	17	17	17	17	27	27	27	27	36	36	36	36	36	36
O	25	31,5	38,5	46	50	53	58	62	72	80	107,5	116	150,5	165	311	205	237
P	15-20	20	20	20	20	20	20	30	30	30	50	50	50	50	50	50	80
R	32	32	32	32	32	32	32	32	32	32	32	45	45	45	45	45	45
S	24	24	24	24	24	24	24	24	24	24	24	40	40	40	40	40	40
NPT	1/8"	1/8"	1/8"	1/8"	1/8"	1/8"	1/4"	1/4"	1/4"	1/4"	1/4"	3/8"	1/2"	1/2"	1/2"	1/2"	1/2"
h.min.	0,5	0,5	0,5	1,5	1,5	1,5	1,5	1,5	1,5	1,5	2	2,5	2,5	2,5	2,5	2,5	0,5
X	33	34,5	42,5	51	57,5	63,5	72,5	78,5	88,5	98	111,5	122	150,5	165	191,5	205	258
Z	13,5	13,5	13,5	21	21	21	35	35	35	35	46	46	46	46	46	46	46
Z1	40	40	40	40	40	40	40	40	40	40	40	40	40	40	40	40	40
Range ISO 5211	F04	F04	F05+F07	F05+F07	F05+F07	F07+F10	F07+F10	F07+F10	F10+F12	F10+F12	F14	F14	F16	F16	F16	F16	F16+F25
Drive shaft with Sintered S.S. Square Reduction - Ch1 x		8 x 10	11 x 12	14 x 16													
Drive shaft with Drive Bushing																	
Drive shaft with Double Square Ch1 x Dep. L (mm)																	
Drive Shaft with Double Square Ch1 x Dep. L (mm)	11 x 12																
ISO Flange																	
H	30	30	35	35	40	40	55	55	55	70	100	100	130	130	130	200	200
Q	42	42	50	50	50	50	70	70	102	102	140	140	165	165	165	165	165
Q1	-	-	70	70	70	102	102	102	125	125	-	-	-	-	-	254	298
Q2	-	-	-	-	-	-	-	-	-	-	-	-	-	-	-	-	-
W	M5	M5	M6	M6	M6	M8	M8	M8	M8	M10	M10	M10	M10	M10	M10	M10	M20
W1	-	-	-	-	-	-	-	-	-	-	-	-	-	-	-	-	M20
W2	-	-	-	-	-	-	-	-	-	-	-	-	-	-	-	-	M12
ISO Flange	-	-	-	-	-	-	-	-	-	-	-	-	-	-	-	-	M20
Options																	

## HOW TO ORDER PT Pneumatic Actuators

All dimensions, materials are referred to updated catalogue and/or technical data sheet.

Model	Action (1)	Spring QTY (Only for Spring Return)	Type of Protection	Flange type	Spigot	Square (2)	Seals
PT045		S1-1 + S3-3		F04		11	
PT050		S1 + S8		F04		11	
PT100	D			F05		14	
PT200				F05		14	
PT250				F07		17	
PT300	Do	6		F07		17	
PT350		7		F10		22	
PT400		8	L	F10		22	
PT450		9		F12		27	
PT500	S	10		F12		27	
PT550		11		F14		36	
PT600		12		F14		36	
PT650	So			F16		46	
PT700				F16		46	
PT750				F16		46	
PT800				F25		55	
PT1000				F30		75	
							M-NBR Standard Seals (-40°C to +80°C)

- Notes:**
- Standard Rotation for double acting and spring return is Clockwise to close (for double acting when port 4 is pressurised).
  - Standard Shaft connection is a female square. Other type of shaft connection like different square sizes, Flathead and Keyp bore are available and need a detailed description.
  - If not specified the actuators will be supplied with Multifunction Position Indicator.
  - The standard assembly / rotation type is "ST", other assembly / rotation type to be specified as per table TY AS.

### How to order:

1	1a	2	3	4	5	6	7	8	9
PT250	N	S	12	L	F05-F07	Y	17	-	-

- Actuator Model Range:
  - 90° Rotation (Standard) = PT045 to PT1000
  - 120° Rotation (only Double Acting) = PT052 to PT752
  - 135° Rotation (only Double Acting) = PT053 to PT753
  - 180° Rotation (Double Acting and Spring Return) = PT058 to PT758
- Actuator with METRIC threaded holes of the body and NPT air connection
- Actuator with UNC threaded holes of the body and NPT air connection
- Double Acting, Clockwise to close CW
- Double Acting, Counterclockwise to close CCW
- Spring Return, Springs Clockwise to close CW
- Spring Return, Springs Counterclockwise to close CCW
- No code = Double acting actuators
- No code = Actuator with Multifunction Position Indicator for other position indicator see related tables
- No code = M-NBR standard seals (-40°C to +80°C)
- No code = Number of Springs:
  - For model PT045: Spring Set configuration S1 / S2 / S3 / S4 / S5 / S6 / S7 / S8
  - For models PT100 to PT1000 = Number of Springs:
    - > 05 to 12 spring for standard actuators 90° rotation
    - > 10 to 24 spring only for spring return 180° rotation actuators

**Coding example:**

PT700-N-S12-L-F16-N-46DS

Pneumatic actuator PT700 with metric threads Double Acting Protection L F04/1, Aluminium alloy drive shaft with sintered S.S. single square, with spigot and with standard M-NBR o-rings

**FOR PROTECTION TYPE L:**

- EXTRUDED BODY (for models PT045 to PT750) : PTFE Coated Color Light Grey
- CASTED BODY (for models PT800, PT1000) : PTFE Coated Color Light Grey
- END CAP : PTFE Coated Color Light Grey
- DRIVE SHAFT :
  - for models PT045 and from PT650 up to PT1000 Aluminium Alloy + ALODUR
  - for models PT050 to PT200 Aluminium Alloy + ALODUR with Sintered SS Square Bushing
  - for models PT250 to PT600 Aluminium Alloy + ALODUR with Aluminium Drive Bushing

**AIR TORQUE S.p.A.**

Costa di Mezzate (Bg) - Italy

HTO 01/12D/L-E

Rev. 0	01/06/2012	First Issue			
Rev.	Date	Reason for revision	Q.E.	Q.O.	A.M.
DESCRIPTION:			Made By		
DIMENSIONS AND CODING FOR PT ACTUATORS PROTECTION LEVEL "L"			Checked By		
SUITABLE FOR EUROPEAN DOW SITES			Appr. By		
D.M.G. N°:			SPACE RESERVED FOR TITLE BLOCK AND CUSTOMER APPROVAL:		

THIS DRAWING IS PROPERTY OF AIR TORQUE S.p.A. COSTA DI MEZZATE - ITALY AND ALL RIGHTS OF USE AND REPRODUCTION ARE RESERVED.