

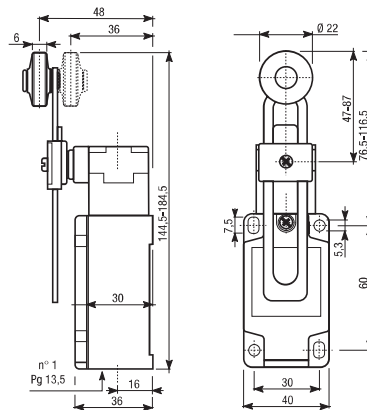


Thermoplastic roller variable length lever

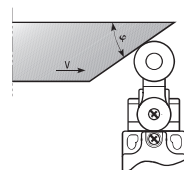
Contact element	
1NO+1NC snap action 	00
1NO+1NC slow action 	01
1NO+1NC slow overlap. 	02
2NO slow action 	03
2NC slow action 	04
2NC snap action 	05
Weight	kg
Pack	pcs

Cable entry				Contact travel
PG 13,5		M20 x 1,5		
Metal head Plastic body	Metal head Metal body	Metal head Plastic body	Metal head Metal body	
E40000FI	E40000FM	E40100FI	E40100FM	
E40001FI	E40001FM	E40101FI	E40101FM	
E40002FI	E40002FM	E40102FI	E40102FM	
E40003FI	E40003FM	E40103FI	E40103FM	
E40004FI	E40004FM	E40104FI	E40104FM	
E40005FI	E40005FM	E40105FI	E40105FM	
0,305	0,42	0,305	0,42	
1	1	1	1	

standard article



Drive cam operating parameters



φ	V max (m/s)
30°	1,5
45°	1
60°	0,75
60-90°	0,25

Drive forces	
Minimum command force	25 Ncm
Minimum forced opening force	45 Ncm