

### FEATURES

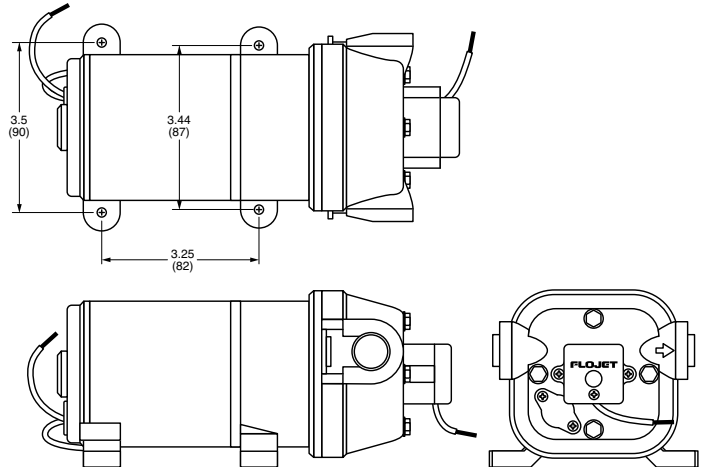
- Self-Priming
- Dry Running
- Soft, Noise Absorbing Mounts
- Corrosion Resistant Materials
- D.C. Models Meet U.S.C.G. Electric Standards
- A.C. Models Have 6' Power Cord

### SPECIFICATIONS

**Motor:** Permanent Magnet, Ball Bearing. CE Models are fully suppressed.

**Pump:** Four chamber diaphragm design; Self-priming up to 10 ft. suction lift; Pump able to run dry without damage; Removable port to hose connectors.

**Note:** 4300 Series pumps are not bypass type pumps and can be used in systems with an accumulator tank.



(Available on 12 & 24V d.c. Models and 230V a.c. Model)

Pump Series	Dimensions - Inches (mm)			Weight lb. (kg)
	Height	Width	Length	
4305-xxx	3.75 (95)	6.3 (160)	8.2 (208)	3.9(1.8)
4305-144	3.75 (95)	6.3 (160)	8.6 (218)	4.5(2.1)
4325-XXX	3.75 (95)	6.3 (160)	9.9 (252)	6.0(2.8)

MODEL*	VOLTS	AMP DRAW @ 10 psi (0.7 bar)	FLOW GPM (V.in)	PRESSURE SWITCH MAX psi (bar)
4305-144	12V dc	5.0	3.5 (13.5)	40 (2.8)
4305-500	12V dc	4.0	3.3 (12.5)	35 (2.5)
4305-501	24V dc	1.8	3.3 (12.5)	35 (2.5)
4305-502**	24V dc	2.0	2.3 (8.7)	20 (1.3)
4305-503**	12V dc	2.4	2.3 (8.7)	20 (1.3)
4305-513	12V dc	2.4	2.3 (8.7)	40 (2.8)
4325-143	12V dc	6.0	4.5 (17)	40 (2.8)
4325-343	24V dc	2.5	4.5 (17)	40 (2.8)
4325-443	32V dc	2.0	4.5 (17)	40 (2.8)
4325-043	115V ac	0.5	4.5 (17)	40 (2.8)
4325-243	230V ac	0.3	4.5 (17)	40 (2.8)

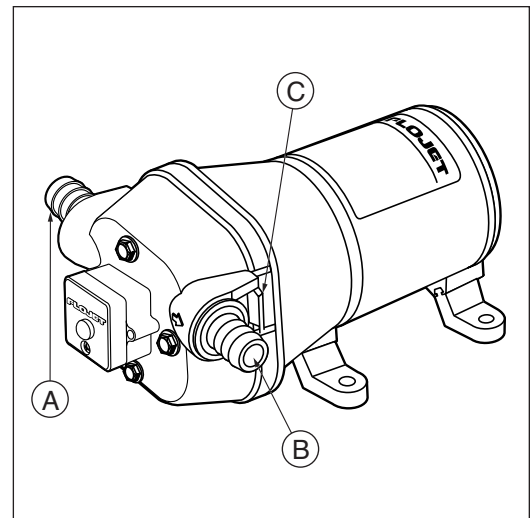
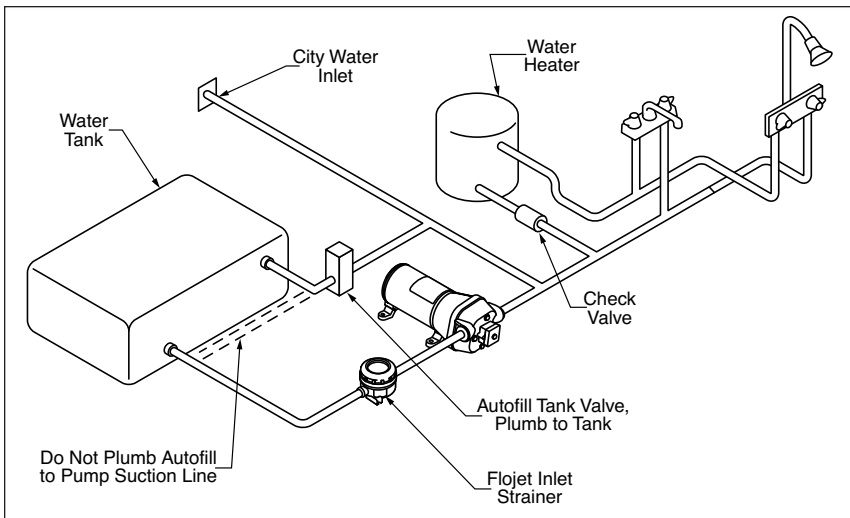
\*\*Low Flow/Low Pressure Models

\* CE fully suppressed models are identified by a prefix "R" and a CE mark on the label. (i.e. R4305-500)  
Self Declaration Of Conformance (SDOC) is available upon request.

### OPERATION

With pump switch off, and battery fully charged, fill water tank, open all faucets then turn pump switch on. Water will begin to flow. When water is free of air, turn faucets off, remember you are filling the water heater and the

toilet and shower lines. When all valves are shut off pump will stop. Should pump fail to stop, turn switch off and see the trouble shooting guide..



## INSTALLATION

### STEP 1

Remove shipping plugs from Quad pump ports. Some water from factory testing may spill out.

### STEP 2

Install inlet A and discharge B port connectors. Firmly push slide clips C forward to lock port connectors in place.

### STEP 3

Slide rubber mounts fully into 4 mounting tracks.

### STEP 4

Mount pump vertically, with pump head down or horizontally in an accessible location. If mounting vertically, motor up, attach motor mounts first, then pump head mounts, while supporting weight of pump.

### STEP 5

Use 1/2" I.D. flexible hose (preferably braided or reinforced). Use hose clamps on the slip-on barb hose connectors.

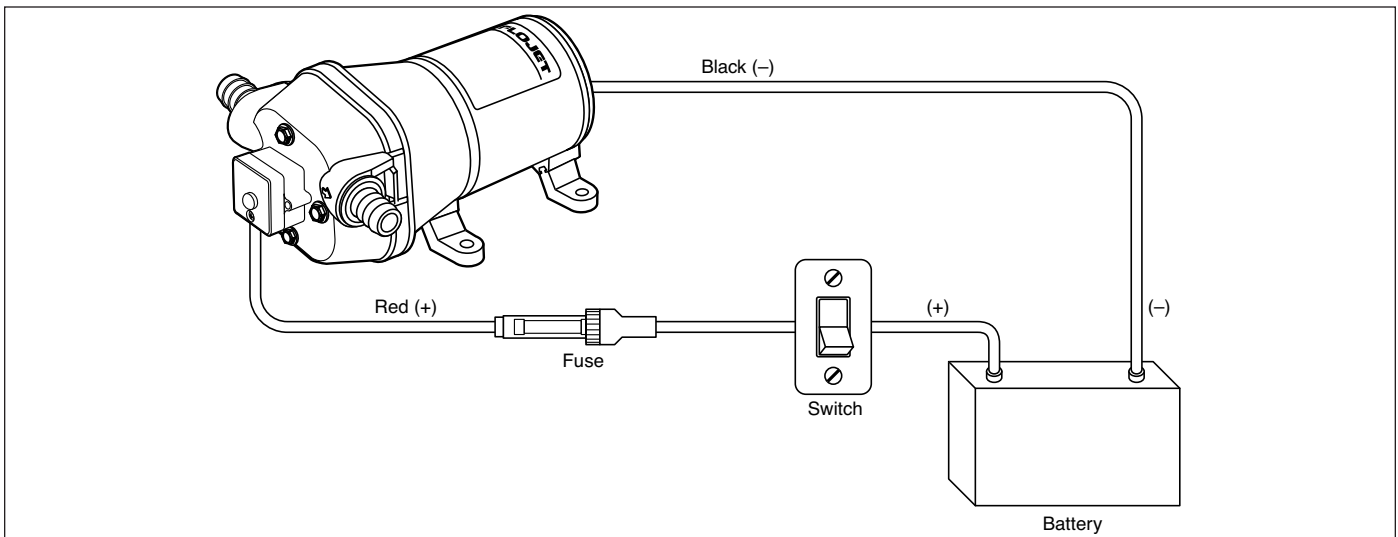
### STEP 6

Install no less than 3/8" I.D. hose for feed lines to fixtures. Use high pressure hose on all city water lines.

### STEP 7

Install a Flojet strainer in an accessible Location (for inspection and cleaning) between the tank and pump inlet. This strainer or equivalent is required for pump warranty to be valid.

**NOTE:** Small accumulator tank maybe used for smoother flow.



## D.C. WIRING

### STEP 1

Use 14 gauge stranded wire to 20', 12 gauge to 50', from power source.

### STEP 2

Use a 10-15 amp rated on-off switch on the (+) positive (red) motor lead.

### STEP 3

Install 10-15 amp fuse protection on the positive lead for the -500, -144 and -143 models, use a 7 amp fuse for the -503 and -343 and a 4 amp fuse for -501 and -443 models.

**NOTE:** The 115 and 230 Volt models may be plugged directly into any ac outlet. A G.F.I. (ground fault interruption) outlet and switched circuit is recommended.

## TROUBLESHOOTING

**WARNING: BEFORE SERVICING PUMP, TURN OFF PUMP AND DRAIN WATER FROM SYSTEM!!**

**Failure to Prime** - Motor operates, but no pump discharge

- Restricted intake or discharge line
- Air leak in intake line
- Debris in pump
- Punctured pump diaphragm (pump leaks)
- Crack in pump housing

**Motor falls to turn on**

- Loose wiring connection
- Pump circuit has no power
- Blown fuse
- Pressure switch failure
- Defective motor

**Pulsating Flow** - Pump cycles on and off

- Restricted pump delivery. Check discharge lines, fittings and

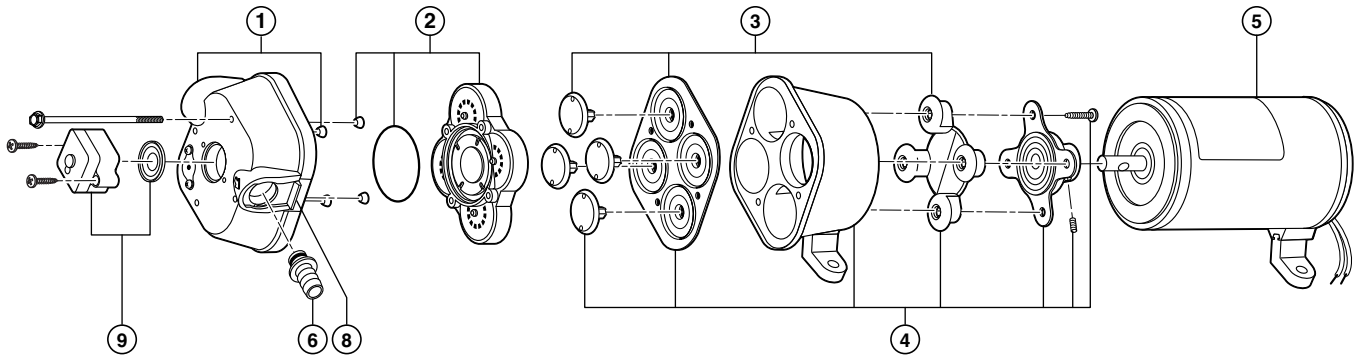
valves for clogging or undersizing.

**Pump Falls to Turn Off After All Fixtures Are Closed**

- Empty water tank
- Insufficient voltage to pump (low battery)
- Punctured pump diaphragm (pump leaks)
- Discharge line leak
- Defective pressure switch

**Low Flow and Pressure**

- Air leak at pump intake
- Accumulation of debris inside pump and plumbing
- Worn pump bearing (excessive noise)
- Punctured pump diaphragm (pump leaks)
- Defective motor



Quite often when a pump is worn or defective the one failed component has overburdened others. To avoid frequent aggravating repairs, Flojet offers service kit assemblies making repairs as quick and easy as possible.

## DISASSEMBLE

### Pressure Switch

1. Remove switch (9). Disconnect switch wires.

### Upper Housing

2. Loosen but do not remove four pump head screws and carefully remove upper housing assembly (1)
3. Inspect check valve (2) for debris
4. Reassemble new upper housing (1)

### Check Valve Assembly

Follow step 2

3. Replace check valve (2)
4. Reassemble upper housing (1)

### Lower Housing, Diaphragm, Motor

Follow step 2

3. Rotate lower housing (4) so mounting notch opening on lower housing exposes set screw which holds bearing housing to shaft.
4. Loosen this set screw by inserting wrench 1/8" Allen wrench into mounting notch opening. Then, slide lower housing (4) off motor shaft.

### Diaphragm Cont'd

5. Loosen four cam piston screws with Phillips head screw driver and pull apart cam from inner pistons. (Pistons should always be replaced when a new diaphragm is installed.)

### Motor Cont'd

5. Replace Motor

## REASSEMBLE

### Motor

1. Reassemble lower housing assembly (4) to motor. (Follow steps 4 to 10.)

### Diaphragm

2. Lower housing is assembled with:
  - Flat side of diaphragm and outer pistons facing motor
  - Hex stem of inner pistons must be aligned into hex holes in outer pistons (4).
  - Outer pistons must be aligned with alignment slots on cam assembly making sum screw holes align in cam assembly, otherwise diaphragm will leak.
3. Tighten cam piston screws partially, center piston in diaphragm, then tighten screws securely (18 in. lbs. torque)

### Lower Housing

4. Reassemble lower housing assembly (4) to motor.
5. Retighten set screw securely. Set screw head must be positioned facing motor covering seam (indentation). (Positioning of this screw is critical to avoid misalignment and subsequent diaphragm damage.)

### Upper Housing, Check Valve

6. Reassemble upper housing (1)
7. Properly seat O-Ring in check valve assembly (2) and check if fe rules and screen a. in place on upper housing (1)
8. Install check valve (2) into upper housing (1) and push in.
9. Assemble on to lower housing (4), align 4 screws on to motor by rotating lower housing (4) if necessary to align feet
10. Tighten screws evenly to 30 in. lbs. torque.

### Pressure Switch

1. Place switch against front of pump (9), insert screws and take care not to cross thread or strip out threads in housing.
2. Reconnect wires.

## AUTOMATIC WATER SYSTEM PUMP SERVICE PARTS

KEY#	DESCRIPTION	MODEL#										
		4305-144	4305-500	4305-501	4305-502	4305-503		4325-143	4325-343	4325-443	4325-043	4325-243
0	Service Kit*	20409-043	20409-043	20409-043	20409-043	20409-043	20409-043	20409-043	20409-043	20409-043	20409-043	20409-043
1	Upper Housing With Clips	20404-003	20404-008	20404-008	20404-012	***	20404-003	20404-003	20404-003	20404-003	20404-003	20404-003
2	Check Valve Assembly	20407-030	20407-030	20407-030	20407-030	20407-030	20407-030	20407-030	20407-030	20407-030	20407-030	20407-030
3	Diaphragm Assembly (includes screws)	20403-040	20403-040	20403-040	20403-040	20403-040	20403-040	20403-040	20403-040	20403-040	20403-040	20403-040
4	Lower Housing Assembly	20419-004	20419-001	20419-001	20419-000	20419-000	20419-002	20419-002	20419-002	20419-002	20419-002	20419-002
5	Motors	2009-087A	2009-073A	2019-023A	2019-23A	2009-074A	2009-080A	2019-027A	2049-026A	—	—	—
	Motors CE Models	R2009-087A	R2009-073A	R2009-023A	R2019-023A	R2009-074A	R2009-080A	R2019-027A	—	—	—	—
	Motor 115 Volt a.c./230 Volt a.c.	—	—	—	—	—	—	—	—	2029-091A	2039-087A	—
7	Pump Head Assembly	20406-015A	20406-007A	20406-007A	20406-012A	****	20406-002A	20406-002A	20406-002A	20406-002A	20406-002A	20406-002A
8	Side Clips (pair)	20408-000	20408-000	20408-000	20408-000	20408-000	20408-000	20408-000	20408-000	20408-000	20408-000	20408-000
9	Pressure Switch Assembly	2090-118	2090-104	2090-104	2090-108	**	2090-118	2090G-118	2090-118	2090-118	2090-118	2090-118
	*Service Kit includes #2, #3, #8 and drive cam assembly.						**4305-503 use 2090-108; 4305-513 use 2090-118					
	***4305-503 use 20404-012; 4305-513 use 20404-003						****4305-503 use 20406-012A; 4305-513 use 20406-002A					

## ACCESSORIES

### QUICK CONNECT PORT SYSTEM

The above part numbers are packaged with 2 fittings per bag.

## STRAINERS

Pump Series	Strainer Number	Inlet	Outlet	Screen
4305-XXX	1740-012	1/2 Barb	Quad Port	40 Mesh
	1740-002	1/2 Barb	1/2 Barb	40 Mesh
	1740-004	1/2 M Qest	1/2 M Qest	40 Mesh
	1740-014	1/2 M Qest	Quad Port	40 Mesh
4305-144 4325-XXX	1740-000	3/4 Barb	3/4 Barb	40 Mesh

## WARRANTY

FLOJET warrants this product to be free of defects in material and/or workmanship for a period of two years after purchase by the customer from FLOJET. During this two year warranty period, FLOJET will at its option, at no charge to the customer, repair or replace this product if found defective in material or workmanship, with a new or reconditioned product, but not to include costs of removal or installation.

This is only an overview of our limited warranty. If you would like a copy of our warranty, please call or write FLOJET.

## RETURN PROCEDURE

Prior to returning any product to FLOJET, call customer service for an authorization number. This number must be written on the outside of the shipping package. Place a note inside the package with an explanation regarding the reason for return as well as the authorization number. Include your name, address and phone number.

[www.flojet.com](http://www.flojet.com)

**Flojet**, 17942 Cowan Irvine, CA 92614  
Tel: +1 949 608 3900 Fax: +1 949 608 3887

**Flojet**, Bingley Road, Hoddesdon, Hertfordshire, EN11 0BU  
Tel: +44 (0) 1992 450 145 Fax: +44 (0) 1992 467 132

**NHK Jabsco Co Ltd**, 3-21-10, Shin - Yokohama Kohoku-ku, Yokohama 222  
Tel: +81 (0) 45 475 8906 Fax: +81 (0) 45 475 8908

**Jabsco GmbH**, Oststraße 28, 22844 Norderstedt  
Tel: +49 (0) 40 53 53 73 0 Fax: +49 (0) 49 53 53 73 11

**Jabsco Italia, s.r.l.**, Via Tommaseo, 6, 20059 Vimercate, Milano  
Tel: +39 039 685 2323 Fax: +39 039 666 307

USA

UK

JAPAN

GERMANY

ITALY

**FLOJET**  
a xylem brand