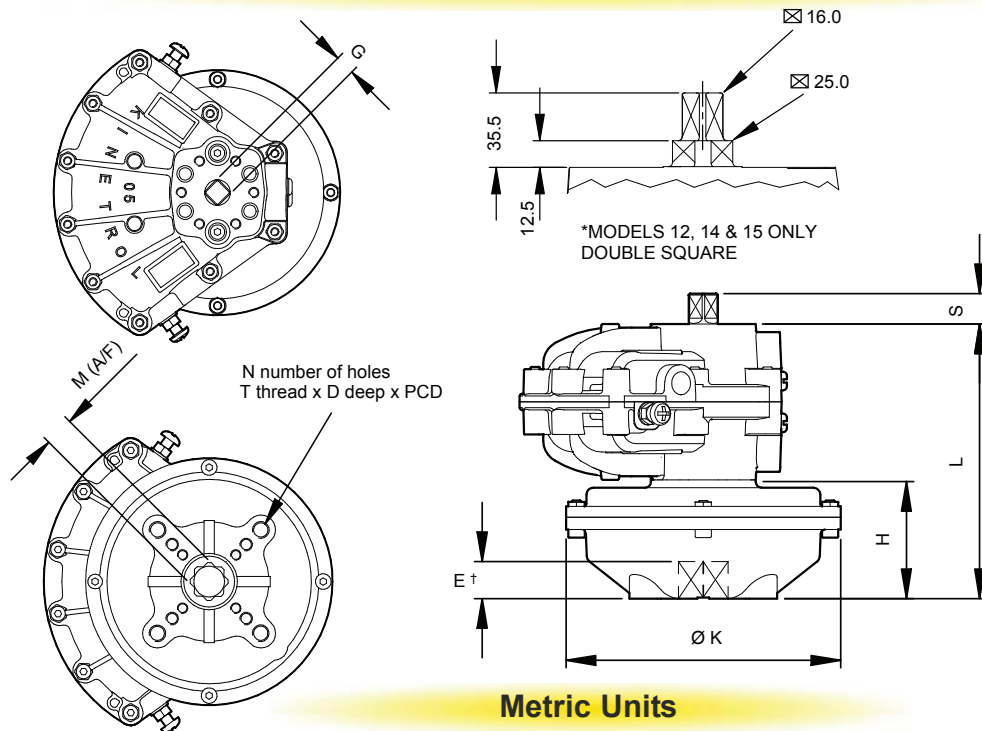


ISO Flange Female Spring Return Actuator Dimensions



Metric Units

Actuator** Model	ISO Flange No.	L mm	H mm	ØK mm	M mm	S mm	⊠G mm	E † mm	N No.	T ISO	D mm	PCD mm
033F120	F03/F05	103	43	107	11	12	9.0	12	4	M5/M6	8/10	36/50
033F180	F04	103	43	107	11	12	9.0	12	4	M5	10	42
053F120	F03/F05/F07	117	50	118	14	13	9.5	16	4	M5/M6/M8	10/12/13	36/50/70
053F180	F04	117	50	118	14	13	9.5	16	4	M5	10	42
073F120-4000	F03/F05/F07	150	50	118	14	20	16.0	16	4	M5/M6/M8	10/12/13	36/50/70
073F120	F05/F07	182	82	152	17	20	16.0	19	4	M6/M8	10/13	50/70
083F120	F07	197	87	174	17	20	16.0	19	4	M8	16	70
093F120-4200	F05/F07	208	82	152	17	20	16.0	19	4	M6/M8	10/13	50/70
093F120	F07/F10	218	92	200	22	20	16.0	24	4	M8/M10	13/16	70/102
103F120-5800	F07/F10	268	92	200	22	20	16.0	24	4	M8/M10	13/16	70/102
103F120	F10	285	110	206	22	20	16.0	24	4	M10	16	102
123F120-4300	F10	248	92	200	22	35.5	16.0*	25	4	M10	16	102
123F120	F10	293	136	258	22	35.5	16.0*	25	4	M10	16	102
123F180	F12	293	136	258	27	35.5	16.0*	29	4	M12	20	125
143F120-4900	F12	417	217	258	27	35.5	16.0*	29	4	M12	20	125
143F120-5000	F12	337	136	258	27	35.5	16.0*	29	4	M12	20	125
143F120	F12	387	187	396	27	35.5	16.0*	29	4	M12	24	125
153F120***	F14	432	187	396	36	35.5	16.0*	38	4	M16	28	140
163F120***	F14	486	212	532	36	55	41.0	38	4	M16	24	140
183F120-7000***	F16	572	212	532	46	78	57.0	48	4	M20	30	165
183F120***	F16	672	312	532	46	78	57.0	48	4	M20	30	165
203F120-7200***	F25	932	312	532	55	100	73.0	57	8	M16	24	254
203F120-7300***	F25	1032	412	532	55	100	73.0	57	8	M16	24	254
203F120***	F25	1132	512	532	55	100	73.0	57	8	M16	24	254

English Units

Actuator** Model	ISO Flange No.	L inch	H inch	ØK inch	M inch	S inch	⊠G inch	E † inch	N No.	T UNC	D inch	PCD inch
037F120	F03/F05	4.06	1.69	4.21	0.433	0.47	0.354	0.47	4	10-24 1/4	0.31/0.39	1.41/1.97
037F180	F04	4.06	1.69	4.21	0.433	0.47	0.354	0.47	4	10-24	0.39	1.65
057F120	F03/F05/F07	4.61	1.97	4.65	0.551	0.51	0.374	0.63	4	10-24 1/4 5/16	0.39/0.47/0.51	1.42/1.97/2.76
057F180	F04	4.61	1.97	4.65	0.551	0.51	0.374	0.63	4	10-24	0.39	1.65
077F120-4000	F03/F05/F07	5.91	1.97	4.65	0.551	0.79	0.630	0.63	4	10-24 1/4 5/16	0.39/0.47/0.51	1.42/1.97/2.76
077F120	F05/F07	7.17	3.23	5.98	0.669	0.79	0.630	0.75	4	1/4 5/16	0.39	1.97/2.76
087F120	F07	7.76	3.43	6.85	0.669	0.79	0.630	0.75	4	5/16	0.63	2.76
097F120-4200	F05/F07	8.19	3.23	5.98	0.669	0.79	0.630	0.75	4	1/4 5/16	0.39/0.51	1.97/2.76
097F120	F07/F10	8.58	3.62	7.87	0.866	0.79	0.630	0.94	4	5/16 3/8	0.51/0.63	2.76/4.01
107F120-5800	F07/F10	10.55	3.62	7.87	0.866	0.79	0.630	0.94	4	5/16 3/8	0.51/0.63	2.76/4.01
107F120	F10	11.22	4.33	8.11	0.866	0.79	0.630	0.94	4	3/8	0.63	4.02
127F120-4300	F10	9.76	3.62	7.87	0.866	1.40	0.630*	0.94	4	3/8	0.63	4.02
127F120	F10	11.54	5.35	10.16	0.866	1.40	0.630*	0.98	4	3/8	0.63	4.02
127F180	F12	11.54	5.35	10.16	1.063	1.40	0.630*	0.98	4	1/2	0.79	4.92
147F120-4900	F12	16.42	8.54	10.16	1.063	1.40	0.630*	1.14	4	1/2	0.79	4.92
147F120-5000	F12	13.27	5.35	10.16	1.063	1.40	0.630*	1.14	4	1/2	0.79	4.92
147F120	F12	15.24	7.36	15.59	1.063	1.40	0.630*	1.14	4	1/2	0.94	4.92
157F120***	F14	17.00	7.36	15.59	1.420	1.40	0.630*	1.50	4	5/8	1.10	5.51
167F120***	F14	19.13	8.35	20.94	1.417	2.17	1.614	1.50	4	5/8	0.94	5.51
187F120-7000***	F16	22.52	8.35	20.94	1.811	3.07	2.244	1.89	4	3/4	1.18	6.50
187F120***	F16	26.46	12.28	20.94	1.811	3.07	2.244	1.89	4	3/4	1.18	6.50
207F120-7200***	F25	36.70	12.28	20.94	2.165	3.94	2.874	2.24	8	5/8	0.94	10.00
207F120-7300***	F25	40.63	16.22	20.94	2.165	3.94	2.874	2.24	8	5/8	0.94	10.00
207F120***	F25	44.57	20.16	20.94	2.165	3.94	2.874	2.24	8	5/8	0.94	10.00

† Minimum

ATEX & **CE**
UP TO CATEGORY 1
APPROVED

All female dimensions are "Star" type except for sizes marked "****" where square orientation is shown by dimension "M"

KINETROL 52

Spring Return Torque Outputs - Metric Units Nm

Actuator Model	Position of air OR spring return stroke	Pressure (bar)											
		1.7	2.0	2.4	2.8	3.1	3.5	3.8	4.1	4.5	4.8	5.2	5.5
01-120	Start						1.5		1.7		1.9		2.3
	Finish						0.9		1.1		1.5		1.8
02-120	Start						3.0	3.4	3.6	3.8	4.2	4.4	4.7
	Finish						1.4	1.7	2.0	2.4	2.8	3.3	3.7
03-120-5600	Start	2.8	3.4	4.1	4.8	5.3	5.7						
	Finish	2.1	2.8	3.5	4.2	4.8	5.1	5.1	5.1	5.1	5.1	5.1	5.1
03-120	Start						6.3	6.9	7.5	8.1	8.9	9.5	10.3
	Finish						4.1	4.7	5.5	6.4	7.2	7.8	8.7
05-120	Start						13.0	14.1	15.3	16.4	18.1	19.2	20.9
	Finish						8.5	9.6	11.3	13.0	14.7	15.8	17.5
07-120-4000	Start	9.0	11.9	15.3	18.6	22.0							
	Finish	5.1	8.5	11.9	15.3	18.0	18.0	18.0	18.0	18.0	18.0	18.0	18.0
07-120	Start						30.5	33.9	37.3	40.7	43.5	46.9	50.8
	Finish						19.8	23.7	27.1	30.5	34.4	38.4	42.4
08-120	Start						52.7	57.2	61.7	67.2	72.7	77.0	81.3
	Finish						36.8	41.3	45.8	51.4	56.9	61.2	65.5
09-120-4200	Start	26.0	31.6	37.3	44.1	50.8							
	Finish	14.7	21.5	28.2	35.0	41.8	41.8	41.8	41.8	41.8	41.8	41.8	41.8
09-120	Start						61.0	67.8	74.6	81.9	89.3	96.6	104.0
	Finish						50.3	56.5	63.8	71.2	79.1	86.4	93.8
10-120-5800	Start	56.0	65.0	77.0	89.0	97.0	108.0						
	Finish	41.8	52.0	64.0	77.2	86.9	100.0	100.0	100.0	100.0	100.0	100.0	100.0
10-120	Start						107.0	115.5	124.0	136.0	145.0	155.9	164.0
	Finish						78.0	90.0	102.0	114.6	124.0	134.9	143.0
12-120-4300	Start	54.0	68.9	83.6									
	Finish	42.9	57.6	72.3	72.3	72.3	72.3	72.3	72.3	72.3	72.3	72.3	72.3
12-120-4400	Start			89.3	103.0	117.0	132.0	147.0	161.0	176.0	191.0		
	Finish			66.1	80.2	94.9	110.0	124.0	139.0	154.0	168.0	168.0	168.0
12-120	Start						145.0	160.0	176.0	191.0	206.0	221.0	238.0
	Finish						111.0	127.0	142.0	158.0	174.0	189.0	204.0
14-120-4900	Start	192.0	220.0	249.0	288.0	322.0	356.0	390.0	424.0	469.0	497.0	529.0	529.0
	Finish	119.0	158.0	186.0	220.0	254.0	288.0	322.0	356.0	390.0	418.0	447.0	447.0
14-120	Start						374.0	408.0	442.0	479.0	517.0	554.0	588.0
	Finish						249.0	290.0	330.0	367.0	406.0	443.0	478.0
14-120-5000	Start	172.0	208.0	237.0									
	Finish	140.0	174.0	198.0	198.0	198.0	198.0	198.0	198.0	198.0	198.0	198.0	198.0
15-120	Start						614.0	680.0	752.0	801.0	848.0	914.0	962.0
	Finish						392.0	392.0	522.0	590.0	656.0	723.0	790.0
16-120-6100	Start	359.0	428.0	497.0									
	Finish	245.0	333.0	421.0	421.0	421.0	421.0	421.0	421.0	421.0	421.0	421.0	421.0
16-120-6000	Start			514.0	583.0	652.0	722.0						
	Finish			404.0	492.0	580.0	668.0	668.0	668.0	668.0	668.0	668.0	668.0
16-120	Start						864.0	939.0	1004.0	1097.0	1165.0	1256.0	1321.0
	Finish						576.0	660.0	742.0	832.0	906.0	1002.0	1081.0
18-120-7000	Start	807.0	970.0	1182.0	1260.0								
	Finish	484.0	736.0	967.0	1040.0	1040.0	1040.0	1040.0	1040.0	1040.0	1040.0	1040.0	1040.0
18-120	Start				1457.0	1637.0	1875.0	2053.0	2206.0	2426.0	2585.0	2800.0	2954.0
	Finish				874.0	1036.0	1250.0	1441.0	1630.0	1840.0	2011.0	2234.0	2417.0
20-120-7200	Start	1621.0	1940.0	2325.0	2692.0								
	Finish	1025.0	1362.0	1763.0	2203.0	2203.0	2203.0	2203.0	2203.0	2203.0	2203.0	2203.0	2203.0
20-120-7300	Start				2788.0	3072.0	3471.0	3739.0	4023.0				
	Finish				1958.0	2271.0	2632.0	2983.0	3291.0	3291.0	3291.0	3291.0	3291.0
20-120	Start								4121.0	4514.0	4798.0	5181.0	5456.0
	Finish								3046.0	3423.0	3732.0	4133.0	4464.0
30-120-7600	Start	2433.0	2878.0	3466.0	4038.0								
	Finish	1622.0	2127.0	2696.0	3304.0	3304.0	3304.0	3304.0	3304.0	3304.0	3304.0	3304.0	3304.0
30-120-7700	Start				4112.0	4554.0	5113.0						
	Finish				3118.0	3542.0	4183.0	4183.0	4183.0	4183.0	4183.0	4183.0	4183.0
30-120-7800	Start						5237.0	5676.0	6072.0	6648.0			
	Finish						3871.0	4304.0	4844.0	5440.0	5440.0	5440.0	5440.0
30-120	Start								6771.0	7179.0	7772.0	8184.0	
	Finish								5134.0	5598.0	6200.0	6696.0	

Torque outputs identical for counter-clockwise models. *Italic* figures apply to spring end torque only - air end torque will be greater.

For double acting torques see page 58