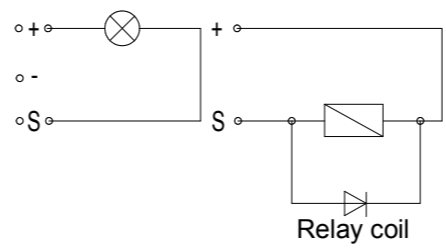
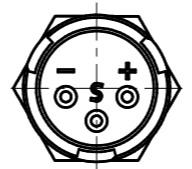
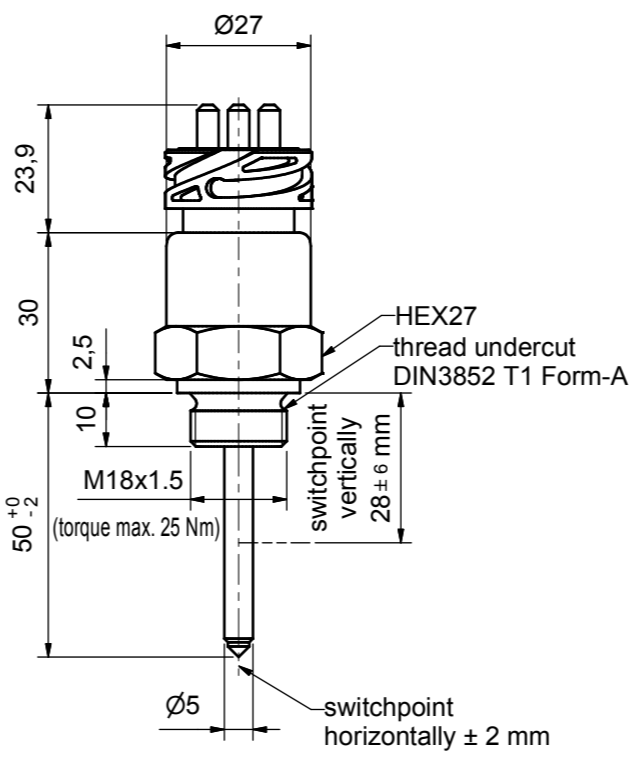


Any non-compliance shall obligate the violator to compensate for damages. In case any patent is issued or a utility model is registered, or in case of any other industrial property rights, all such rights must be reserved for us.

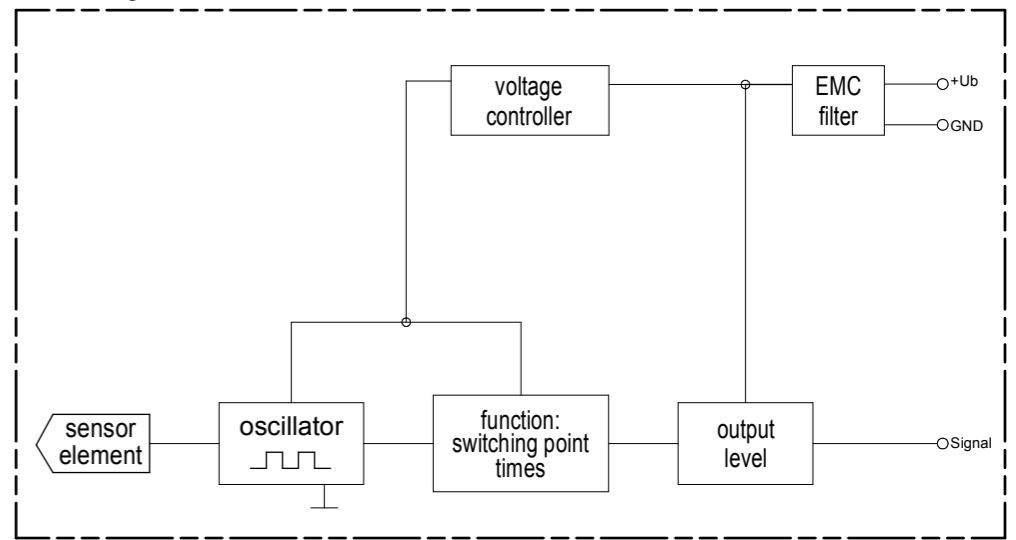
The copyright to this drawing belongs to us. No duplication or transfer to, providing access to or communicating to any third parties is allowed of its contents or excerpts thereof. This drawing may not be used without our approval for any purpose other than that for which it has been entrusted to the recipient.

BEDIA Motorentechnik GmbH & Co.KG, Altdorf bei Nürnberg

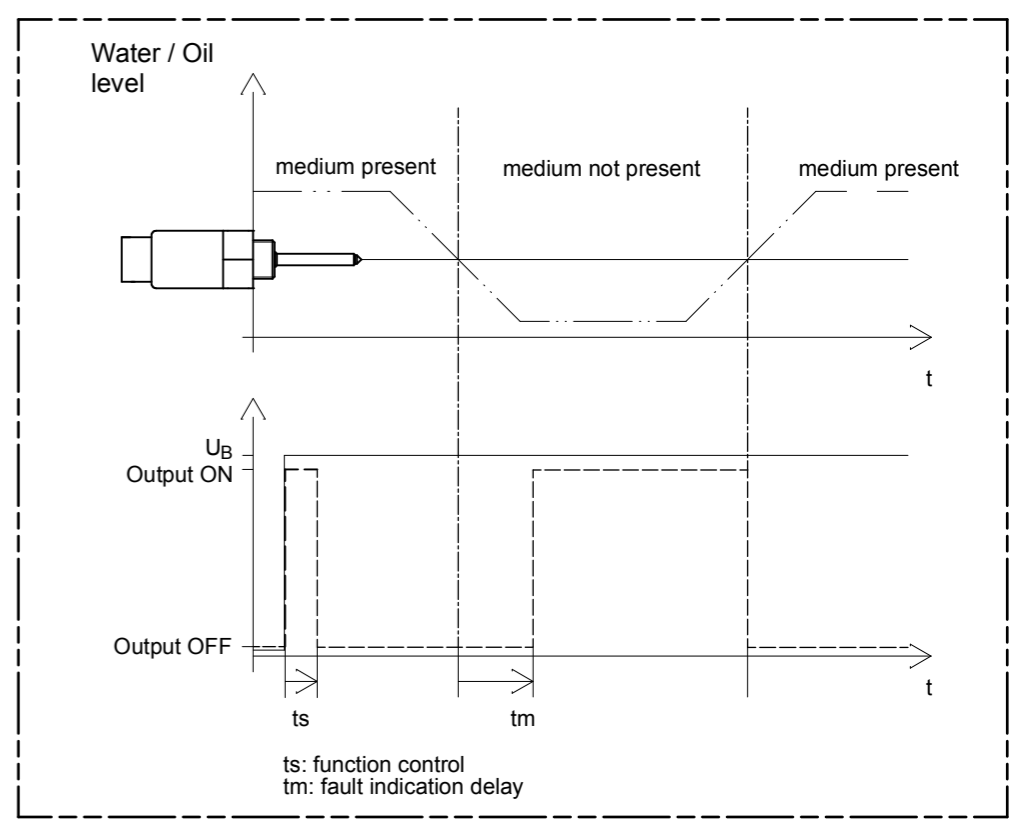
	11	10	9	8	7	6	5	4	3	2	1
Technical data											
Medium	water, coolant										
Function	Minimum - operating current (oc)										
Operating voltage	12 / 24 V (-25% / +50%) (9 - 36 VDC)										
Current consumption	typ. < 8 mA										
Output	low side switch										
	≤ 1 A over the whole temperature range										
	short-circuit and overload protected over the ambient temperature range. At inductive loads freewheeling diode e.g. 1N4007, has to be mounted at the load.										
Mounting thread	M18x1,5										
Function control	2 seconds ± 5%										
Fault indication delay	7 seconds ± 5%										
Connection	connector bayonet 16S										
Housing material	CuZn38Pb2										
	EN12164; CW608N										
	capacitive connected to ground										
Probe coating	Tefzel® ETFE										
Probe protection	IP 67 to DIN40050										
Weight	approx. 100 g										
Marking	manufacturer; type; manufacturer no.; SN; year / week; approval										
Switch point hysteresis	typ. < 3 mm										
Medium temperature	-40 °C to +125 °C (-40 °F to +257 °F)										
Ambient temperature	-40 °C to +125 °C (-40 °F to +257 °F)										
Storage temperature	-50 °C to +125 °C (-58 °F to +257 °F)										
Mounting position	optional										
Reverse polarity protection	in-built, between positive and negative terminal										
Caution!!											
	Do not connect negative potential to signal terminal of the sensor and positive potential to negative terminal of the sensor.										
Approval	<div style="border: 1px solid black; display: inline-block; padding: 2px;">e1</div> 035459										
Customs tariff number	90261029										
Environmental simulations											
Vibration	ISO 16750-3:2007 10 Hz - 2000 Hz 20 g										
Free Fall	IEC 16750										
Mechanical Shock	DIN EN 60068-2-27:1995; 100 g / 11ms										
Dry Cold	DIN EN 60068-2-1:2006; -40 °C / 24 h (-40 °F / 24 h)										
Dry Heat	DIN EN 60068-2-2:2008; +125 °C / 96 h (+257 °F / 96 h)										
Temperature cycling	DIN EN 60068-2-14:2000										
Damp Heat	DIN EN 60068-2-78:2002										
Damp Heat, steady state	DIN EN 60068-2-30:2006										
Salt spray	DIN EN 60068-2-52:1996										
Pressure resistance	2,5 MPa (25 bar / 362,6 psi) (25°C / 77°F / 1 h)										
EMC											
Radiated emission	2004/104/EG 30 MHz - 1 GHz; 1 m										
Conducted transient emission	ISO 7637-2:2004										
Immunity to RF electromagnetic fields	ISO 11452-1/-2 1000 MHz - 2000 MHz; 150 V / m (rms)										
Immunity to RF electromagnetic fields in the stripline	ISO 11452-1/-5 20 MHz - 1000 MHz; 150 V / m (rms)										
Transient immunity test on power lines	ISO 7637-2/2004 Impulse 1, 2a, 2b, 3a, 3b, 4										



Block diagram



Functional diagram for MINIMUM Probes



field of application	admissible tolerance	surface	scale 1:1	position -	amount -
	ISO2768-mK				
	date	name	description		
	created by 01.02.2010	Moderer	CLS-40 water level sensor low side switch - operating current with connector bayonet 16S		
	checked by 01.02.2010	Saß			
			drawing number	sheet	
			321570	1/1	
rev.	modification	date	name/checked by	drawing path: I:\CAD\321570\321570.dwg	