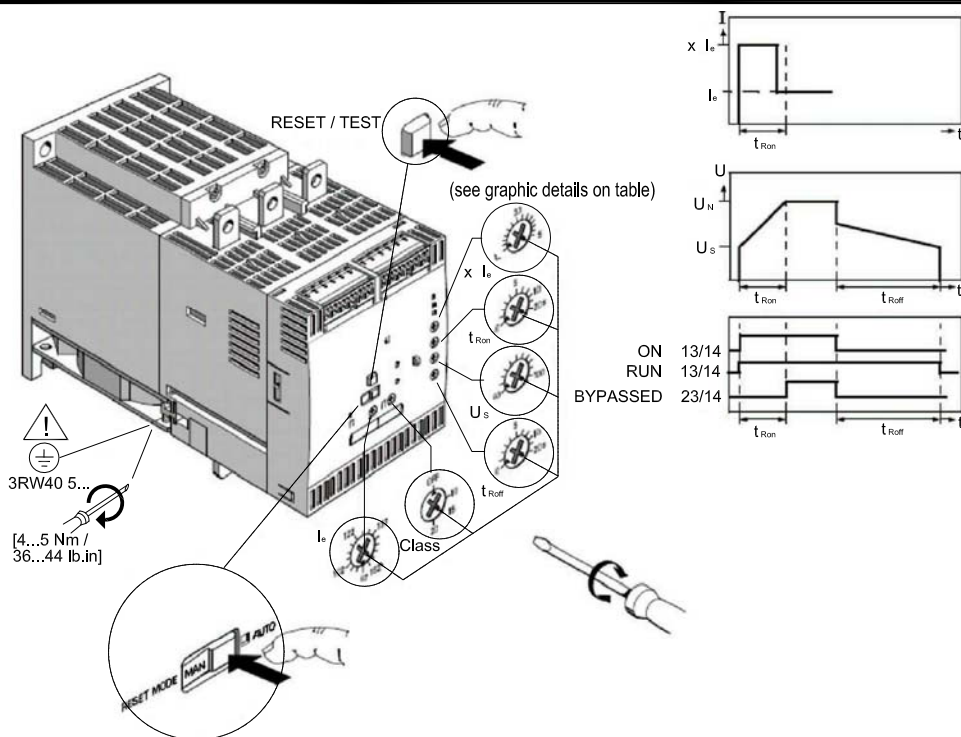


ELECTRIC FIRE PUMP CONTROLLER REDUCED VOLTAGE / SOLID STATE

SETUP & SETTING FOR MODEL 3RW4...

BULLETIN : GPS



Factory setting / Préréglage / Ajustes de fábrica

	English	Français	Español	
x Ie	Current limiting	Limitation de courant	Limitación de corriente	max.
t Ron	Acceleration time	Temps d' accélération	Tiempo de arranque	10 s
10Us	Starting voltage	Tension de départ	Tensión inicial	40 %
t Roff	Coasting time	Temps de décélération	Tiempo de rodaje por inercia	10 s
10Ie	Rated motor current	Courant nominal du moteur	Corriente nominal del motor	max.
CLASS	CLASS	Classe de déclenchement	Clase de disparo	OFF
RESET MODE	Reset mode	Mode de réarmement	Modo de rearme	AUTO

Electric Fire Pump Controller

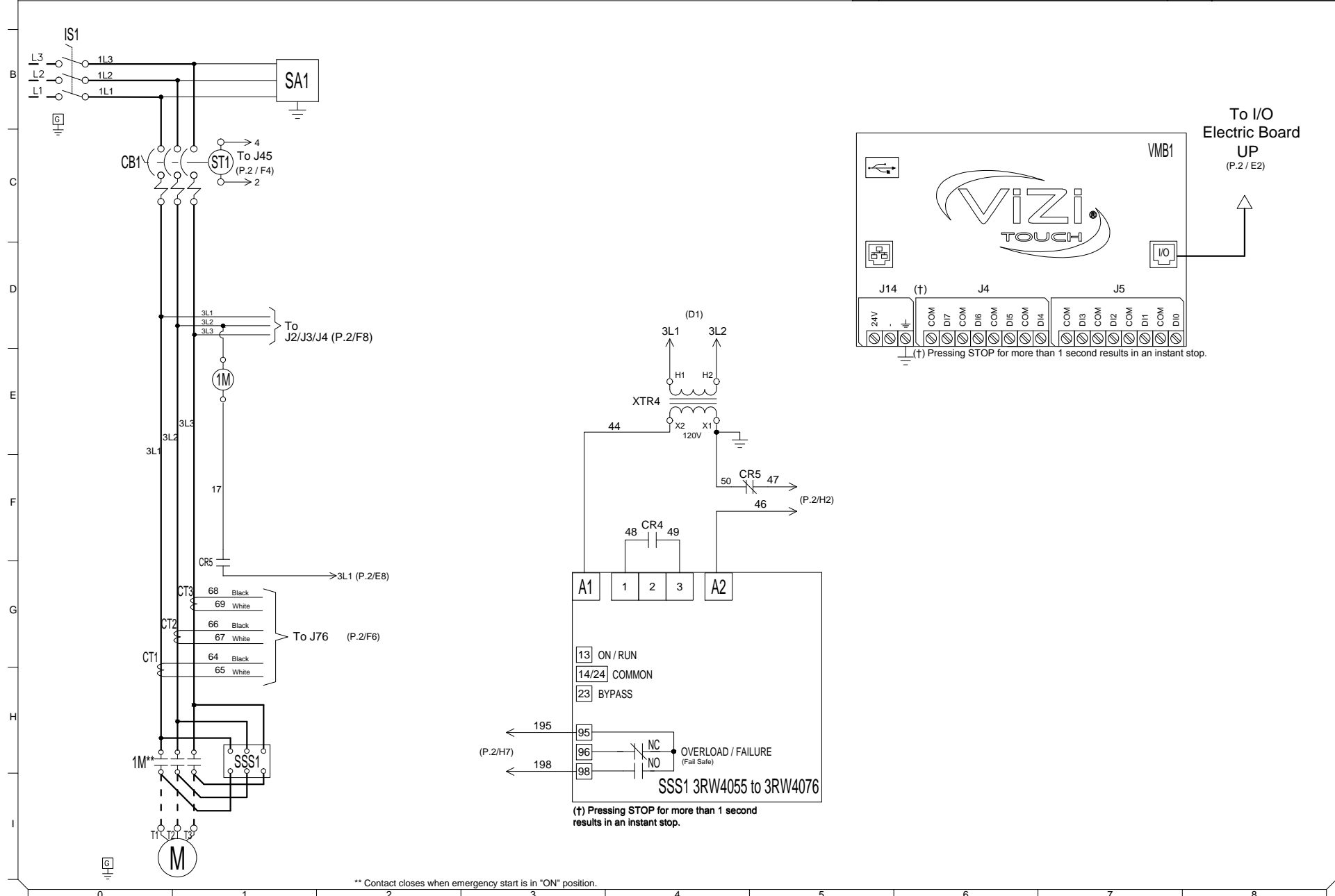
Reduced Voltage / Soft Starter

Model:GPSFM

Built to the latest edition of the NFPA 20 standard

PER QUOTE DRAWING No.		CE	FPM	
REV.	DESCRIPTION	DD/MM/YY	DRAWING NUMBER	
0	First Issue	22/10/19	Q-B1853134-SA	

Wiring schematic



** Contact closes when emergency start is in "ON" position.

Electric Fire Pump Controller

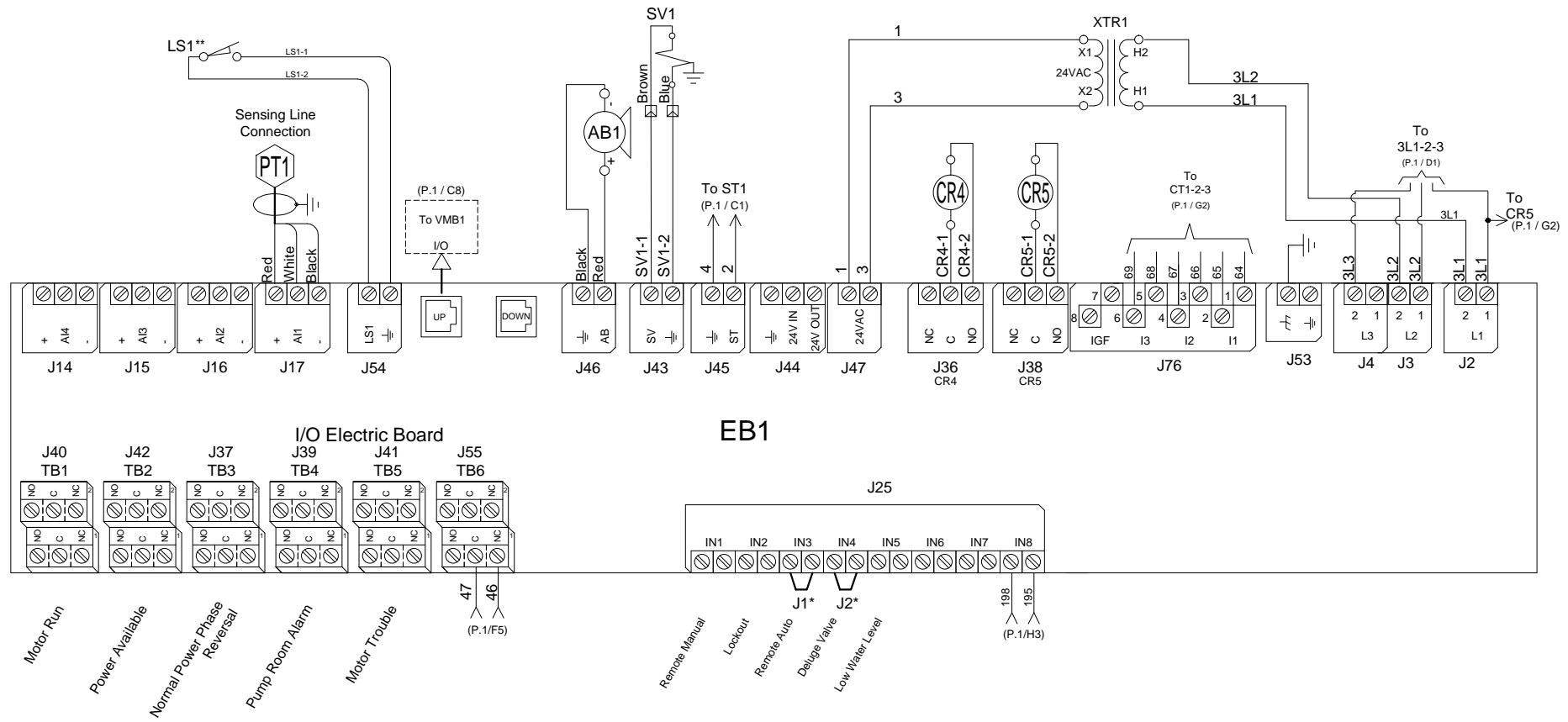
Reduced Voltage / Soft Starter

Model:GPSFM

Built to the latest edition of the NFPA 20 standard

PER QUOTE DRAWING No.		DESCRIPTION		DD/MM/YY	DRAWING NUMBER
REV.	0	First Issue		22/10/19	Q-B1853134-SA

Wiring schematic



Electric Fire Pump Controller

Reduced Voltage / Soft Starter

Model:GPSFM

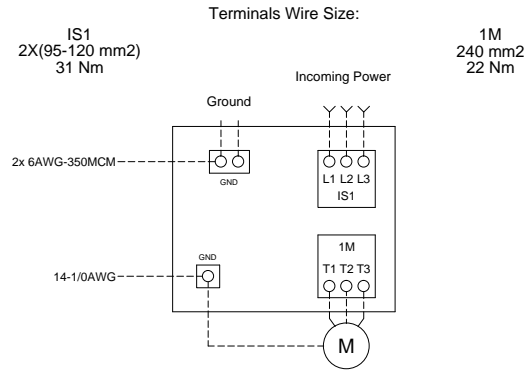
Built to the latest edition of the NFPA 20 standard

PER QUOTE DRAWING No.		CE		
REV.	DESCRIPTION	DD/MM/YY	DRAWING NUMBER	
0	First Issue	22/10/19	Q-B1853134-SA	

Terminals diagram

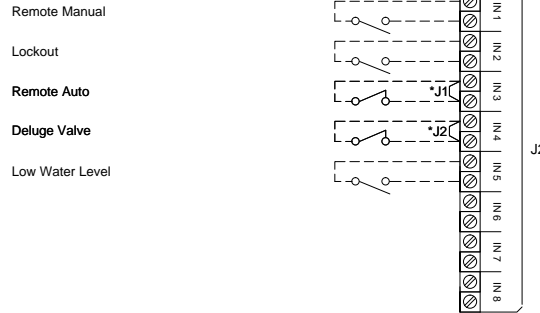
Field Connections

Normal Power Connections



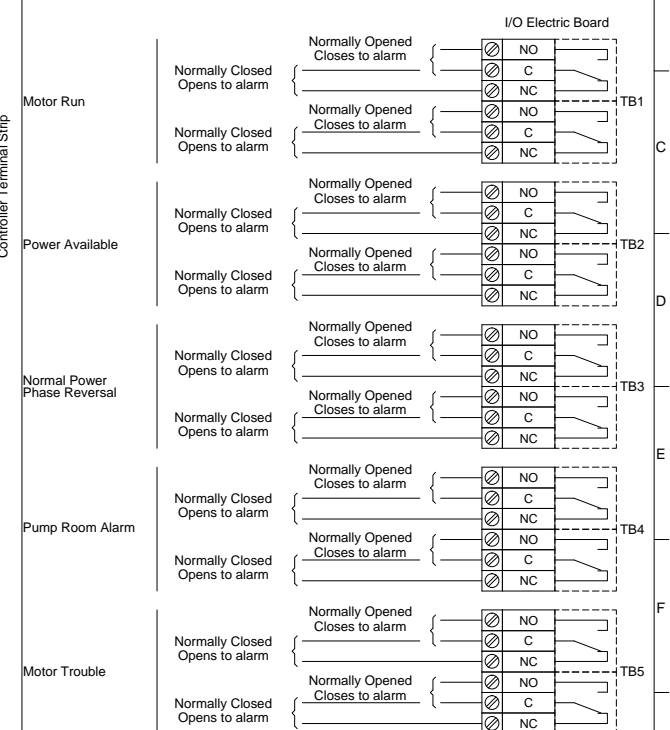
Field Connections

Terminals Wire Size:
0.5 - 4 mm²
0.5 Nm



Alarm Contacts

Terminals Wire Size:
0.5 - 2.5 mm²
0.5 Nm



Network Connections

Terminals Wire Size:
Shielded Female Connector RJ45

Modbus TCP/IP RJ45

Located on VIZITouch Main Board

* Remove this jumper to use this feature

Electric Fire Pump Controller

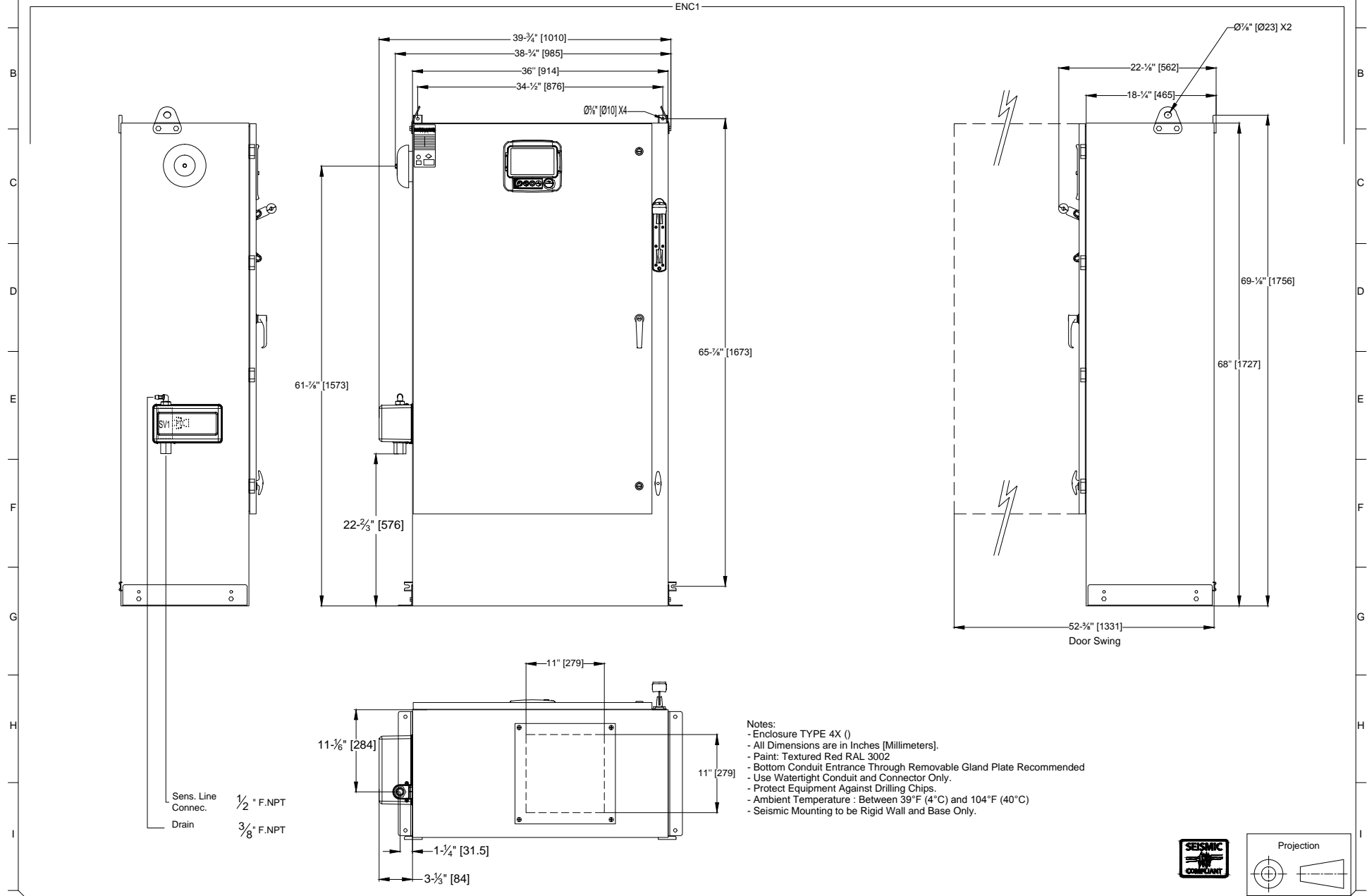
Reduced Voltage / Soft Starter

Model:GPSFM

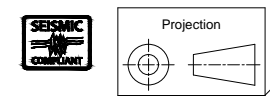
Built to the latest edition of the NFPA 20 standard

PER QUOTE DRAWING No.		CE	FPM	
REV.	DESCRIPTION	DD/MM/YY	DRAWING NUMBER	
0	First Issue	22/10/19	Q-B1853134-SA	
ENC1				

Dimensions



- Notes:
- Enclosure TYPE 4X ()
 - All Dimensions are in Inches [Millimeters].
 - Paint: Textured Red RAL 3002
 - Bottom Conduit Entrance Through Removable Gland Plate Recommended
 - Use Watertight Conduit and Connector Only.
 - Protect Equipment Against Drilling Chips.
 - Ambient Temperature : Between 39°F (4°C) and 104°F (40°C)
 - Seismic Mounting to be Rigid Wall and Base Only.



Electric Fire Pump Controller

Reduced Voltage / Soft Starter

Model:GPSFM

Built to the latest edition of the NFPA 20 standard

PER QUOTE DRAWING No.		CE		
REV.	DESCRIPTION	DD/MM/YY	DRAWING NUMBER	
0	First Issue	22/10/19	Q-B1853134-SA	

Layout

Designation	Description	TORNATECH ID
1M	Contactor 300A	CONSIE0162
AB1	Alarm Bell	BELNEW0002
CB1	Circuit Breaker 400A	BRKSIE0067
CBM1	Disconnect Switch Handle Assembly	MECTOR0260
CR4-CR5	Power Relay	RELSIE0010
CT1-CT2-CT3	Current Transformer	CTRBLO0002
EB1	I/O Relay Board	ELBTOR0036
EHS1	Emergency Handle System	MECTOR0158
ENC1	Enclosure	ENCTOR0424
IS1	Isolating Switch 400A	BRKSIE0087
PT1	Pressure Sensor	GSESCH0016
SA1	Surge Arrester 3 Phase	PROTOR0002
SSS1	Soft Starter	SOFSIE0051
SV1	Solenoid Valve	SOLGRA0007
VMB1	ViZiTouch Main Board	ELBTOR0003
XTR1	Transformer 480-24V 100VA	XTRTRA0041
XTR4	Transformer 480-120;240V 250VA	XTRMAR0004

