


WP2 -- Weatherproof Covers

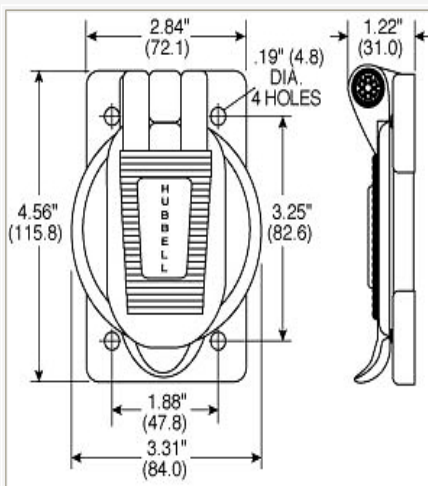


For all 4 & 5 Wire 20A & 30A Insulgrip Flanged Units

WP2

Product Specifications

Product Type	 <p>Accessories</p>
Accessory Type	Weatherproof Covers
Plate Type	1-Gang
Plate Material	Thermo-Plastic
For Use With	20 & 30A Flanged Device
Plate Mounting	FS/FD Mount
Device Color	Gray
Catalog No	Permanently ink marked on product
Flammability	UL 94 VO for Receptacles and Inlets. HB or better for Plugs and Connectors.
Operating Temperatures	Maximum Continuous 75 C Minimum -40 C (w/o impact)
Moisture Resistance	IP44
Listings	UL/CSA
UPC Number	783585392288
Weight in LBs	0.3
Link to Drawing Library	Click here for Library
Link to PDF Catalog	Click here for Catalog



WP2

Dimensional Drawing

