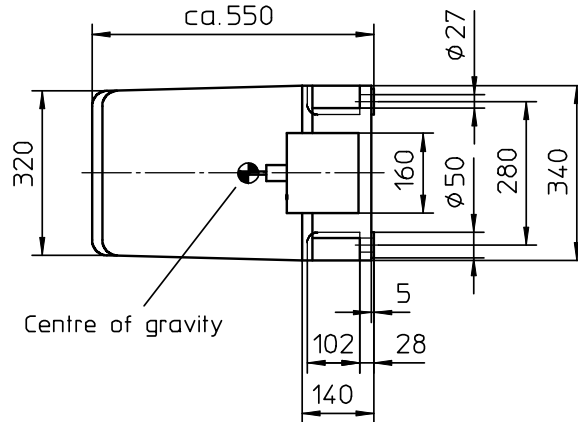
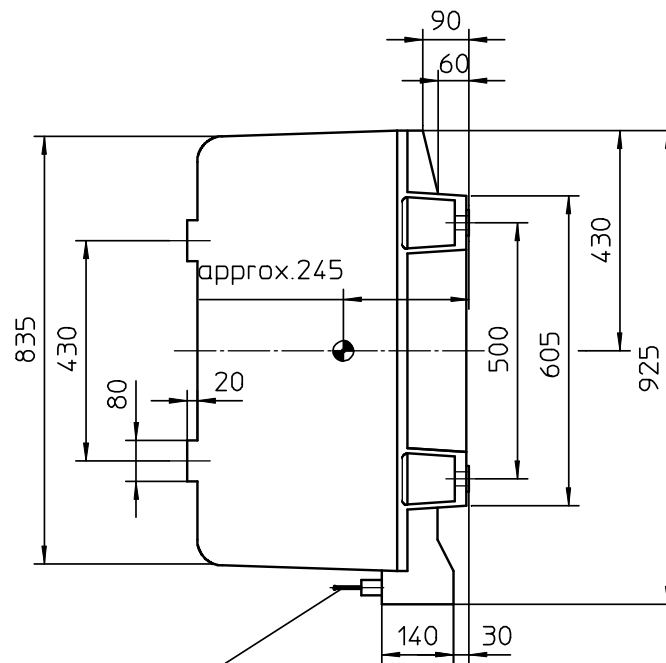


250
15



Gn,min 180 kg
Gn,max 450 kg

Drawing-no. of the characteristic curve data sheet: VIB 11-752
Drawing-no. of the spare part list: VIB 06-099




| Mounting elements for | |
|---|---|
| Taphole | Trough hole |
| 4 x Hexagon screw M24xL ISO 4017 8.8-A2G | 4 x Hexagon screw M24xL ISO 4017 8.8-A2G |
| 4 x Spring washer A24 DIN 128 FSt-A2G | 8 x Hexagon nut M24 ISO 4032 8-A2G |
| Maximum length of screw: 80 mm | |

Weight of the vibrator 310 kg

Rubber-sheathed cable
H07RN-F3G 2,5x3000 lg

Degree of protection: IP55

90
11

| | | | |
|--|---|------------------------------------|-------------------------|
| observe protection mark acc. to DIN 34 |  | weldment acc. to EN ISO 13920-BF | scale: 1:10 |
| | | date: 25.04.02 | name: Belfuse |
| | | norm: A3 - ME10 | name: Magnetic Vibrator |
| | | | name: MVG 50-2 |
| | | AVITEQ Vibrationstechnik | drawing no.: 04_633_EN |
| | | | version: 0 |
| | | | sheet: 1 |
| | | | of 1 sh |
| vers | modification | date | name |
| | | | orig: |
| | | | subst. f |
| | | | subst by |