

Vacuum cup filter

VFT G3/4-IG 80

Part no.:10.07.01.00128

<https://www.schmalz.com/10.07.01.00128>

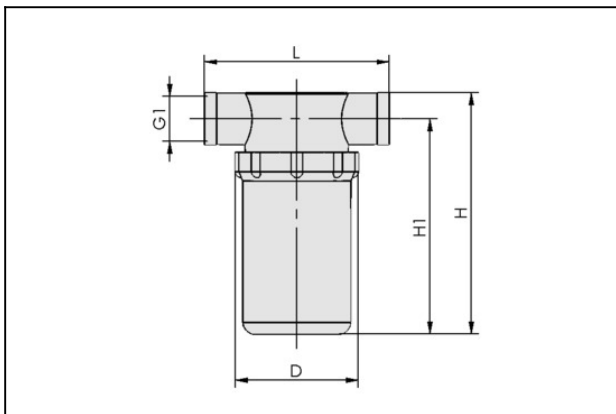
Homepage > Vacuum Technology for Automation > Vacuum Components > Filters and Connections > Vacuum Filters > Vacuum Cup Filters VFT > VFT G3/4-IG 80

Vacuum cup filter with transparent housing and replaceable filter



Connection: G3/4"-F
 Shape: Long filter insert
 Nominal flow rate: 36 m³/h
 Filter pore size: 80 µm

Design Data



Attribute	Value
D	75 mm
G1	G3/4"-F
H	136.5 mm
H1	118 mm
L	90.5 mm

Technical Data

Attribute	Value
Connection	G3/4"-F
Nominal flow rate	600 l/min
Nominal flow rate	36 m ³ /h

Contact to Schmalz

J. Schmalz GmbH | Johannes-Schmalz-Straße, 72293 Glatten, Deutschland | +49 7443 2403-102 | customercenter@schmalz.de

Vacuum cup filter

VFT G3/4-IG 80

Part no.:10.07.01.00128

<https://www.schmalz.com/10.07.01.00128>

Attribute	Value
Max. vacuum	-990 mbar
Overpressure (max) at 25°C	7 bar
Overpressure (max) at 50°C	5 bar
Filter pore size	80 µm
Weight	164 g

Spare Parts



FILT-EINS 80 39x89 PE VFT-3/4

Part no.10.07.01.00145

Filter insert (round)

Filter pore size: 80 µm

External diameter D: 39 mm

Length L: 89 mm

Filter material: Polyethylene

for: Filters VFT

Size: 3/4



HTR-FIL 2S WI VFT3/4

Part no.10.07.01.00229

Filter holder for attaching the

Filter connect.: 2 Screws

Shape: angled

for: Filters VFT 3/4

Vacuum cup filter

VFT G3/4-IG 80

Part no.:10.07.01.00128

<https://www.schmalz.com/10.07.01.00128>



DR 57-51x3.2 NBR

Part no.10.07.01.00155

Sealing element

External diameter D: 57 mm

Internal diameter d: 51 mm

Material: Nitrile rubber NBR