



IS Heat Detector Salwico HC 100 A2-IS

Part no. 38010

System: All Salwico Fire Alarm Systems

Description

The HC100 A2 is an intrinsically safe conventional heat detector for use with all Salwico Fire Alarm Systems.

The detector is designed for use in areas with high explosion risk. It is connected via an intrinsically safe interface.

The heat sensing element is of thermistor type with a short response time to changes in the ambient temperature. Alarms are optically indicated until they are reset on the central.

Safety data

Max input voltage (U_i)	25.2 VDC
Max input current (I_i)	93 mA
Max input power (P_i)	585 mW
Max internal capacitance (C_i)	53.4 nF
Max internal inductance (L_i)	Negligible
Responsible manufacturer	Consilium Fire & Gas, www.consilium.se

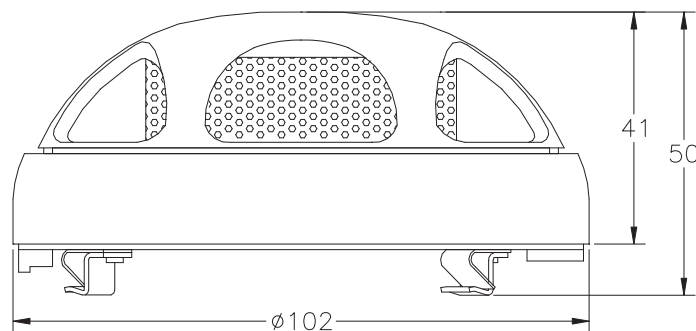
Only clean outside of detector by using a damp cloth.

Data

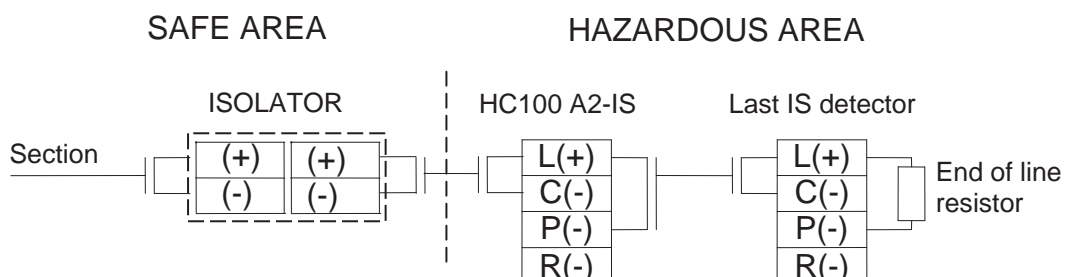
Function	Conventional
Nominal voltage	24 VDC
Working voltage	19-28 VDC
Alarm temperature	57°C
Classification	A2, EN54-5:2000
Ex class	II 1G EEx ia IIC T5 Ta 70°C
Cert. NEMKO	06ATEX1267X
CE	CE0470
Working current	< 25 μ A
Alarm current	max 54 mA
Ingress protection	IP43/55 depending on base
Ambient humidity	95% at 55°C
Temperature range	-10°C to +70°C
Material	PC/ABS
Colour	White
Weight	~95 g

For information about suitable base plates, see separate document "Base matrix Salwico units".

Dimensions (mm)



Connection



Specifications may be subject to change for improvement without prior notice

Data sheet no: 38010.HC100 A2IS.10.1.E



Consilium Marine AB

P.O. Box 8763, SE-402 76 Göteborg
Phone +46 31 7107700 Fax +46 31 7107800
www.consilium.se