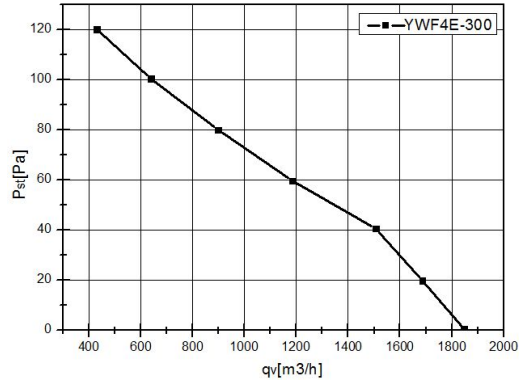


DRAWING NO

FAN CURVE:



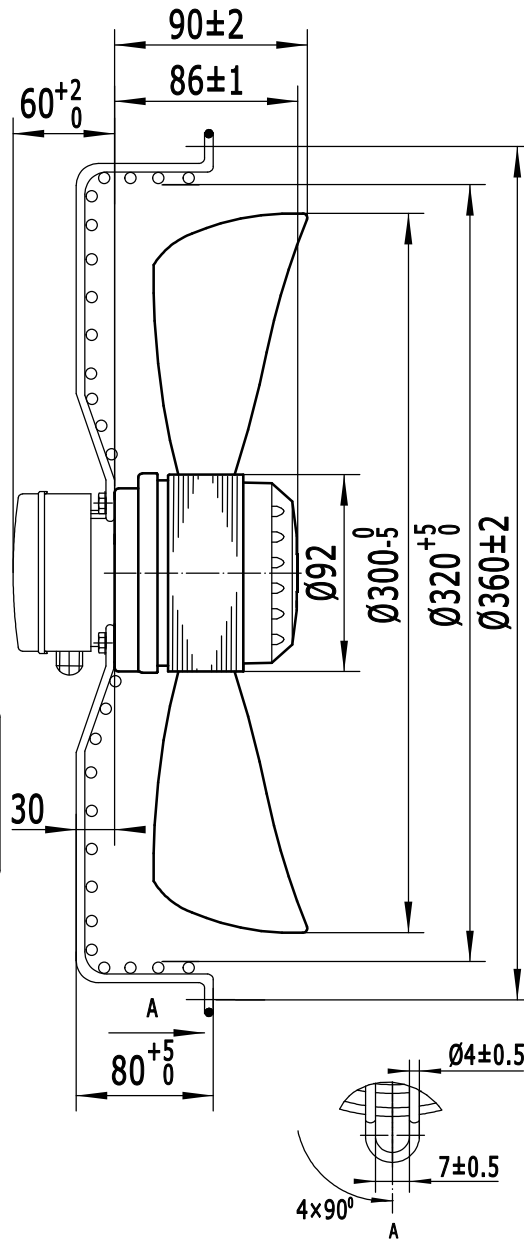
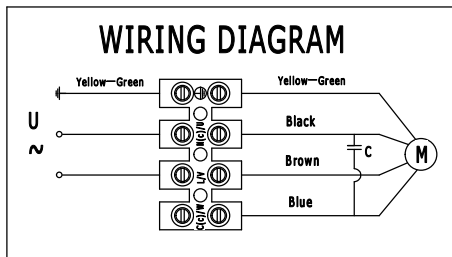
sucking
Direction of airflow "S"

LABEL:

WEIGUANG® Axial Fan Motor
YWF4E-300S-92/35-G

220V 50Hz 0.42A 39/85W
1380r/min 3 μ F/450V CL.B XX/XX

Wiring diagrams:



Axial fan motor

HANGZHOU WEIGUANG ELECTRONIC CO.,LTD.

Unit: axial fan motor

Type:

Motor: single phase motor with capacitor

Customer:

Motor type: YWF4E-300S-92/35-G

Customer-type:

TYPE	Voltage v	Frequency Hz	Input power W	Current A	Speed r/min +/-5%	Air volume m³/h	noise level dBA	capacitor μ F/ VDB
YWF4E-300S-92/35-G	220	50	85	0.42	1380	1690(20Pa)	60	3 μ F/450V

Insulation class : B

Operating type: S₁

Permissible ambient temperature : -30~60°C

Temperature increase: $\Delta T \leq 75k$

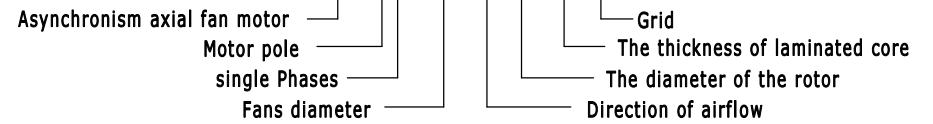
Motor protection:thermocontact 135±5°C

Bearings: ball bearings

License: CE CCC

Model meanings:

YWF 4E-300 S-92/35-G



Electrical connection:lead wire Silikon 4G 0.50mm² , Length 100mm in terminal box connected

Direction of rotation: clockwise(sucking), Airflow direction:"S" looking at rotor side

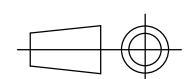
APPROX. WEIGHT

MEANS

REV.	DESCRIPTION	APPROVED	DATE	DECIMAL	TOLERANCE	SIGN	DATE
				X	±0.5	DRN. BY	
				X.X	±0.25	CHD. BY	
				X.XX	±0.15	ENG. BY	
				ANGLE	±3°	APP. BY	

TITLE YWF4E-300S-92/35-G

PROJECTION



A4
SCALE
SHEET: of