



## DATA SHEET

Customer:	
Ref.:	
Order:	
Motor:	
Serial nr:	
Date:	30-03-2020

### ASYNCHRONOUS MOTOR 4A3 90L-4

#### Nameplate data:

Code: 121145

Type:	4A3 90L-4			IP55	F/B	Amb. temp.: Max. 40°		
kW	Hz	V	A	Rpm	Cos	Eff.	Duty	IE.class
1,50	50	230D	5,74	1430	0,77	85,6%	S1	IE3
1,50	50	400 Y	3,30	1430	0,77	85,6%		
1,80	60	460 Y	3,44	1716	0,77	85,6%		

#### Description:

Mounting form:	B5
Bearing DE:	6205-2Z/C3
Bearing NDE:	6205-2Z/C3
Weight - Kg.:	19,6
Heater:	No Heater
PTC:	No PTC
Kgm <sup>2</sup> :	0,0027
Sound press.-db(A):	52,0

#### Other:


#### Test data S1-duty, Amb.temp 40°C:

Voltage - V:	400
Frequency - Hz:	50
Power - kW:	1,50
Full load speed - Rpm:	1430
Full load current - A:	3,30
Full load power factor - Cos:	0,77
Locked rotor current - A:	23,1
Locked rotor factor - A <sub>st</sub> /A <sub>n</sub> :	7,0

Efficiency 100% load - %:	85,6%
Efficiency 75% load - %:	86,2%
Efficiency 50% load - %:	84,8%
Full load torque - Nm:	10,0
Locked rotor torque - Nm:	23,0
Locked rotor torque - Nm <sub>st</sub> /Nm <sub>n</sub> :	2,3
Max. Pull out torque - Nm:	23,0
Max. Pull out torque. - Nm <sub>st</sub> /Nm <sub>n</sub> :	2,3

Over load/speed test	kW	Hz	V	A	Rpm
Over load 160% - 15sec.	2,40	50	400	5,28	1430
Over speed 125% - 2 min.	1,5	63	400	3,30	1788
H-Pot test voltage: 1800V			Temp. rise in stator:		

The motor is produced in accordance with following harmonized standards:

IEC60034-1, IEC60034-2, IEC60034-5, IEC60034-6, IEC60034-7, IEC60034-8, IEC60034-9  
IEC60034-12, IEC60034-14, IEC60034-30, IEC60072.

Additional specifications in accordance with:

RINA - GL - LRS - BV - DNV - ABS - KR - RR - CCS - CCC - RMRS.

#### Bevi Group:

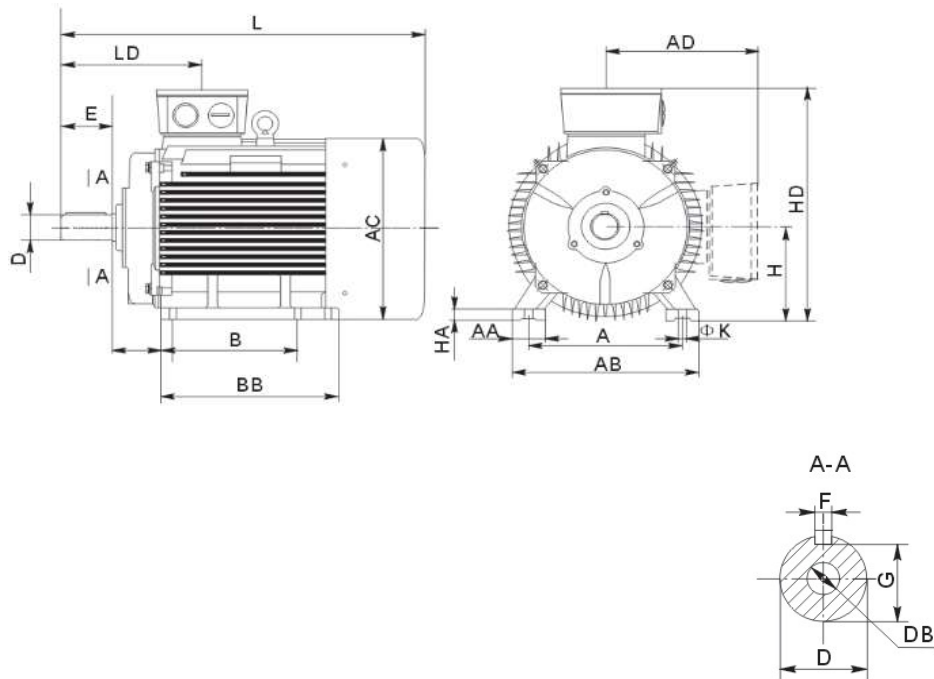
BEVI AB, Sweden	www.bevi.se	sales@bevi.se	+46 499 271 00
BEVI A/S, Denmark	www.bevi.dk	bevi@bevi.dk	+45 39 67 36 05
BEVI Norge A/S, Norway	www.bevi.no	info@bevi.no	+47 22 07 66 50
BEVI Finland OY AB, Finland	www.bevi.fi	info@bevi.fi	+358 9 2709 1210
BEVI CHINA, China	www.bevi.cn	sales@bevi.cn	+86 21 5032 5200



## DATA SHEET

Customer:	
Ref.:	
Order:	
Motor:	
Serial nr:	
Date:	30-03-2020

### Foot mounted motor 4A3 90L-4 B3



A: 140	HD: 240	E: 50
B: 125	C: 56	D: 24
AB: 178	H: 90	G: 20
AC: 180	K: 10	DB: M8
AD: 150	L: 375	F: 8
LD: 125	L (V1): 425	

#### Bevi Group:

BEVI AB, Sweden  
 BEVI A/S, Denmark  
 BEVI Norge A/S, Norway  
 BEVI Finland OY AB, Finland  
 BEVI CHINA, China

[www.bevi.se](http://www.bevi.se)  
[www.bevi.dk](http://www.bevi.dk)  
[www.bevi.no](http://www.bevi.no)  
[www.bevi.fi](http://www.bevi.fi)  
[www.bevi.cn](http://www.bevi.cn)

[sales@bevi.se](mailto:sales@bevi.se)  
[bevi@bevi.dk](mailto:bevi@bevi.dk)  
[info@bevi.no](mailto:info@bevi.no)  
[info@bevi.fi](mailto:info@bevi.fi)  
[sales@bevi.cn](mailto:sales@bevi.cn)

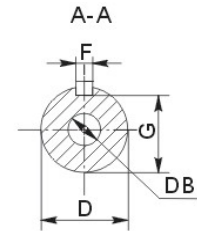
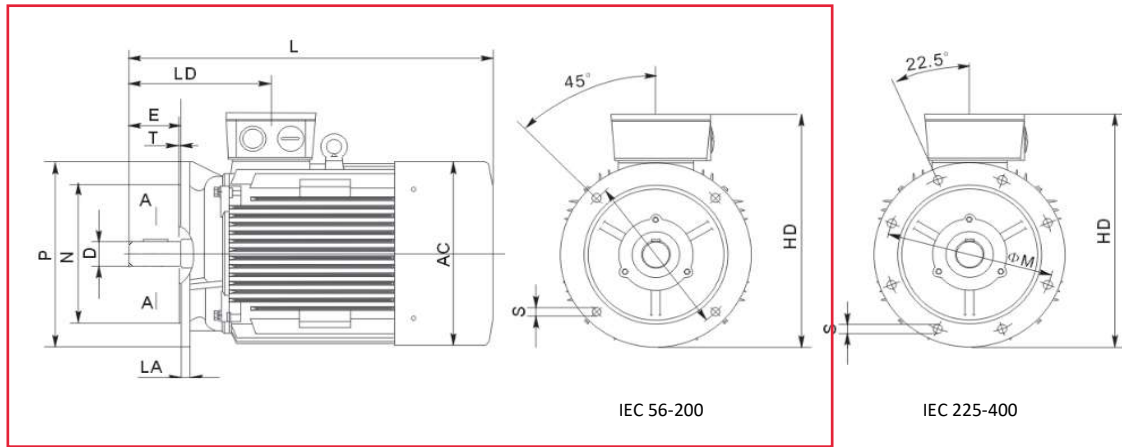
+46 499 271 00  
 +45 39 67 36 05  
 +47 22 07 66 50  
 +358 9 2709 1210  
 +86 21 5032 5200



## DATA SHEET

Customer:	
Ref.:	
Order:	
Motor:	
Serial nr:	
Date:	30-03-2020

### Flange mounted motor 4A3 90L-4 B5



M: 165	HD: 240	E: 50
N: 130	L: 375	D: 24
P: 200	L (V1): 425	G: 20
S: 12	LD: 125	DB: M8
		F: 8

#### Bevi Group:

BEVI AB, Sweden  
 BEVI A/S, Denmark  
 BEVI Norge A/S, Norway  
 BEVI Finland OY AB, Finland  
 BEVI CHINA, China

[www.bevi.se](http://www.bevi.se)  
[www.bevi.dk](http://www.bevi.dk)  
[www.bevi.no](http://www.bevi.no)  
[www.bevi.fi](http://www.bevi.fi)  
[www.bevi.cn](http://www.bevi.cn)

[sales@bevi.se](mailto:sales@bevi.se)  
[bevi@bevi.dk](mailto:bevi@bevi.dk)  
[info@bevi.no](mailto:info@bevi.no)  
[info@bevi.fi](mailto:info@bevi.fi)  
[sales@bevi.cn](mailto:sales@bevi.cn)

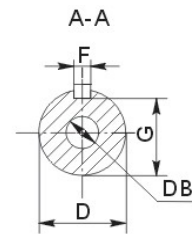
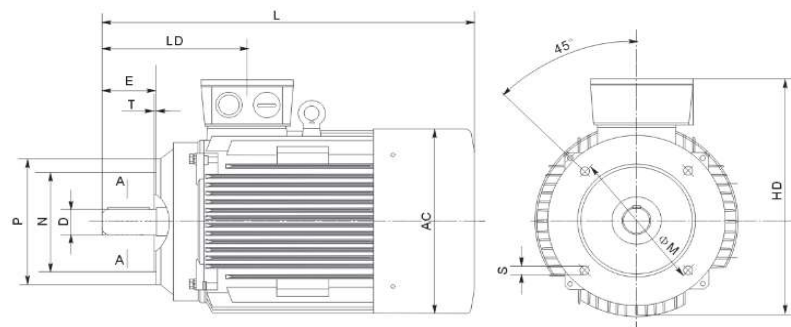
+46 499 271 00  
 +45 39 67 36 05  
 +47 22 07 66 50  
 +358 9 2709 1210  
 +86 21 5032 5200



## DATA SHEET

Customer:	
Ref.:	
Order:	
Motor:	
Serial nr:	
Date:	30-03-2020

### Flange mounted motor 4A3 90L-4 B14A + (B14B)



Flange type: B14A		B14B				
M:	115	130	HD:	240	E:	50
N:	95	110	L:	375	D:	24
P:	140	160	L (V1):	425	G:	20
S:	M8	M8	LD:	125	DB:	M8
					F:	8

#### Bevi Group:

BEVI AB, Sweden  
 BEVI A/S, Denmark  
 BEVI Norge A/S, Norway  
 BEVI Finland OY AB, Finland  
 BEVI CHINA, China

[www.bevi.se](http://www.bevi.se)  
[www.bevi.dk](http://www.bevi.dk)  
[www.bevi.no](http://www.bevi.no)  
[www.bevi.fi](http://www.bevi.fi)  
[www.bevi.cn](http://www.bevi.cn)

[sales@bevi.se](mailto:sales@bevi.se)  
[bevi@bevi.dk](mailto:bevi@bevi.dk)  
[info@bevi.no](mailto:info@bevi.no)  
[info@bevi.fi](mailto:info@bevi.fi)  
[sales@bevi.cn](mailto:sales@bevi.cn)

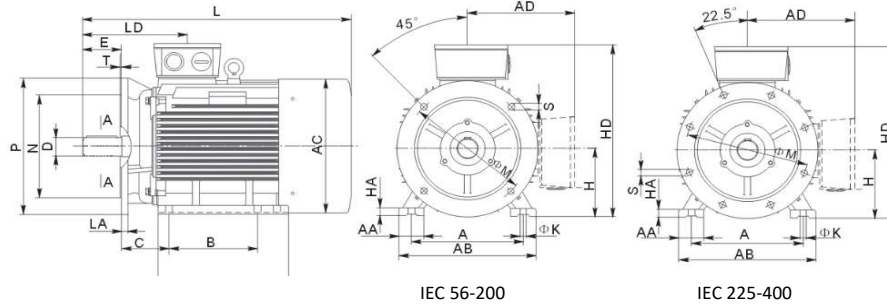
+46 499 271 00  
 +45 39 67 36 05  
 +47 22 07 66 50  
 +358 9 2709 1210  
 +86 21 5032 5200



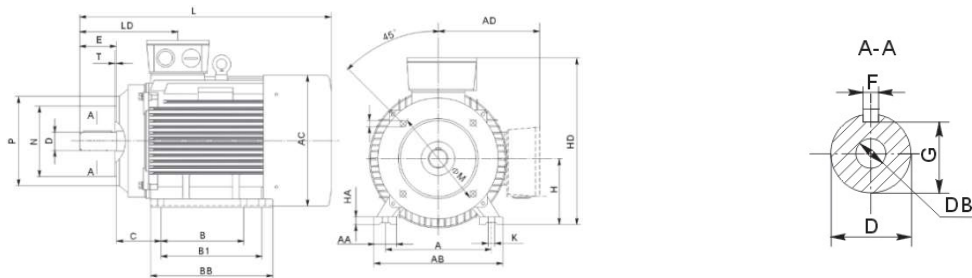
Customer:	
Ref.:	
Order:	
Motor:	
Serial nr:	
Date:	30-03-2020

## DATA SHEET

### Foot & flange mounted motor 4A3 90L-4 B3/B5



### 4A3 90L-4 B14A + (B14B)



#### Flange type: B5

M: 165  
N: 130  
P: 200  
S: 12

A: 140  
B: 125  
AB: 178  
AC: 180  
AD: 150  
LD: 125

#### B14A

M: 115  
N: 95  
P: 140  
S: M8

HD: 240  
C: 56  
H: 90  
K: 10  
L: 375  
L (V1): 425

#### (B14B)

M: 130  
N: 110  
P: 160  
S: M8

E: 50  
D: 24  
G: 20  
DB: M8  
F: 8

#### Bevi Group:

BEVI AB, Sweden  
BEVI A/S, Denmark  
BEVI Norge A/S, Norway  
BEVI Finland OY AB, Finland  
BEVI CHINA, China

[www.bevi.se](http://www.bevi.se)  
[www.bevi.dk](http://www.bevi.dk)  
[www.bevi.no](http://www.bevi.no)  
[www.bevi.fi](http://www.bevi.fi)  
[www.bevi.cn](http://www.bevi.cn)

[sales@bevi.se](mailto:sales@bevi.se)  
[bevi@bevi.dk](mailto:bevi@bevi.dk)  
[info@bevi.no](mailto:info@bevi.no)  
[info@bevi.fi](mailto:info@bevi.fi)  
[sales@bevi.cn](mailto:sales@bevi.cn)

+46 499 271 00  
+45 39 67 36 05  
+47 22 07 66 50  
+358 9 2709 1210  
+86 21 5032 5200