



FUTURA: the design revolution in LED-based traffic signalling

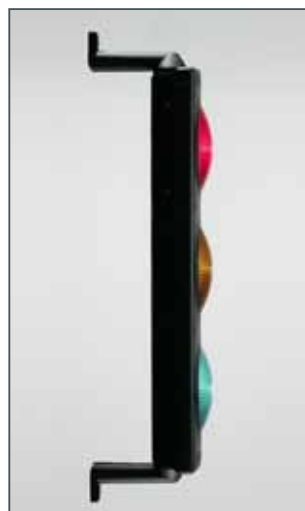
FUTURA

ECO-DESIGNED LED TRAFFIC SIGNAL

SWARCO FUTURIT, world leader in the development and production of traffic signal heads, once more demonstrates its pioneering spirit. FUTURA is the world's first traffic signal developed under eco-design principles and sets a new level in 21st Century traffic signalling.

FUTURA: BEAUTIFUL – ECONOMICAL – ENVIRONMENTALLY FRIENDLY

FUTURA's slim and elegant design will change the look of urban landscapes around the globe. At the same time FUTURA offers a new level of efficiency and environmental respect. Choosing FUTURA allows you to contribute to the reduction of CO2 emissions from product manufacture and energy reduction. Move the green way with us!



FUTURA: cutting-edge traffic signal technology

KEY BENEFITS

When you choose FUTURA you get the first polycarbonate traffic signal head purely designed for LED technology.

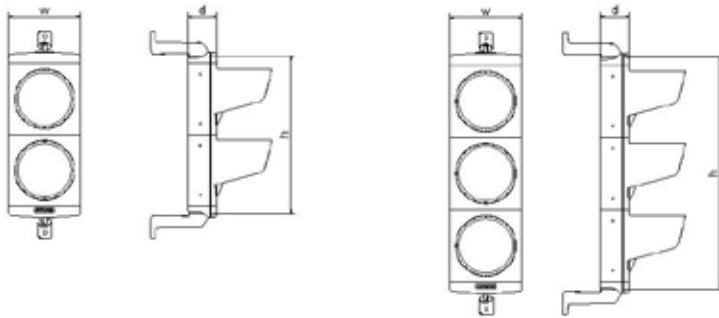
- FUTURLED optic ensures highest energy efficiency
- optically appealing modern design
- slim design perfectly blends into historical urban areas
- available in \varnothing 100 / 210 / 300 mm
- optimised for strength and stability
- tamper proof - cannot be opened by unauthorised persons
- available in different colours and colour combinations
- can be mounted vertically as well as horizontally
- easy to mount backing boards



AWARD WINNING PRODUCT

Nomination for Austria's National Award Focus 2008: Efficiency in climate protection
CREATECH contest, special recognition, ideas in traffic technology and creative business

TECHNICAL DETAILS: FUTURA - TRAFFIC SIGNAL



DIMENSIONS		
Lens diameter	Number of aspects	w / h / d [mm]
100 mm	1	160 / 202 / 95
	2	160 / 322 / 95
	3	160 / 442 / 95
210 mm	1	260 / 316 / 105
	2	260 / 576 / 105
	3	260 / 836 / 105
300 mm	1	350 / 406 / 140
	2	350 / 756 / 140
	3	350 / 1106 / 140

TECHNICAL DETAILS

Material	UV-stabilized polycarbonate
Diameters	100, 210, 300 mm (100 mm signal with aluminium back to increase stability against vandalism) aspects: 1, 2, 3 as standard; more aspects on request
Optic	100 / 210 / 300 mm FUTURLED (see separate folder)
Mounting / Backing Boards	two point fixing/mounting by means of brackets in different lengths of 168 mm (polycarbonate) and 105 mm, 183 mm, 240 mm (aluminium) two point fixing/mounting on cantilever bracket backing Backing Boards: fixation via bracket

TECHNICAL DETAILS

Housing colours	pebble-grey (RAL 7032) fir-green (RAL 6009) black (RAL 9005) orange (RAL 2000) silver-grey (RAL 7001) combinations (frontside/backside) available on request
Impact resistance	acc. to EN60598-1; class IR 3 acc. to EN12368
Change of temperature	EN60068-2-14 passed
Vibration test	EN60068-2-64 passed
Damp heat test	EN60068-2-30 passed
Certified	in accordance with EN12368 CE certification obtained
Ingress protection	water- and dust-proof (IP55) – EN60529; equals class IV acc. to EN12368

YOUR LOCAL CONTACT



SWARCO FUTURIT

SWARCO FUTURIT is the leading global player in LED-based signalling technology. The company specialises in traffic lights, variable message signs, street lighting and railway signals using the very latest developments in light emitting diode (LED) technology offering ecological friendliness and the advantages of low failure rate, energy-saving and a long operating life.

Customers in over 60 countries around the world rely on the outstanding quality of SWARCO FUTURIT products, made in Austria to the highest standards and supporting road safety and improved traffic flows.