



Control Box CB9 CARELINE[®]

Data sheet

CB9 CARELINE®

The CB9 CARELINE® has been developed for use together with LA31/LA31R, LA34/LA34R* in the Care & Rehab industry. CB9 and LA31 can be fully integrated which saves mounting and wiring or be installed separately.

Exchangeable mains cables, Electronic Overload Protection (EOP), EAS, earth connection (Class 1) and exchangeable mains fuse makes CB9 a good choice for the simple hospital and care beds.

* The combination of LA34R/CB9 "PX" is only available as a special article.



Features and options:

- Connection of max. 4 actuators, type LA31/LA31R and LA34/LA34R, via 4-pole DIN sockets.
- Extremely compact design.
- Mains voltage: 100/120/230V AC 50-60 Hz
- Output voltage 24V DC
- Protection class: IPX4 or IPX6 (not for wash tunnels)
- Colour: Grey or black
- DIN-socket for handsets:
 - Ax types : HB40, HB60, HB70, DP or FS
 - Px types : HB4XE, HB5XE, HB60M (PM/PN versions), HB7XE/W, DPXE or DP1M
- 3.2 m exchangeable straight mains cable
- EOP = Electronic Overload Protection.
 - AJ and AL types CH1 + 2 (3.4A) and CH3 + 4 (7A) common current cut off.
 - AS type via individual current cut off.
- Px type via pulse measurement.
- Locking mechanism for DIN plugs and mains cable.
- Electronic protection of the relays for extended lifetime, EAS (simple EAS); available on AC, AJ, AK, AF, AL, AM and Px (not PM and PN) types.
- Double power control (FET + relay) monitoring on all AC, AJ, AK, AF, AL & AM types
- Class 1 or 2 protection

- Power supply indication via an LED. Not available with mains cut-off.
- Exchangeable mains fuse from outside
- External battery back up and internal charger (only AC, AJ, AK, AF, AL and AM types; use notation A for ordering)
- External battery back-up (no internal charger) (only AC, AJ, AK, AF, AL and AM types; use notation B for ordering)
- External battery back-up alarm (only AC, AJ, AK, AF, AF and AM).
- Short cut protection: only AC, AJ, AK, AF, AL and AM (15A)

Only available in Px types:

- Choice of 8 different standard software packages. All standard software packages have either impulse memory or memory. To use memory in general a handset with memory has to be chosen.
- Energy saving function (the control box restores to power down when not operated)
- Compact high power toroidal transformer with low power consumption and low electromagnetic emission
- All actuators, which are used together with Px types, must be equipped with reed switch and connected with a DIN-plug.

continue

AC and AF: Means common measurement on CH1, CH2, CH3 and CH4. If the total current exceeds 5A all channels will be cut off.

AJ and AL: Means a common current measurement on CH1+2. The current will be cut off when the total current on both channels reaches approx. 3.4A and 7A on CH3+4.
Note: CH1+2 = LA31 connection and CH3+4 = LA31/LA34 connection.

AK and AM: Means common measurement on CH1, CH2, CH3 and CH4. If the total current exceeds 7A all channels will be cut off.

AS: Means an individual current measurement on CH1, CH2, CH3 and CH4.
The current will be cut off only when the current on one channel reaches approx. 4A.
Max. current available from the CB9 transformer is approx. 7A.

Px: Means Electronic Overload Protection via a pulse measurement.

- Can be mounted on the LA31
- Customised software may be ordered. Please see the guidelines for design of special software!

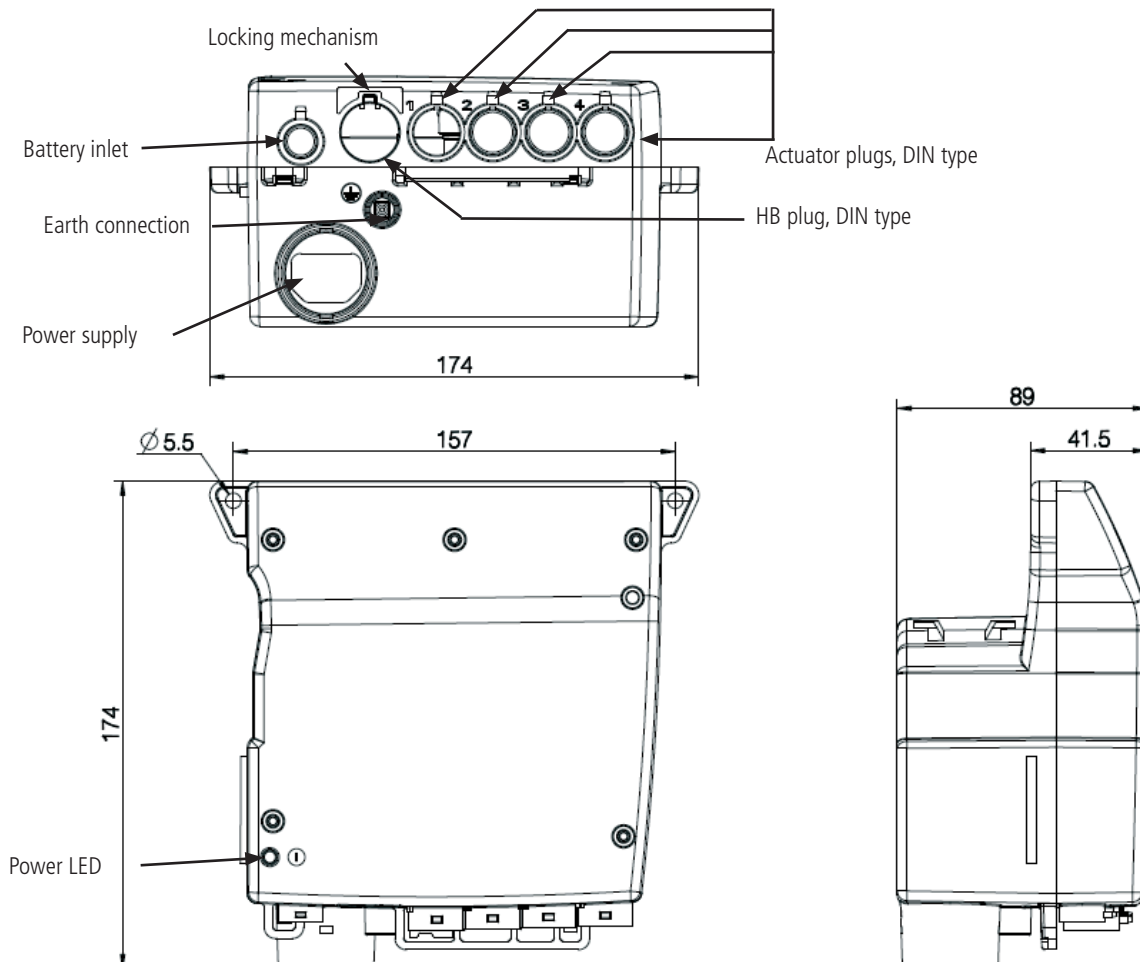
Usage:

- Duty cycle: Max. 10% or 2 min. continuous use followed by 18 min. not in use
- Ambient temperature: +5° to +40°C
- Compatible with up to 4 actuators, type LA31/LA31R and LA34/LA34R, via 4-pole DIN sockets
- Compatible with BA18.
- Medically approved according to EN 60601-1/UL 60601-1

Various information:

- It is possible to order blind plugs for CB9 CARELINE IPx66.
- It is also possible to order blind plugs for the external battery box outlet (for BA1800)

Dimensions:



Note: The tolerance between the mounting holes is +/- 0.5 mm.

CB9 CARELINE®

Ordering example:

CB9 1 6 0 AS 4 + 0 0 0 1A

Mains cable

CARELINE, LINAK connector, without earth:

- 10 = Straight, EU, straight mains-plug-end and straight CB-end
- 11 = Coiled, EU, straight mains-plug-end and straight CB-end
- 13 = Straight, UK, angled mains-plug-end and straight CB-end
- 14 = Straight, Japan, straight mains-plug-end and straight CB-end
- 15 = Straight, USA, straight mains-plug-end and straight CB-end
- 17 = Straight, Aus, straight mains-plug-end and straight CB-end
- 19 = Without cable

Black

- SML912036
- 0015186
- SML912049
- SML912060
- SML912050
- SML912061

Grey

- SML912051
- SML912062
- SML912101

CARELINE, LINAK connector, with earth:

- 1A = Straight, EU, angled mains-plug-end and straight CB-end
- 1B = Coiled, EU, angled mains-plug-end and straight CB-end
- 1D = Straight, UK, angled mains-plug-end and straight CB-end
- 1F = Straight, USA, straight mains-plug-end and straight CB-end
- 1G = Straight, CH, straight mains-plug-end and straight CB-end
- 1H = Straight, Aus, straight mains-plug-end and straight CB-end
- 1J = Without cable

Black

- SML912098
- 0015191
- SML912099
- SML912065
- SML912066
- 0015241

Grey

- SML912100
- SML912068

CARELINE, mains cut-off, non-detachable, without earth:

- F0 = Straight, EU (only CB9-trafo)

Black

- 00WP039C00-00

Grey

CARELINE, mains cut-off, non-detachable, with earth:

- FA = Straight, EU (only CB9-trafo)

Black

- 00WP039C00-0A

Grey

Mains voltage

- 0 = CB9 transformer 230 V
- 1 = CB9 transformer 120 V
- 2 = CB9 transformer 100 V
- 3 = CB18 transformer 230 V
- 4 = CB18 transformer 120 V
- 5 = CB18 transformer 100 V

(only AF, AL, AM or AS-functionality)

(only AF, AL, AM or AS-functionality)

(only AF, AL, AM or AS-functionality)

Fuse cover

- 0 = No
- 1 = Yes

Battery

- 0 = No battery
- A = Con. for ext. 24V bat. and internal charger
- B = Con. for ext. 24V bat. (no internal charger)
- C = Con. for ext. 24V bat. internal charger and alarm

(only AC, AJ, AK, AF, AL or AM func. and not with mains cut-off)

(only AC, AJ, AK, AF, AL or AM functionality)

(only AC, AJ, AK, AF, AL or AM func. and not with mains cut-off)

Colour

- + = Grey
- = Black

No. of channels 1 - 4

Functionality

N.B. CB9Px functionality is not available for new projects!

Without microprocessor (analog)

| | Current cut-off | Compatible with rotary actuator | EAS | Only with CB18 transformer |
|----|-----------------------------------|---------------------------------|-----|----------------------------|
| AS | 4,1A at all ch. | | | X |
| AC | 5,0A at all ch. | | X | |
| AJ | 3,4A at ch.1 & 2; 7A at ch. 3 & 4 | X | X | |
| AK | 7,0A at all ch. | | X | |
| AF | 5,0A at all ch. | | X | X |
| AL | 3,4A at ch.1 & 2; 7A at ch. 3 & 4 | | X | X |
| AM | 7,0A at all ch. | | X | X |

AS-func. is not for new designs. Please use AC-func. instead!

The newer versions AJ, AK, AL, AM replace earlier versions AD, AG, AG. In comparison to earlier versions all new versions have a current limit.

With microprocessor (with memory) Not available for new projects.

| | | Impuls drive | EAS |
|----|----------------------------|--------------|-----|
| PM | Single | | |
| PN | Single, alternative funct. | X | |
| PA | Parallel on ch 1/2 | X | X |
| PB | Single | X | X |
| PC | Parallel on ch 1/2/3 | | X |
| PD | Parallel on ch 1/2/3 | X | X |
| PH | Single | | X |
| PI | Parallel on ch 1/3 and 2/4 | | X |
| PJ | Parallel on ch 1/3 and 2/4 | X | X |
| PP | Parallel on ch 1/2 | | X |

Flame Classifications

- 0 = HB
- 1 = V0

CB9 CARELINE is available in two types of plast. HB plast and fire retarding V0 plast. V0 plast is recommended for applicationer where there is a high demand for protection against fire.

IP degree

- 4 = IPX4
- 6 = IPX6

Plastic housing

- 1 = CARELINE (no mains-indicator and no fuse-cover if mains cut-off)

Type CB9



NOTE:

State separately if CB9 and LA31 are to be mounted together.

Terms of use

The user is responsible for determining the suitability of LINAK products for specific application. LINAK takes great care in providing accurate and up-to-date information on its products.

However, due to continuous development in order to improve its products, LINAK products are subject to frequent modifications and changes without prior notice. Therefore, LINAK cannot guarantee the correct and actual status of said information on its products.

While LINAK uses its best efforts to fulfil orders, LINAK cannot, for the same reasons as mentioned above, guarantee the availability of any particular product. Therefore, LINAK reserves the right to discontinue the sale of any product displayed on its website or listed in its catalogues or other written material drawn up by LINAK.

All sales are subject to the Standard Terms of Sale and Delivery for LINAK. For a copy hereof, please contact LINAK.