

Basket filter TYPE DELTA-OV

For Hydrous, Viscose and Super-Viscose Media

The DELTA-OV is a logic, cost-efficient and environmental-protecting way of filtration.

- Flow capacity up to 160 m³/h
- Compact and space saving filter housing
- In- and outlet on the same height
- Quick release fastener to open the filter cover easily (single-hand control)
- Quick and easy mounting and demounting of stainless steel baskets
- Low pressure drop
- Easy to handle
- Nominal diameter connection from DN20 to DN150
- Filter meshes from 50 µm up to 6350 µm
- Special baskets with meshes from 10 µm to 25 µm as pleated versions available
- classification acc. article 4, paragraph 3, SEP



OPTIONAL

Differential pressure indicators with and without electrical contact for remote transmission, magnetic columns, pleated baskets etc.

DESCRIPTION

The single basket filters of our DELTA-OV series offer a cost-efficient method to clean liquids or to regain valuable solid state bodies as well as they protect piping, controls and instruments. The compact filter is a cast design and is supplied with high quality stainless steel baskets.



SPECIFICATION

Type	OV	OV/S	OV/SS	OV/S-A300	OV/SS-A300
Body and cover material	Cast iron EN 1561 EN-JL 1030	Cast steel EN 10213-2/ 1.0625	Stainless steel casting EN 10213-4/ 1.4408	Cast steel EN 10213-2/ 1.0625	Stainless steel casting EN 10213-4/ 1.4408
Max. working pressure at 50°C	17 bar * 16 bar **	22 bar * 16 bar **	22 bar * 14,3 bar **	----- * 40 bar **	----- * 35,6 bar **
Baskets	Stainless steel 1.4571/1.4401	Stainless steel 1.4571/1.4401	Stainless steel 1.4571/1.4401	Stainless steel 1.4571/1.4401	Stainless steel 1.4571/1.4401
Drain plugs	Brass	Steel	Stainless steel	Steel	Stainless steel
Seals (standard)	FPM	FPM	FPM	FPM	FPM
Paintwork	Blue	Silver	None	Silver	None

*inner thread **flange drilled acc. EN1092-1

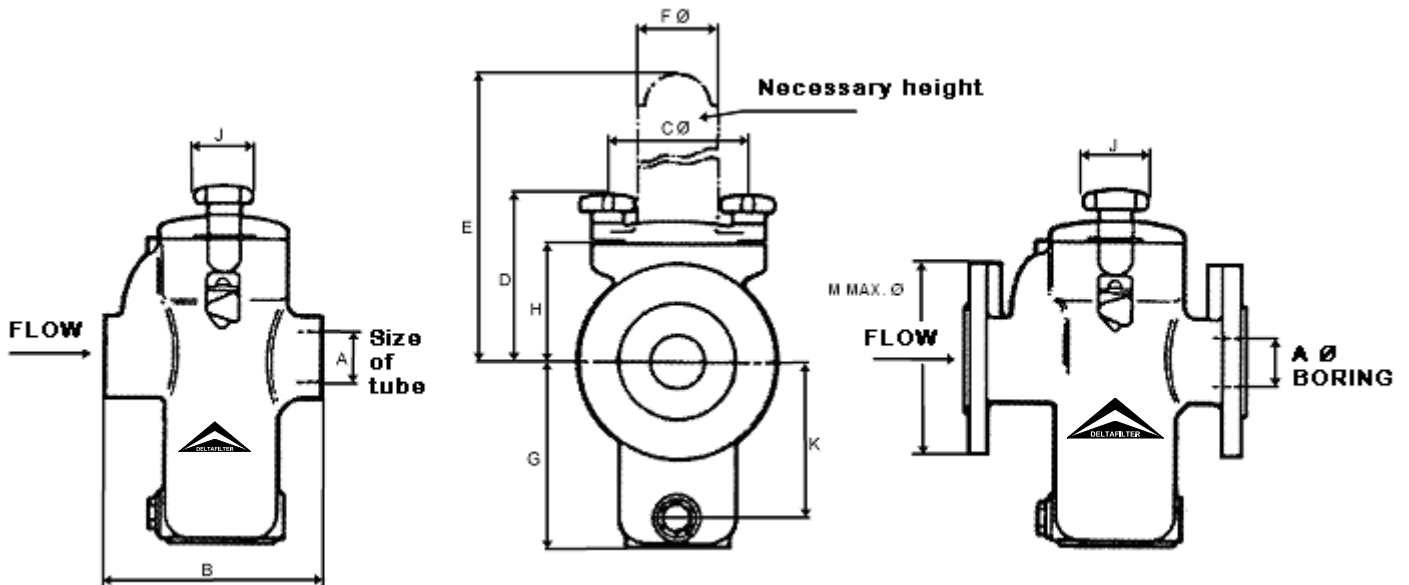
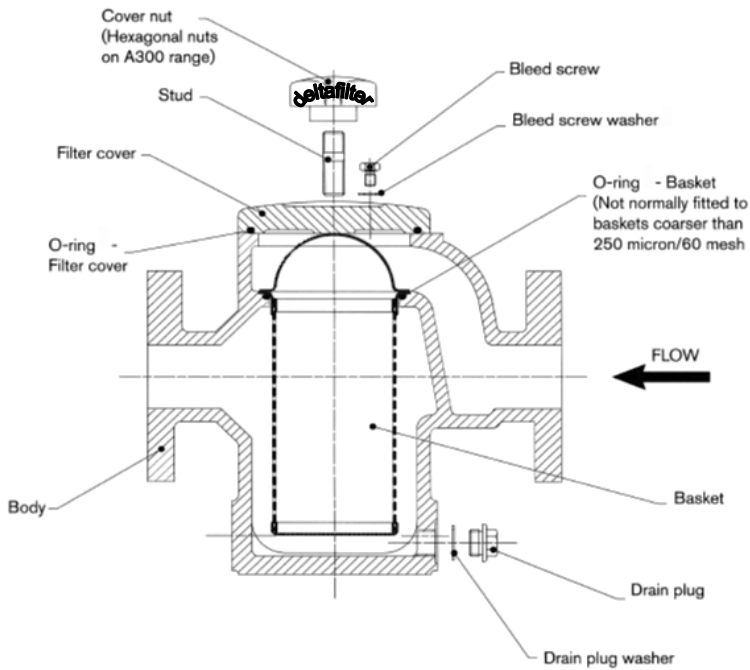
DELTAFILTER also provides other sealing materials on request.

Some branches of industry for example:

Automobile industry, beverages and food industry, chemical industry, cosmetic industry, metalworking and steel industry, mineral oil industry, paint and lacquer industry, paper industry, water supply companies etc.

Standard basket data

Perforated plate - Holes per square inch	Concinnity in micrometres	Free area in percent
11	6350	54
33	3170	39
124	1600	38
Concinnity in MESH		
20	910	53
30	560	42
40	380	40
60	250	35
80	190	34
120	130	32
200	80	36
300	50	32



Screw thread according to BSP (NPT optional available)

A	B	C	D	E	F	G	H	J	K	L	Area basket per	Weight	
20 mm	¾" BSP	159 mm	108 mm	103 mm	220 mm	73 mm	105 mm	64 mm	50 mm	86 mm	½" BSP	184 cm ²	5 kg
25 mm	1" BSP	159 mm	108 mm	103 mm	220 mm	73 mm	105 mm	64 mm	50 mm	86 mm	½" BSP	184 cm ²	5 kg
32 mm	1¼" BSP	174 mm	108 mm	129 mm	306 mm	73 mm	145 mm	90 mm	50 mm	122 mm	½" BSP	268 cm ²	7 kg
40 mm	1½" BSP	174 mm	108 mm	129 mm	306 mm	73 mm	145 mm	90 mm	50 mm	122 mm	½" BSP	268 cm ²	7 kg
50 mm	2" BSP	270 mm	156 mm	165 mm	351 mm	112 mm	156 mm	112 mm	76 mm	131 mm	½" BSP	484 cm ²	19 kg
65 mm	2½" BSP	270 mm	156 mm	165 mm	351 mm	112 mm	156 mm	112 mm	76 mm	131 mm	½" BSP	484 cm ²	19 kg

FLANGES drilled according EN1092-1 (ANSI and BS optional available)

A	B	C	D	E	F	G	H	J	K	L	M ⁽¹⁾	N ⁽¹⁾	Area basket per	Weight	
25 mm	1"	194 mm	108 mm	103 mm	220 mm	73 mm	105 mm	64 mm	50 mm	86 mm	½" BSP	124 mm	16 mm	184 cm ²	8 kg
40 mm	1½"	210 mm	108 mm	129 mm	306 mm	73 mm	145 mm	90 mm	50 mm	122 mm	½" BSP	156 mm	18 mm	268 cm ²	12 kg
50 mm	2"	310 mm	156 mm	165 mm	351 mm	112 mm	156 mm	112 mm	76 mm	131 mm	½" BSP	165 mm	20 mm	484 cm ²	24 kg
65 mm	2½"	310 mm	156 mm	165 mm	351 mm	112 mm	156 mm	112 mm	76 mm	131 mm	½" BSP	191 mm	22 mm	484 cm ²	25 kg
80 mm	3"	343 mm	175 mm	198 mm	451 mm	132 mm	210 mm	140 mm	76 mm	186 mm	½" BSP	210 mm	22/24 mm	718 cm ²	42 kg
100 mm	4"	356 mm	175 mm	234 mm	575 mm	132 mm	265 mm	175 mm	76 mm	241 mm	½" BSP	229/254 mm	24 mm	964 cm ²	45 kg
150 mm	6"	480 mm	---	296 mm	728 mm	160 mm	361 mm	218 mm	---	330 mm	½" BSP	318 mm	26 mm	1835 cm ²	107 kg

(1) Dimensions in front of the slash refer to cast iron filters, dimensions behind the slash refer to steel and stainless steel castings.