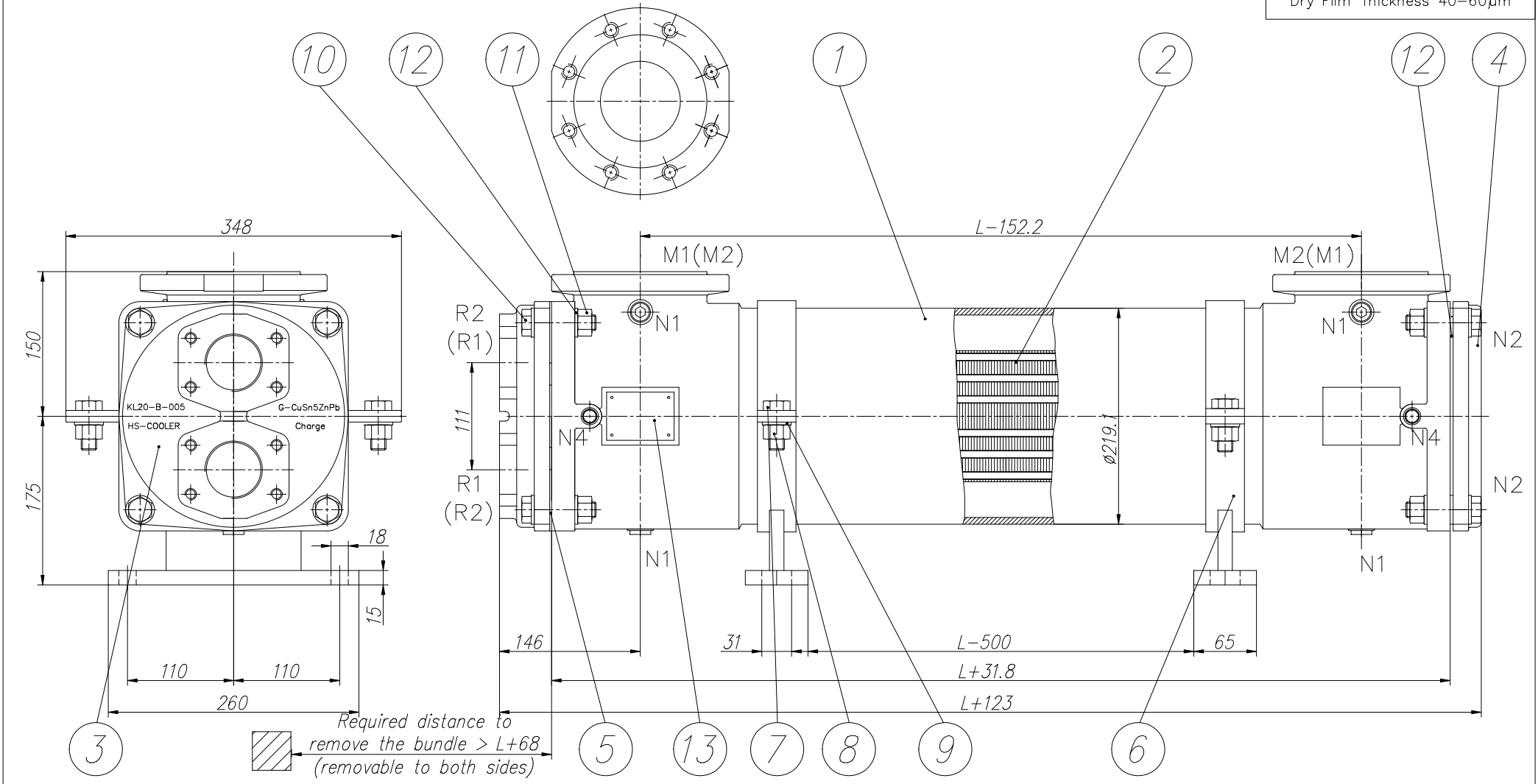


Primer:  
2-Component-Epoxy Resin  
Dry Film Thickness 40-60µm



	Shellside	Shellside	Tubeside	Tubeside
	X	Y	X	Y
Pressure range	X	Y	X	Y
Max. operating pressure PS [bar]	-1/16	-1/30	-1/10	-1/10
Test pressure, PT [bar]	22,88	42,9	14,3	14,3
Max. operating temperature, TS [°C]	-10/130	-10/100	-10/100	-10/100
Content [dm <sup>3</sup> ] (L[m],LT[mm])	Lx(24,77-6,61/LT)+1,1		7,08xL+3,8	
Joint-Flange (1=IN/2=OUT)	M1/M2=DN80 (PN40) EN 1092-1 Type B raised face		R1/R2=SAE 2 1/2" (PN16) ISO 6162-1 R1/R2=G2" DIN ISO 228-1 BSPP	
Joint-Thread (1=IN/2=OUT)	-		-	
Vent/Drain (DIN ISO 228-1 BSPP)	N1=6x G1/2", N4=4x G1/4"		N2=4x G1/4"	
Anodes	-		-	

THIS DRAWINGS AND ALL THE DATA CONTAINED HEREIN IS THE EXCLUSIVE PROPERTY OF HS-COOLER GMBH AND MAY NOT BE DISCLOSED TO OTHERS WITHOUT WRITTEN CONSENT.		SURFACE QUALITY DIN ISO 1302		GENERAL TOLERANCE ISO 2768-m ISO 13920-CF		SCALE: 1:4		(WEIGHT:)	
		DATE		NAME		Heat exchanger L500 to L3600			
		DRAW 24.10.06		Garbe					
		CHECK 24.10.06		Graulich		KS20-B##-#21S			
B	Test pressure, N5, Norm	15.06.16	AH	HS-Cooler		AutoCAD LT 2009		FILE: KS20-B##-#21S.dwg	
A	Corr. long hole-bracket	28.09.09	BS						
SYM	REV.RECORD	DATE	NAME					SHEET: 1 1 Sh.	