

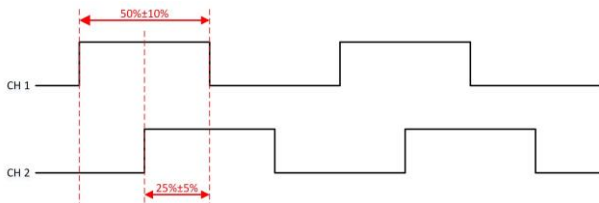
Part no.: 98.2054

- 01-08-UCCW, 2x100, 5-24VDC, NPN
- Optical shaft encoder
- ATEX, IECEx and MID certificates
- Wide range of accessories available
- Compact and rugged design

Electrical specifications

Code:	Incremental - quadrature
Resolution:	2x100ppr (pulses per revolution)
Supply voltage:	5-24VDC**
Supply current:	20mA
Output stage:	NPN Open collector
Output current:	30mA/channel max load**
Output frequency:	rpm/60xppr ≤1000Hz **
Output format:	Squarewave 50% dutycycle ±10%
Phase sense:	Ch1 - Ch2: 25% ±5%. Direction is CCW when facing the visible part of the coupling
Electrical protection:	Reverse polarity protected
Noise immunity:	Tested for ElectroMagnetic Compatibility (EMC) to EN61000-6-4 and EN61000-6-2

**= It is not recommended to combine max values for all parameters



Cable

Cable:	4x0.25mm
Cable length:	2m cable with 4 core + shield
Colour code:	VCC: Green GND: Brown Channel 1: White Channel 2: Yellow
Shield:	Shield connected to housing

Certificates

ATEX:	II 2G Ex d IIB T6 Gb TÜV 15 ATEX 131621 X
IECEX:	Ex d IIB T6 Gb IECEX TUN 14.0024X
MID part certificate:	NMI TC8655
W&M	PTB no. 5.552 - 92.13

Mechanical specifications

Material:	Die cast, seawater resistant aluminum alloy
Size:	121x73x30mm (excl. mechanical coupling)
Weight:	~340g (excl. cable)
Bearing:	Self-lubricating sintered bronze
Speed:	600rpm max for ATEX/IECEX 1000rpm for no ATEX/IECEX
Mechanical coupling:	62.0098, see separate drawing. The coupling is factory installed before shipping
Clutch:	
Mounting options:	4pcs. M4 screws from lower side
Labels:	59.2438, 59.2004
Sealing:	1 tin seal in cover
Other:	Suitable for Veeder Root kit 99.5001 (no printer). Ordered separately

Environmental specifications

Operating temperature:	-30°C to +70°C
Approved temperature:	-25°C ≤ Tamb ≤ +60°C with loose cable -30°C ≤ Tamb ≤ +70°C with fixed mounted cable

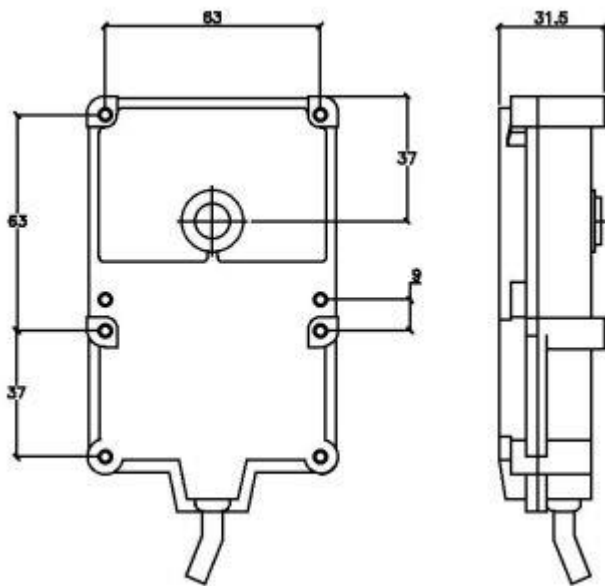
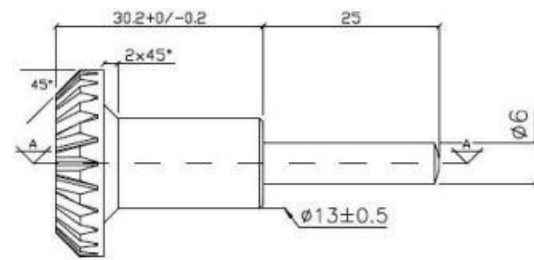
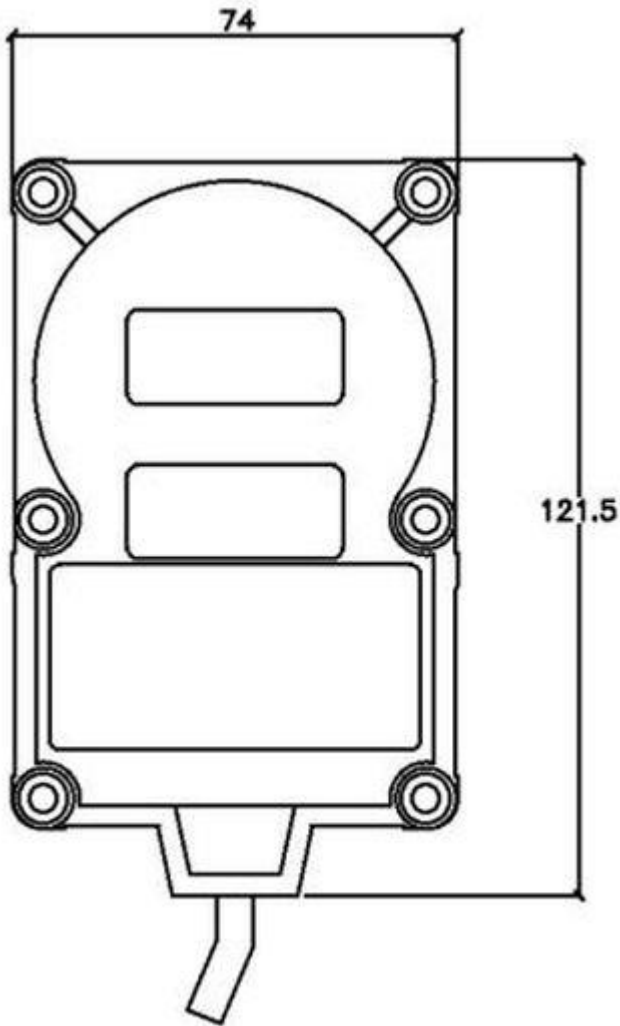
Software features

Suppression:	
Alarm:	

Other

Accessories:	
Totalizer:	
Gearbox:	
Flexible cable:	

Mechanical drawing



Revision history

Revision 2: 06.03.2014 Updated labels. Removed customer part number.