

# fischer triax connectors

1051 A004 Series



New Triax **HD Pro+**

## ■ 1051 A004 Series For improved long-distance performance!

For more than 30 years, the Fischer Connectors 1051 series Triaxial connectors has been a worldwide standard in high end camera broadcast connections.

To ensure flawless transmission, professionals are eager for increased user-friendliness of their video equipment, on top of a highly reliable signal performance. Long transmission distance is also an important parameter when events take place in large-scale venues.

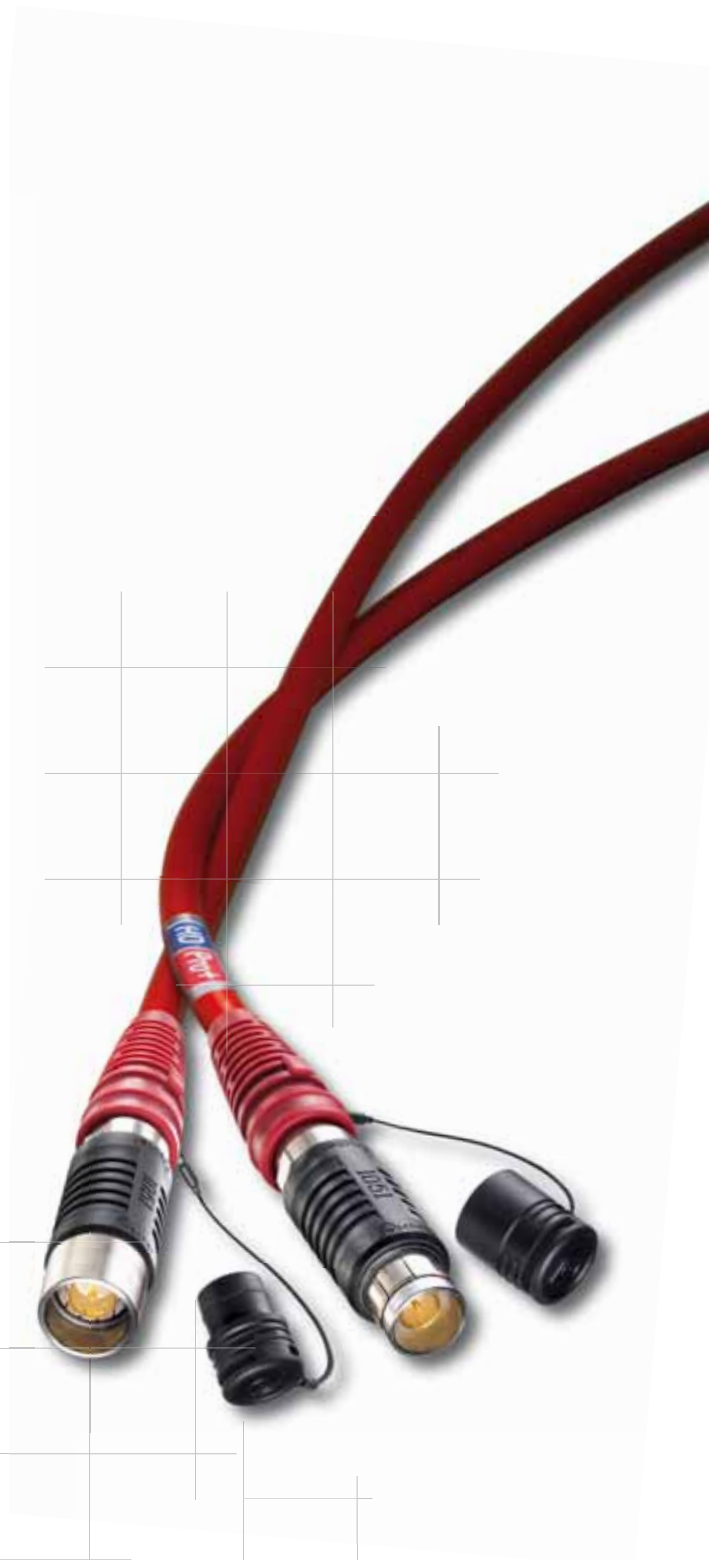
To address these needs, we are pleased to introduce the new Triax HD Pro+ Broadcast Solution which increases transmission distance by more than 30%. This integrated cable and connector solution designed for indoor and outdoor applications maximizes the performance of your Triax equipment without the additional initial investment in fiber and subsequent operating costs.



### ■ New 1051 Triax **HD Pro+**™

- Integrated Triax HD connector and cable solution
- > 30% longer transmission distance
- > 35% lighter than Triax 14
- 30% cheaper than Triax 14
- Significantly lower cost of ownership vs SMPTE 304 solution
- Optimized for 3G broadcast cameras
- HD/SD signal compliant
- Fast and easy cable assembly
- Maintenance-friendly & easy field repair

Technical Specifications .....	2
Connector Styles .....	3
Cable Plugs: SE .....	4
Panel Plugs: DS, DSQ .....	5
Panel Plugs with Cable Clamp: DSR .....	6
Cable Receptacles: KE .....	7
Panel Receptacles: DB, DBQ .....	8
Panel Receptacles with Cable Clamp: DKBE, DKE .....	9
In-line Adaptors: SE-SE, KE-KE .....	10
Panel Feedthroughs: KE-KE, DS-K .....	11
Panel Plug/Receptacle with SMB Adaptor .....	12
Cable Clamp Sets: SE, KE .....	13
Cable Clamp Sets: DSR, DKBE, DKE .....	14
Accessories .....	15
Assembly Tools .....	16
Spare Parts .....	18
Cable Assembly Services .....	19
Panels for OB and Studio Use .....	20
Optional Lacing Bars .....	21
Cable Reels .....	22
Cable Groups Reference .....	23
Customer Information .....	24



## ■ Mechanical & Environmental Data

Parameter	Typical values	Norm
<b>Mating cycles</b>	5000	
<b>Temperature range</b> - 1051 A004-3 - 1051 A004-4 - 1051 A004-9	-55°C to + 135°C -55°C to + 135°C -40°C to + 85°C	
<b>Vibration</b>	10 to 2000 Hz, 1.5 mm or 20 g, no discontinuity > 1 µs	EIA-364-28, Test cond. IV (MIL-STD-1344, Method 2005 superseded)
<b>Protection level</b> SE, KE, DKE	IP68 when mated or with fitted sealing caps	IEC 60529
<b>Corrosion, salt spray</b>	96 h with 5% salt solution at 35°C	IEC 60068-2-11, Test Ka MIL-STD-202, Method 101, cond. A

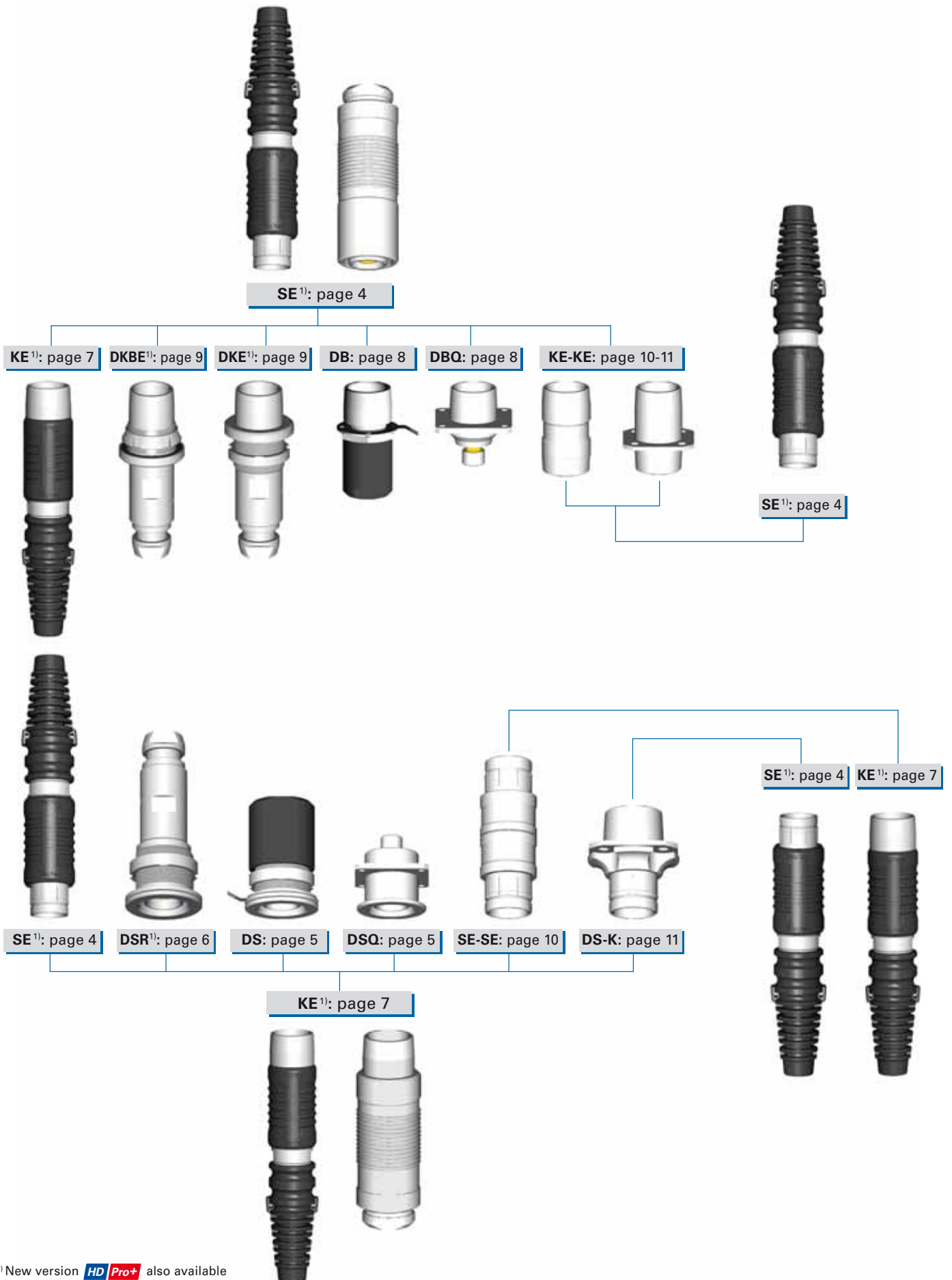
## ■ Material & Surface Treatments

Part	Materials	Finish
<b>Housings</b> - 1051 A004-3 - 1051 A004-4 - 1051 A004-9	Brass Brass Brass, Steel, PA	Chrome over Nickel Chrome over Nickel Nickel
<b>Housing accessories</b>	Brass	Nickel
<b>Inner contact</b>	Bronze	Gold over Nickel
<b>Crimp contact</b>	Brass	Gold over Nickel
<b>Outer contact</b>	Brass	Gold over Nickel
<b>Ground contact</b>	Brass	Nickel
<b>Insulators</b> - 1051 A004-3 - 1051 A004-4 - 1051 A004-9	PTFE, PCTFE, PP-H PTFE, PCTFE, PP-H POM, PP-H, PEI	- - -
<b>Washers</b>	PEEK, PET	-
<b>O-ring seals</b>	NBR, NBR Low Temp	-
<b>Cable seal and protections</b>	TPE	-

## ■ Electrical Data

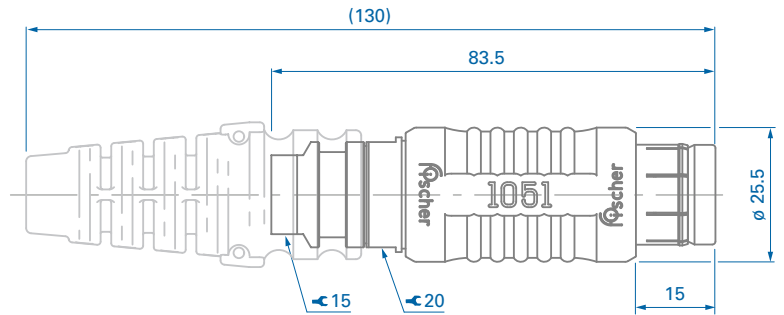
Our products are 

Parameter	Typical values	Norm
<b>Nominal impedance</b>	75 Ω	
<b>Test voltage at sea level (mated)</b> - Center to outer contact - Outer to ground contact	1.7 kVAC 1.0 kVAC	IEC 60512-4-1, Test 4a, Method c
<b>Current rating per contact</b>	14 A	IEC 60512-5-2, Test 5b
<b>Contact resistance</b> - Center contact - Outer contact - Ground contact	<3 mΩ <0.5 mΩ <5 mΩ	IEC 60512-2-1, Test 2a IEC 60512-2-2, Test 2b
<b>Insulation resistance</b>	> 10 <sup>10</sup> Ω	IEC 60512-3-1, Test 3a
<b>VSWR</b> (Voltage Standing Wave Ratio) - 0 to 250 MHz - 250 to 1300 MHz	< 1.05 < 1.2	



¹) New version **HD Pro+** also available

■ For  $\varnothing 8.4$  to  $\varnothing 11.9$  mm cables

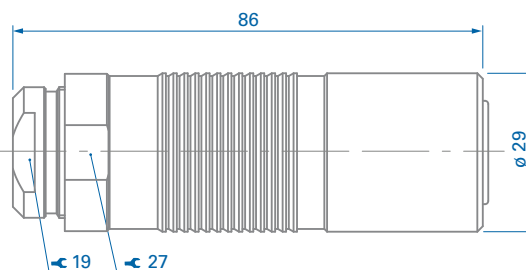


Cable plug part number	Cable group <sup>1)</sup>	Cable clamp part number <sup>2)</sup>
SE 1051 A004-9+	1	E3 SE1051.3/A004-9/1.0/4.5/8.7
	2	E3 SE1051.3/A004-9/1.0/4.5/9.4
	2	E3 SE1051.3/A004-9/1.4/4.5/9.4
	3	E3 SE1051.3/A004-9/1.4/6.6/11.3
SE 1051 A004-HD Pro+	3 <b>HD Pro+</b>	E3 SE1051.3/A004 HD Pro/1.75/7.5/11.9

<sup>1)</sup> See list of recommended cables on page 23

<sup>2)</sup> See cable clamp details on page 13

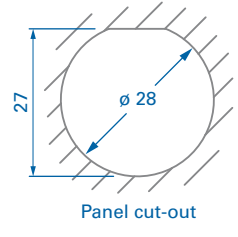
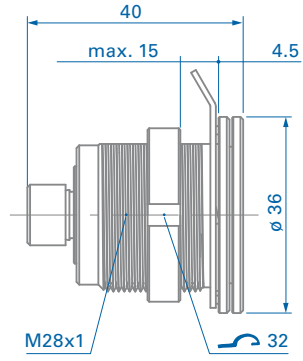
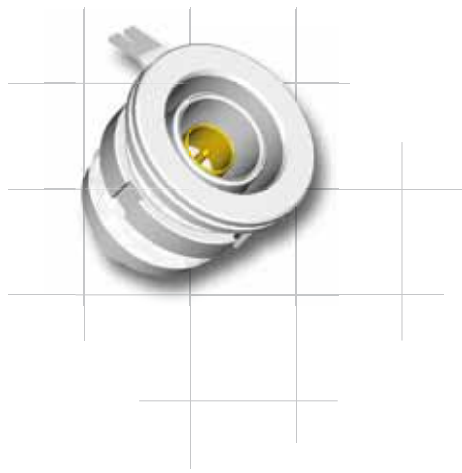
■ For  $\varnothing 12.2$  to  $\varnothing 15.2$  mm cables



Cable plug part number	Cable group <sup>1)</sup>	Cable clamp part number
SE 1051 A004-4 1.4/6.6/12.6	4	Included
SE 1051 A004-4 T1895/13.6	5	
SE 1051 A004-4 2.1Ls/10s/15.2	6	

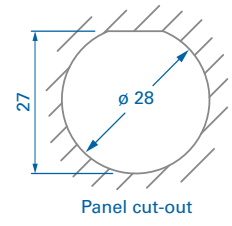
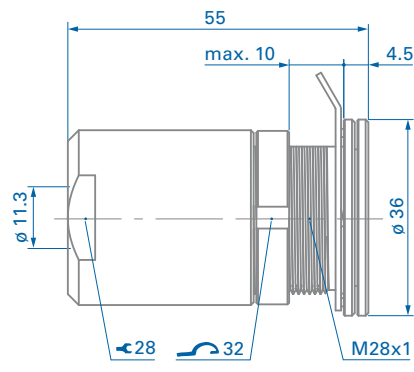
<sup>1)</sup> See list of recommended cables on page 23

■ For  $\varnothing 8.5$  mm cables



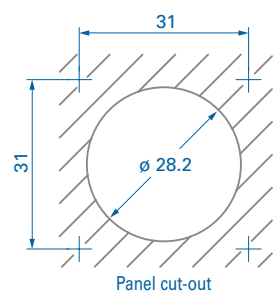
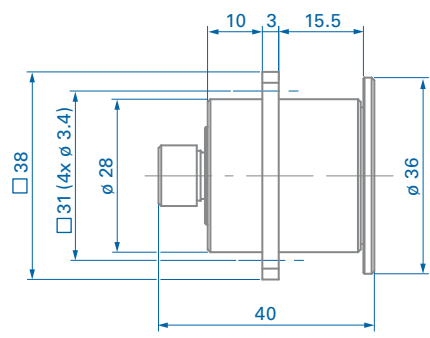
<b>Panel plug part number</b>
<b>DS 1051 A004-3 1.0/5.0</b>

■ For  $\varnothing 11.3$  mm cables, with cable guide



<b>Panel plug part number</b>
<b>DS 1051 A004-3 1.4/6.6</b>

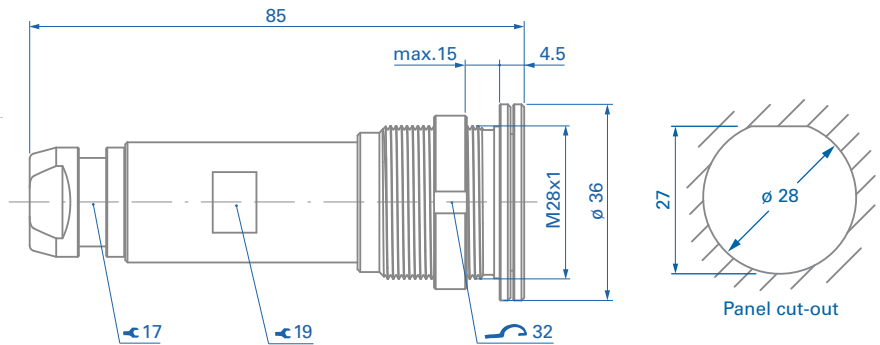
■ For  $\varnothing 8.5$  mm cables, with square flange



<b>Panel plug part number</b>
<b>DSQ 1051 A004-3 1.0/5.0</b>

All dimensions shown are in millimeters and are for reference only.

■ For  $\varnothing 8.4$  to  $\varnothing 11.9$  mm cables

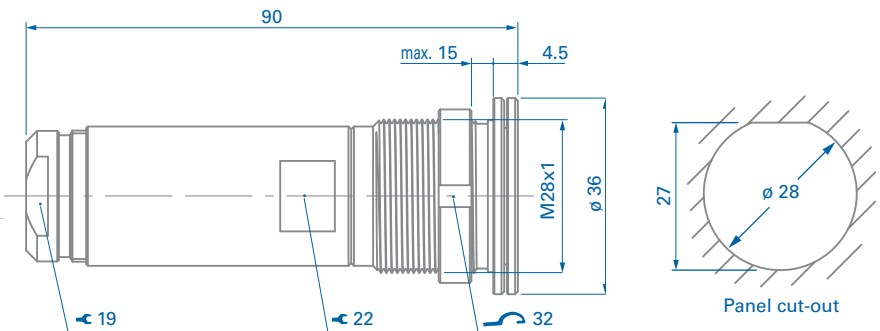


Panel plug part number	Cable group <sup>1)</sup>	Cable clamp part number <sup>2)</sup>
<b>DSR 1051 A004-9+</b>	1	E3 1051.5/A004-9/1.0/4.5/8.7
	2	E3 1051.5/A004-9/1.0/4.5/9.4
	2	E3 1051.5/A004-9/1.4/4.5/9.4
	3	E3 1051.5/A004-9/1.4/6.6/11.3
<b>DSR 1051 A004-HD Pro+</b>	3 <b>HD Pro+</b>	E3 1051.5/A004-HD Pro/1.75/7.5/11.9

<sup>1)</sup> See list of recommended cables on page 23

<sup>2)</sup> See cable clamp details on page 14

■ For  $\varnothing 12.2$  to  $\varnothing 15.2$  mm cables

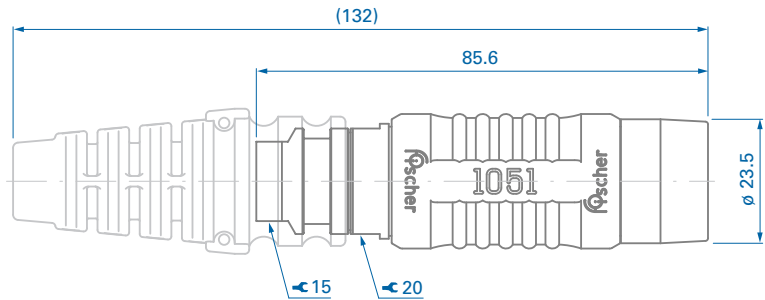


Panel plug part number	Cable group <sup>1)</sup>	Cable clamp part number
<b>DSR 1051 A004-4 1.4/6.6/12.6</b>	4	Included
<b>DSR 1051 A004-4 T1895/13.6</b>	5	
<b>DSR 1051 A004-4 2.1Ls/10s/15.2</b>	6	

<sup>1)</sup> See list of recommended cables on page 23



■ For  $\varnothing 8.4$  to  $\varnothing 11.9$  mm cables

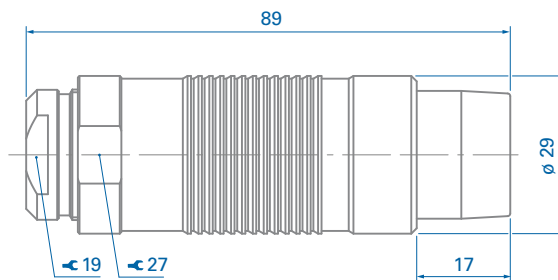
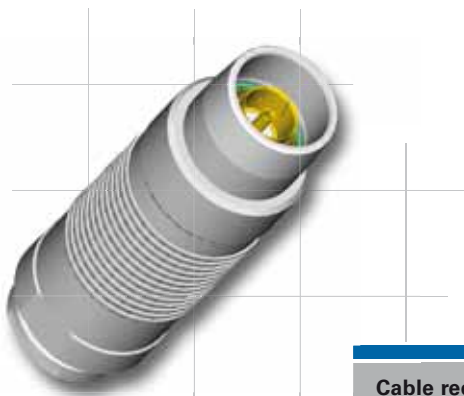


Cable receptacle part number	Cable group <sup>1)</sup>	Cable clamp part number <sup>2)</sup>
KE 1051 A004-9+	1	E3 KE1051.4/A004-9/1.0/4.5/8.7
	2	E3 KE1051.4/A004-9/1.0/4.5/9.4
	2	E3 KE1051.4/A004-9/1.4/4.5/9.4
KE 1051 A004-HD Pro+	3	E3 KE1051.4/A004-9/1.4/6.6/11.3
	3 <b>HD Pro+</b>	E3 KE1051.4/A004-HD Pro/1.75/7.5/11.9

<sup>1)</sup> See list of recommended cables on page 23

<sup>2)</sup> See cable clamp details on page 13

■ For  $\varnothing 12.2$  to  $\varnothing 15.2$  mm cables

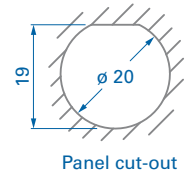
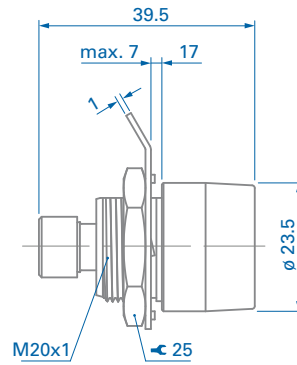
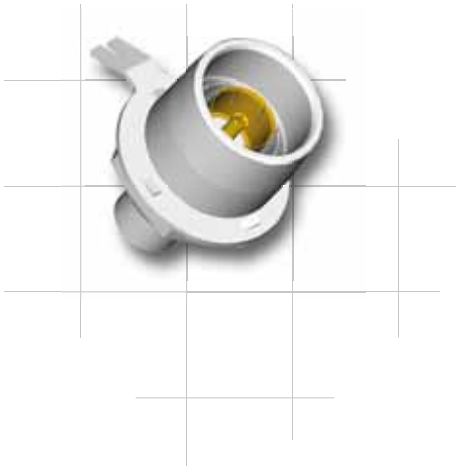


Cable receptacle part number	Cable group <sup>1)</sup>	Cable clamp part number
KE 1051 A004-4 1.4/6.6/12.6	4	Included
KE 1051 A004-4 T1895/13.6	5	
KE 1051 A004-4 2.1Ls/10s/15.2	6	

<sup>1)</sup> See list of recommended cables on page 23

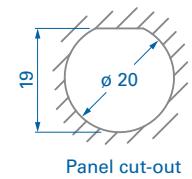
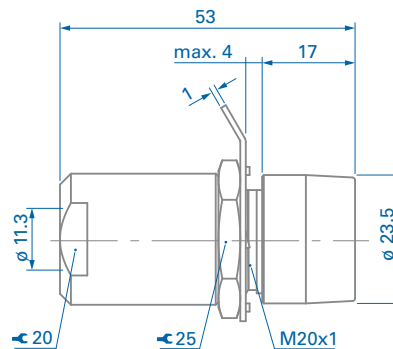
All dimensions shown are in millimeters and are for reference only.

■ For  $\varnothing 8.5$  mm cables



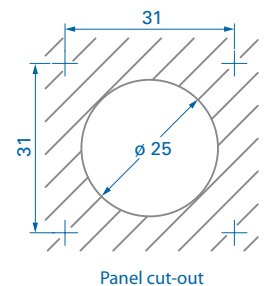
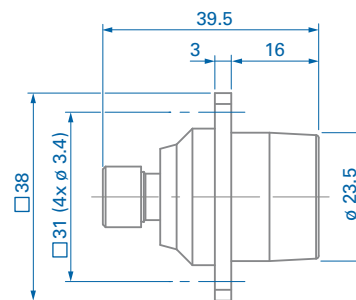
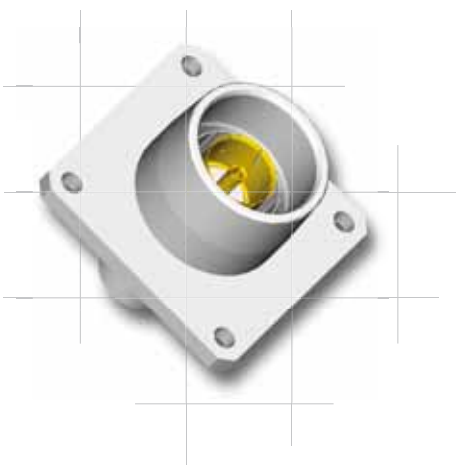
<b>Receptacle part number</b>
<b>DB 1051 A004-3 1.0/5.0</b>

■ For  $\varnothing 11.3$  mm cables, with cable guide



<b>Receptacle part number</b>
<b>DB 1051 A004-3 1.4/6.6</b>

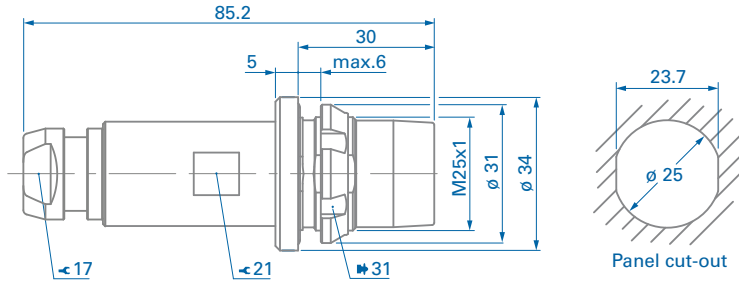
■ For  $\varnothing 8.5$  mm cables, with square flange



<b>Receptacle part number</b>
<b>DBQ 1051 A004-3 1.0/5.0</b>

# Panel Receptacles with Cable Clamp

## ■ For $\varnothing 8.4$ to $\varnothing 11.9$ mm cables

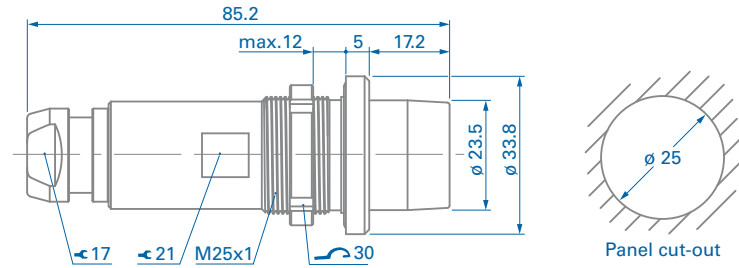


Receptacle part number	Cable group <sup>1)</sup>	Cable clamp part number <sup>2)</sup>
DKBE 1051 A004-9+	1	E3 1051.5/A004-9/1.0/4.5/8.7
	2	E3 1051.5/A004-9/1.0/4.5/9.4
	2	E3 1051.5/A004-9/1.4/4.5/9.4
	3	E3 1051.5/A004-9/1.4/6.6/11.3
DKBE 1051 A004-HD Pro+	3 <b>HD Pro+</b>	E3 1051.5/A004-HD Pro/1.75/7.5/11.9

<sup>1)</sup> See list of recommended cables on page 23

<sup>2)</sup> See cable clamp details on page 14

## ■ For $\varnothing 8.4$ to $\varnothing 11.9$ mm cables

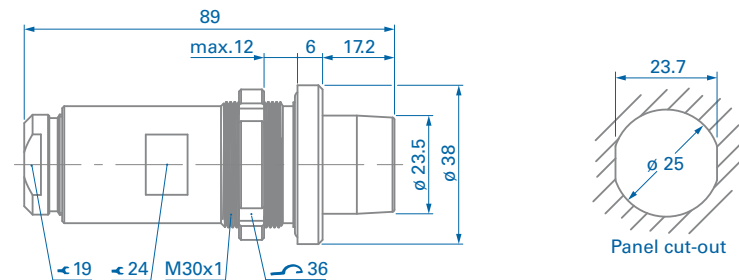


Receptacle part number	Cable group <sup>1)</sup>	Cable clamp part number <sup>2)</sup>
DKE 1051 A004-9+	1	E3 1051.5/A004-9/1.0/4.5/8.7
	2	E3 1051.5/A004-9/1.0/4.5/9.4
	2	E3 1051.5/A004-9/1.4/4.5/9.4
	3	E3 1051.5/A004-9/1.4/6.6/11.3
DKE 1051 A004-HD Pro+	3 <b>HD Pro+</b>	E3 1051.5/A004-HD Pro/1.75/7.5/11.9

<sup>1)</sup> See list of recommended cables on page 23

<sup>2)</sup> See cable clamp details on page 14

## ■ For $\varnothing 12.2$ to $\varnothing 15.2$ mm cables

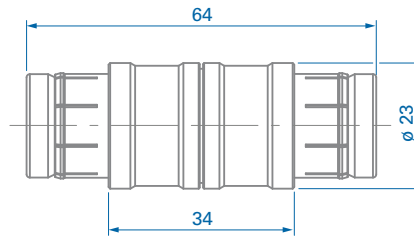
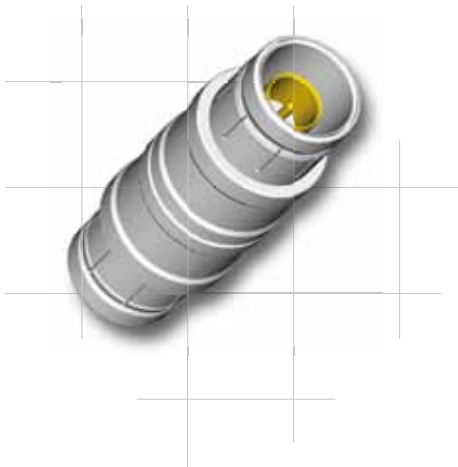


Receptacle part number	Cable group <sup>1)</sup>	Cable clamp part number
DKE 1051 A004-4 1.4/6.6/12.6	4	Included
DKE 1051 A004-4 T1895/13.6	5	
DKE 1051 A004-4 2.1Ls/10s/15.2	6	

<sup>1)</sup> See list of recommended cables on page 23

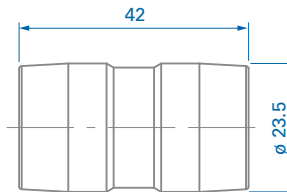
All dimensions shown are in millimeters and are for reference only.

- For connection of panel or cable receptacles



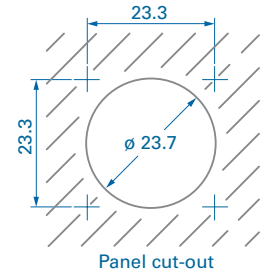
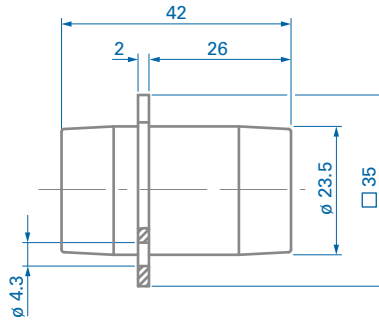
Adaptor part number	Suitable for
SE-SE 1051 A004	KE, DB and DKE connections

- For connection of cable or panel plugs



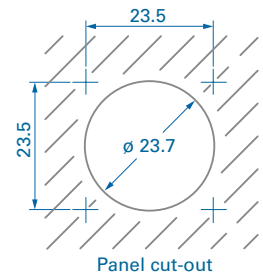
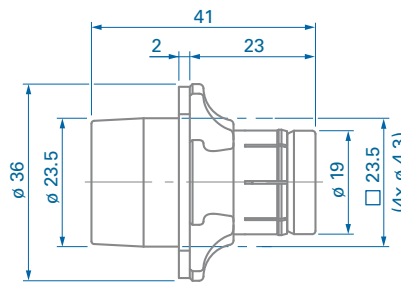
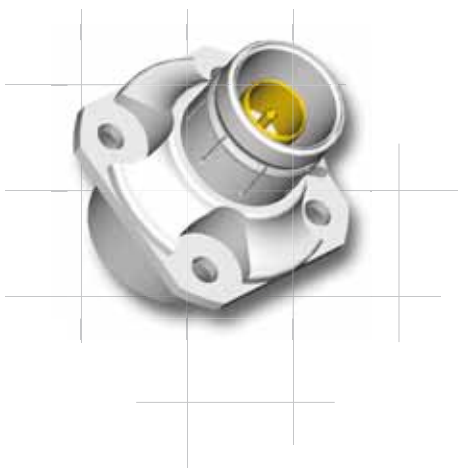
Adaptor part number	Suitable for
KE-KE 1051 A004	SE, DS and DSR connections

■ For connection of cable plugs



Feedthrough part number	Suitable for
KE-KE 1051 A004-8	SE connections

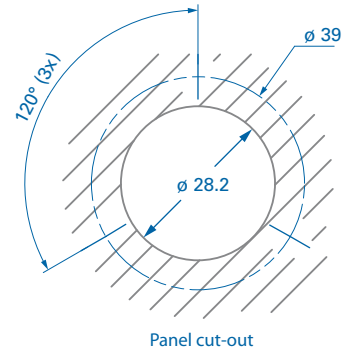
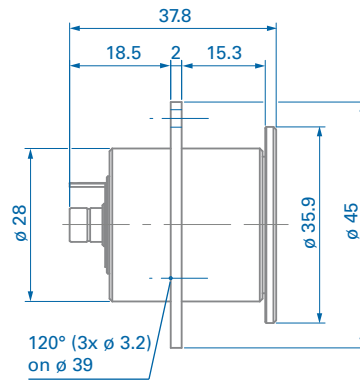
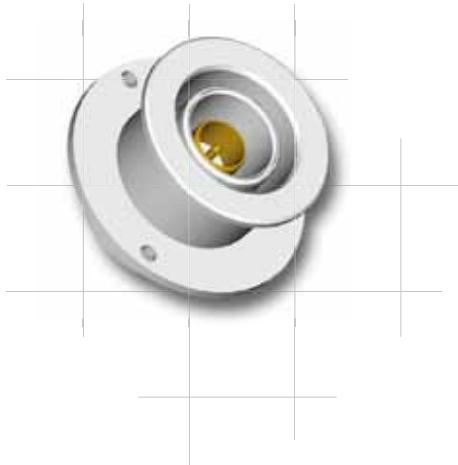
■ For connection of cable plugs and cable receptacles



Feedthrough part number	Suitable for
DS-K 1051 A004	SE with KE connections

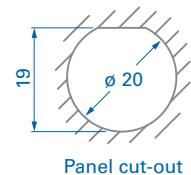
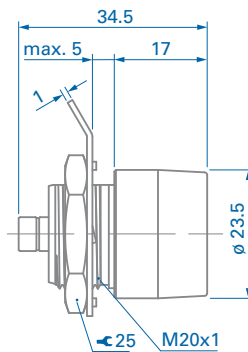
All dimensions shown are in millimeters and are for reference only.

■ Panel plug with 75Ω SMB male plug



<b>Panel plug part number</b>
<b>DS 1051 A004-SMB75/M</b>

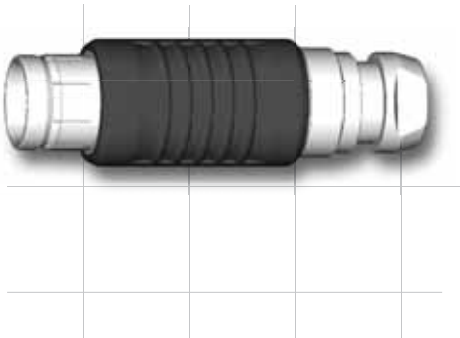
■ Panel receptacle with 75Ω SMB male plug



<b>Panel receptacle part number</b>
<b>DB 1051 A004-SMB75/M</b>

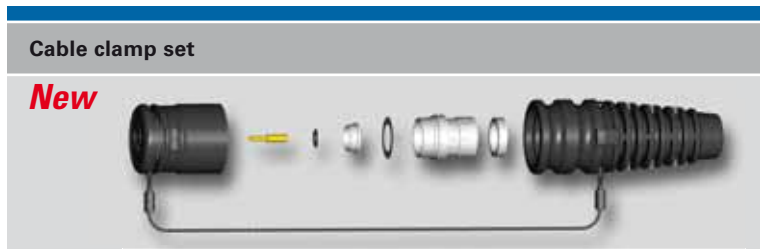
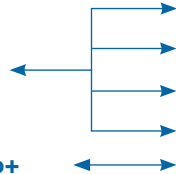
All dimensions shown are in millimeters and are for reference only.

## ■ For SE models



SE 1051 A004-9+

**New** SE 1051 A004-HD Pro+

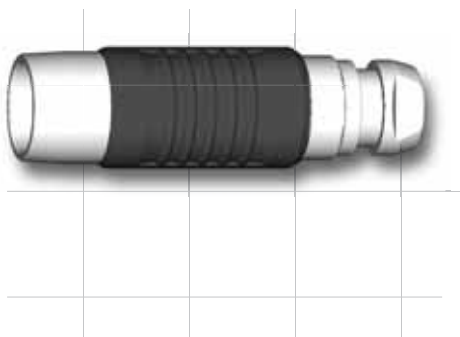


Plug cap is included with the cable clamp set

Cable diameters (mm)	Cable clamp part number <sup>1)</sup>
1.0 / 4.5 / 8.7	E3 SE1051.3/A004-9/1.0/4.5/8.7
1.0 / 4.5 / 9.4	E3 SE1051.3/A004-9/1.0/4.5/9.4
1.4 / 4.5 / 9.4	E3 SE1051.3/A004-9/1.4/4.5/9.4
1.4 / 6.6 / 11.3	E3 SE1051.3/A004-9/1.4/6.6/11.3
<b>HD Pro+</b> 1.75 / 7.5 / 11.9	E3 SE1051.3/A004-HD Pro/1.75/7.5/11.9

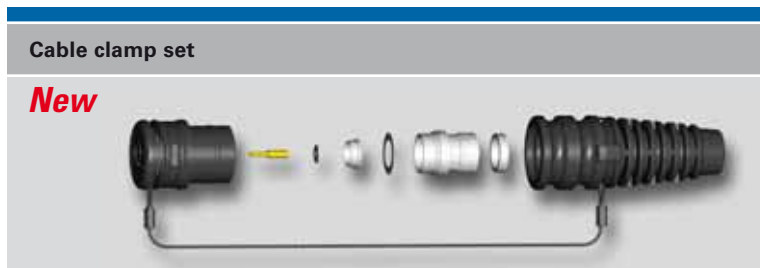
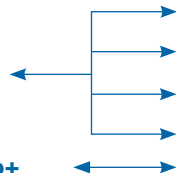
<sup>1)</sup> See list of recommended cables on page 23

## ■ For KE models



KE 1051 A004-9+

**New** KE 1051 A004-HD Pro+

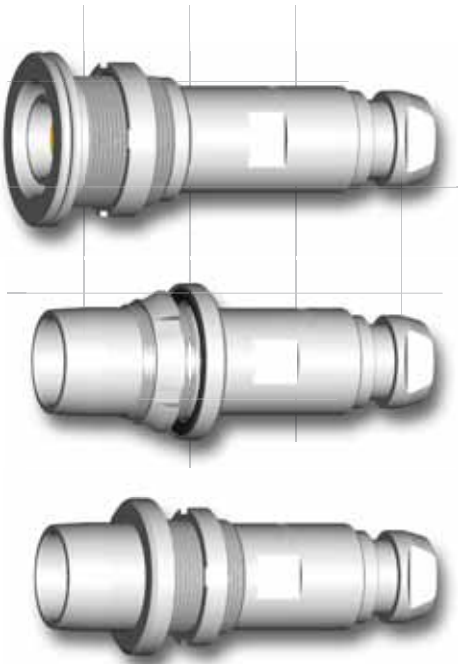


Cable receptacle cap is included with the cable clamp set

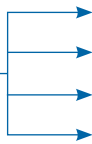
Cable diameters (mm)	Cable clamp part number <sup>1)</sup>
1.0 / 4.5 / 8.7	E3 KE1051.4/A004-9/1.0/4.5/8.7
1.0 / 4.5 / 9.4	E3 KE1051.4/A004-9/1.0/4.5/9.4
1.4 / 4.5 / 9.4	E3 KE1051.4/A004-9/1.4/4.5/9.4
1.4 / 6.6 / 11.3	E3 KE1051.4/A004-9/1.4/6.6/11.3
<b>HD Pro+</b> 1.75 / 7.5 / 11.9	E3 KE1051.4/A004-HD Pro/1.75/7.5/11.9

<sup>1)</sup> See list of recommended cables on page 23

■ For DSR, DKBE and DKE models



DSR 1051 A004-9+  
DKBE 1051 A004-9+  
DKE 1051 A004-9+



Cable diameters (mm)	Cable clamp part number <sup>1)</sup>
1.0 / 4.5 / 8.7	E3 1051.5/A004-9/1.0/4.5/8.7
1.0 / 4.5 / 9.4	E3 1051.5/A004-9/1.0/4.5/9.4
1.4 / 4.5 / 9.4	E3 1051.5/A004-9/1.4/4.5/9.4
1.4 / 6.6 / 11.3	E3 1051.5/A004-9/1.4/6.6/11.3

**New** DSR 1051 A004-HD Pro+  
DKBE 1051 A004-HD Pro+  
DKE 1051 A004-HD Pro+






<b>HD Pro+</b> 1.75 / 7.5 / 11.9	E3 1051.5/A004-HD Pro/1.75/7.5/11.9
----------------------------------	-------------------------------------

<sup>1)</sup> See list of recommended cables on page 23



All dimensions shown are in millimeters and are for reference only.



## ■ Accessories for A004-9 and HD Pro+ models

	Description	Part number	Suitable for
	<b>Protective sleeve</b>	1051.1569	All SE, KE
	<b>Plug cap</b>	1051.1576	All SE, DS, DSR
	<b>Receptacle cap</b>	1051.1577	All KE, DKE, DKBE, DB

## ■ Combined sleeve and cap for A004-4 models

	Description	Part number	Suitable for
	<b>Protective sleeve</b>	1051.875	SE 1051 A004-4 1.4/6.6/12.6 SE 1051 A004-4 T1895/13.6
	<b>Protective sleeve</b>	1051.874	SE 1051 A004-4 2.1Ls/10s/15.2
	<b>Protective sleeve</b>	1051.876	KE 1051 A004-4 1.4/6.6/12.6 KE 1051 A004-4 T1895/13.6
	<b>Protective sleeve</b>	1051.877	KE 1051 A004-4 2.1Ls/10s/15.2



■ *Spanner for inner threaded ring*



Part number	Suitable for
TQ00.002	All body styles -4


■ *Hook spanner for slotted nuts* 



Part number	Suitable for
TX00.105	 30-32 DS + DSR + DKE -9 + DKE HD-Pro+
TX00.106	 34-36 DKE -4

■ *Nutdriver* 



Part number	Suitable for
TQ00.005	 31 DKBE

## ■ Contact crimp tool



Part number	Description
TX00.242	Buchanan 615708

## ■ Contact crimp tool positioner



Part number	Suitable for
TX00.315	All connectors corresponding to cable groups 1 to 4 <sup>1)</sup>
TX00.317	All connectors corresponding to cable groups 5 to 6 <sup>1)</sup>

<sup>1)</sup> See list of recommended cables on page 23

## ■ Shield crimp tool without dies



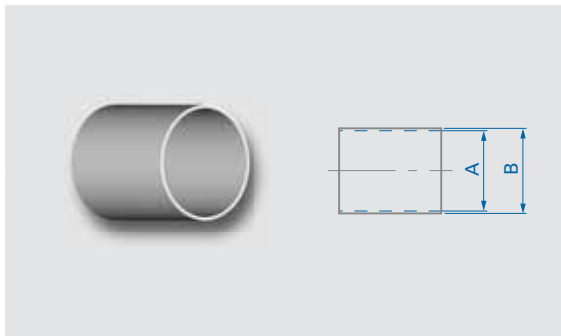
Part number	Description
TX00.245	Daniels HX4 (M 22520/5-01)

## ■ Shield crimp tool dies



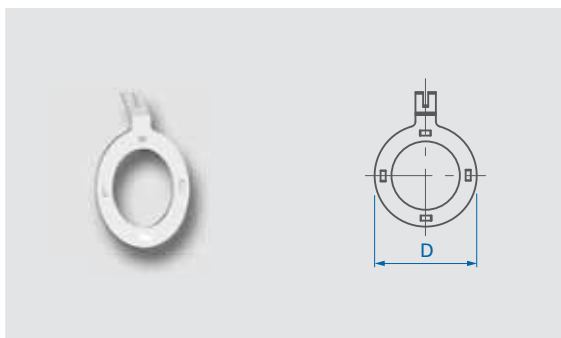
Part number	Hexagon width	Description
TX00.270	10.9	Daniels Y178 (M 22520/5-61)
TX00.271	13.51	Daniels Y151 (M 22520/5-27)

## ■ Crimp ferrules



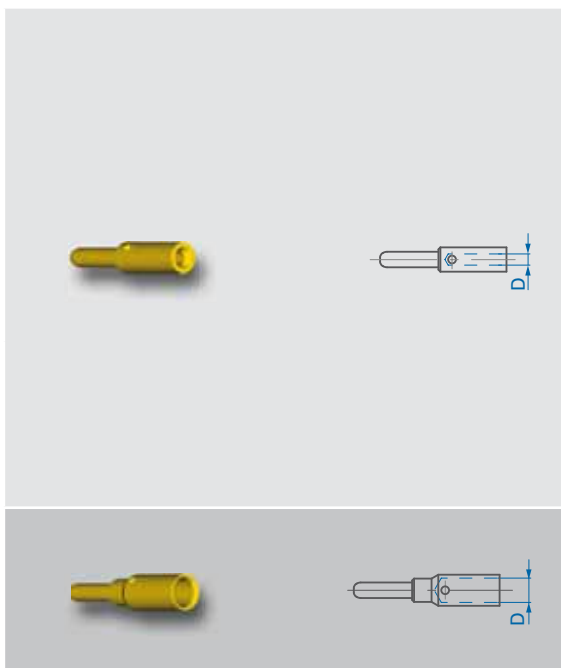
Part number	A	B	Suitable for
<b>1051.910</b>	11.8	12.5	SE 1051 A004-4 T1895/13.6 KE 1051 A004-4 T1895/13.6 DKE 1051 A004-4 T1895/13.6 DSR 1051 A004-4 T1895/13.6 DSR 1051 A004-4 2.1Ls/10s/15.2
<b>1051.922</b>	14.3	15.5	SE 1051 A004-4 2.1Ls/10s/15.2 KE 1051 A004-4 2.1Ls/10s/15.2 DKE 1051 A004-4 2.1Ls/10s/15.2

## ■ Solder lug with claws



Part number	D	Suitable for
<b>1051.311</b>	30	DB
<b>1051.615</b>	34	DS

## ■ Crimp and/or solder contacts



Part number	D	Suitable for
<b>1051.900</b>	1.0	A004-x 1.0/xx/xx
<b>1051.905</b>	1.5	A004-x 1.4/xx/xx
<b>1051.919</b>	1.8	A004-x <b>HD Pro+</b>
<b>1051.906</b>	2.5	A004-4 T1895 A004-4 2.1Ls

All dimensions shown are in millimeters and are for reference only.

## ■ Complete and integrated cable solutions

Based on years of experience in Outside Broadcasting and Studios installations, Fischer Connectors has built a tried and tested value-added cable assembly service. From simple to complex, small to high volume production, we provide turnkey solutions to suit the specific needs of your HD or SD application.



Utilizing the latest machinery and test equipment, our facilities are geared to producing cable assemblies. We operate strict process controls to ensure optimum reliability even in the most arduous environments. Cables are delivered with your choice of connectors. Cable lengths are offered according to your request in either 8mm or 11mm diameter cables and HD Pro+ cable.

Other cable types and variations are available on request.

## ■ Services

- Complete and integrated connector and cable system solutions
- Testing process ensures optimum reliability
- Flexible yet strong cables, ideal for harsh environments
- Protective sleeves and sealing caps fitted as standard
- Fast delivery of standard 8 and 11mm diameter cables and HD Pro+ cable
- Other cable solutions on request



[www.fischerconnectors.com](http://www.fischerconnectors.com)

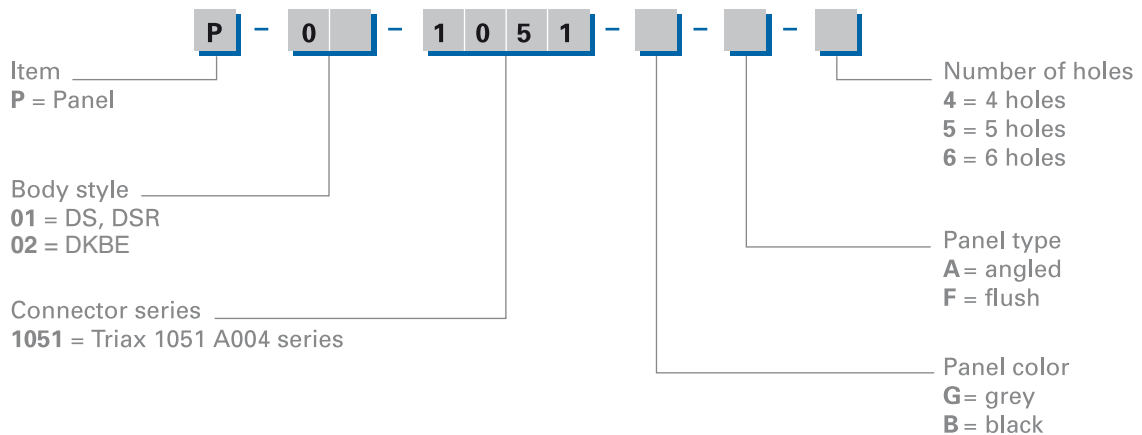


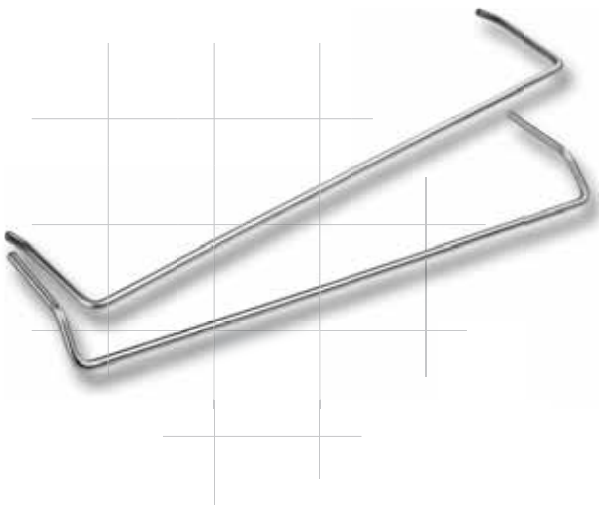
Designed for use with our DS and DSR 1051 series connectors, these high quality 2U flush or angled panels can be used for Outside Broadcast or Studio wall boxes. They are manufactured from robust extruded aluminium and finished with chrome plating plus powder coating.

Available color finishes are standard grey or optional black. All panels are supplied with a clear removable designation strip to allow a printed text height up to 7.5mm. Hole cut-out configurations have been provided for the most efficient use of available space. Optional lacing bars can be supplied as required. Panels are not supplied with connectors fitted.

Other panel types are available, please enquire for more details.

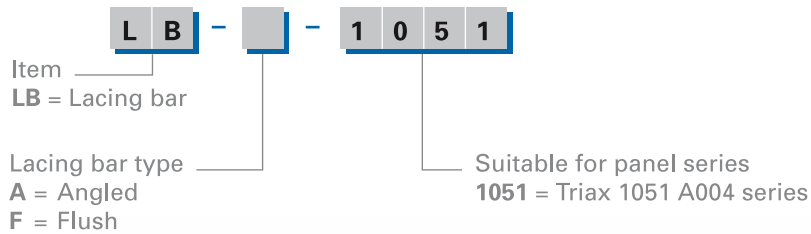
## ■ Part numbers

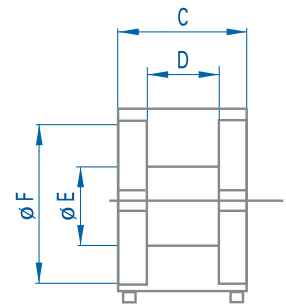
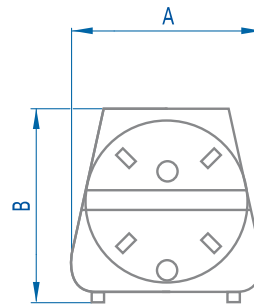




Although not usually required, the lacing bar can offer additional cable support at the rear of the panel if space permits. Lacing bars are supplied with all necessary fittings for quick fitting to the panel. Lacing bar choices are specific to either Angled or Flush panel types.

## ■ Part numbers





Suitable for 8mm and 11mm triaxial and HD Pro+ cables, these robust reels are manufactured from steel and finished with a black nylon dip. For storage and space saving, the manual rewind handle can be reversed and the reels can be stacked up to 3 units high. A retained drum locking pin prevents drum rotation during transit. Thermoplastic feet provide grip and protection to flooring. The cable reels are RoHS compliant.

## ■ Part numbers

Part number	Max. reel capacity <sup>1)</sup> [m]		Weight <sup>2)</sup> [kg]	Dimensions [mm]					
	8.5 mm triax	11.5 mm triax		A	B	C	D	E	F
CR-01	200	125	9.75	520	540	350	150	230	450
CR-02	425	275	11.25	520	540	500	300	230	450
CR-03	630	415	13.00	520	540	650	450	230	450

<sup>1)</sup> Cable capacity shown is tight and carefully wound, de-rate by 30% for loose packed or cross wound.

<sup>2)</sup> Weights shown are without cable fitted.



## ■ Recommended triaxial camera cables 75Ω

	Cable			Cable diameters <sup>1)</sup> [mm]			Suitable connectors <sup>2)</sup>	Suitable clamp set
	Brand	Type	Reference	Core	Dielectric	Ext.		
1	Bedeia	Standard 8 (PUR)	–	1.0	4.5	8.5	All body styles 1051 A004-9+	E3 1051.1/A004-9/1.0/4.5/8.7
	Bedeia	Superflex 8 (TPE flex)	–	1.0	4.5	8.6		
	Belden	Triax 8	7783A	1.0	4.5	8.4		
	Draka	Triax 8 (PVC)	CT2765700	1.0	4.5	8.4		
	Draka	Triflex 8 (PUR)	CT2767900	1.0	4.5	8.4	DS+DB+DSQ+DBQ 1051 A004-3 1.0/5.0	N/A
	Intercond	8.5mm (PVC or PUR)	RX 75/55	1.0	4.7	8.5		
	Fujikura	4.8/1.0 EFTXF	–	1.0	4.8	8.6		
	Hirakawa	TRIAX 4.8/1.0-TUFRET	3118-250	1.0	4.8	8.8		
2	Belden	–	9267, 1857A	0.8	3.7	9.2	All body styles 1051 A004-9+	E3 1051.1/A004-9/1.0/4.5/9.4 E3 1051.1/A004-9/1.4/4.5/9.4
	Draka	Triax 8 (FRNC) Reinforced	CT2853203	1.0	4.5	9.0	DS+DB+DSQ+DBQ 1051 A004-3 1.0/5.0	N/A
3	Belden	Triax 11	7784AS	1.4	6.5	11.2	All body styles 1051 A004-9+	E3 1051.1/A004-9/1.4/6.6/11.3
	Intercond	11.0mm (PVC or PUR)	RX 75/56	1.4	6.5	11.0		
	Bedeia	Standard 11 (PUR)	–	1.4	6.5	11.0		
	Bedeia	Superflex 11 (TPE flex)	–	1.4	6.0	11.3	DS+DB 1051 A004-3 1.4/6.6	N/A
	Draka	Triax 11 (PVC)	CT2766400	1.4	6.5	11.0		
	Draka	Triflex 11 (PUR)	CT2768100	1.4	6.5	11.0		
	Draka		CT 2768700	1.75	7.5	11.9		
4	Draka	Triax 11/1 (PU) Reinforced	CT2767101	1.4	6.5	12.2	SE+KE+DSR+DKE 1051 A004-4 1.4/6.6/12.6	Included
							DS+DB 1051 A004-3 1.4/6.6	N/A
5	Belden	–	9192, 9232	1.6	8.0	13.2	SE+KE+DSR+DKE 1051 A004-4T1895/13.6	Included
6	Belden	Triax 14	7785A	2.2	9.7	14.5	SE+KE+DSR+DKE 1051 A004-4 2.1Ls/10s/15.2	Included
	Intercond	14.0mm (PVC or PUR)	RX 75/57	2.2	9.7	14.0		
	Draka	Triax 14 (PVC)	CT2766700	2.2	9.7	14.4		
	Draka	Triax 14 (PUR)	CT2767000	2.2	9.7	14.5		
	Bedeia	Standard 14 (PUR)	–	2.2	9.7	14.4		
	Bedeia	Superflex 14 (TPE flex)	–	2.2	9.7	14.5		
	Fujikura	9.6/2.22 EFTXF	–	2.2	9.6	14.5		
	Hirakawa	TRIAX-1/2.22-TUFRET	3118-290	2.2	9.6	14.5		

<sup>1)</sup> The cable dimensions listed are reference only, sizes may fluctuate during production.

<sup>2)</sup> Connector types for other cables not listed are by request.

Please note that the above list is a guideline only, not all cables available in the marketplace are listed.

Assembly instructions and technical specifications are available for download from our online technical library at [www.fischerconnectors.com/technical](http://www.fischerconnectors.com/technical)

This is a revised edition of Fischer Connectors 1051 series Triaxial connectors and related products.

Every effort has been taken to ensure that all details in this catalogue are correct. Fischer Connectors SA reserve the right to make any modification or product update without prior notice and without obligation to replace or manufacture obsolete parts.

All mechanical and electrical test data given have been measured under normal environmental conditions. This data should not be interpreted for other applications without careful examination of any relevant standards and careful consideration of local operating environments. All connectors shown in this catalogue are intended for applications using both high frequencies and high voltage. Users should ensure that the correct safety procedures are observed during installation and operation.

Certified ISO 9001, ISO 13485 and ISO14001, Fischer Connectors embraces Total Quality through continuous improvement in all processes and procedures. Our company continues to invest in our environment, all of our products are RoHS compliant and we are proud to be incorporated into the global Sony Green Partnership since 2003.

**ISO 9001**

**ISO 13485**

**ISO 14001**



Please do not hesitate to contact our worldwide customer service and support network for specialist advice or details of any of our other product ranges. Log on to our website to find the contact details of your local office.

## ■ Broadcast



Using state of the art technology, Fischer Connectors designs, manufactures and distributes high-performance connectors.

Known for their reliability, precision, and resistance to extreme environmental conditions, our products are used in fields requiring faultless quality, such as broadcast, medical equipment, instrumentation, measuring and testing devices, telecommunication and military applications.

Selecting the right connector is an important and challenging process. Our specialists are on hand to help you equip your application with the most suitable connector solution.

Contact us for more information.

## ■ Medical



## ■ Defense & Security



## ■ Instrumentation



## ■ Harsh Environments



# fischer Sales Network

## Headquarters

**FISCHER CONNECTORS SA**  
Ch. du Glapin 20  
1162 Saint-Prex  
Switzerland  
Phone +41 21 800 95 95  
mail@fischerconnectors.ch

## Subsidiaries

### United-States and Canada

**FISCHER CONNECTORS Inc.**  
Atlanta, GA  
Phone +1 678 393 5400  
Toll free: 800 551 0121  
www.fischerconnectors.com  
mail@fischerconnectors.com

### France

**FISCHER CONNECTORS Sarl**  
Paris  
Phone +33 1 55 78 25 78  
Appel gratuit: 0 800 590 444  
www.fischerconnectors.fr  
mail@fischerconnectors.fr

### Germany and Eastern Europe

**FISCHER CONNECTORS GmbH**  
Zorneding  
Phone +49 8106 37722 0  
Gebührenfrei: 0 800 233 3233  
www.fischerconnectors.de  
mail@fischerconnectors.de

### Italy

**FISCHER CONNECTORS Srl**  
Monza  
Phone +39 039 734 072  
www.fischerconnectors.it  
mail@fischerconnectors.it

### Sweden and Finland

**FISCHER CONNECTORS AB**  
Billdal  
Phone +46 31 910 420  
www.fischerconnectors.se  
mail@fischerconnectors.se

### United Kingdom, Ireland and India

**FISCHER CONNECTORS Ltd.**  
Havant/Hampshire  
Phone +44 23 9245 9600  
Toll free: 0 800 432 0301  
www.fischerconnectors.co.uk  
sales@fischerconnectors.co.uk

### Asia

**FISCHER CONNECTORS ASIA Ltd.**  
Hong Kong  
Phone +852 2620 6118  
www.fischerconnectors.hk  
mail@fischerconnectors.hk



Visit  
[www.fischerconnectors.com/contacts](http://www.fischerconnectors.com/contacts)  
to find details on Fischer Connectors  
authorized distributors



[www.fischerconnectors.com](http://www.fischerconnectors.com)

© Fischer Connectors SA / All rights reserved – 12.2011 / Changes without prior notice

