



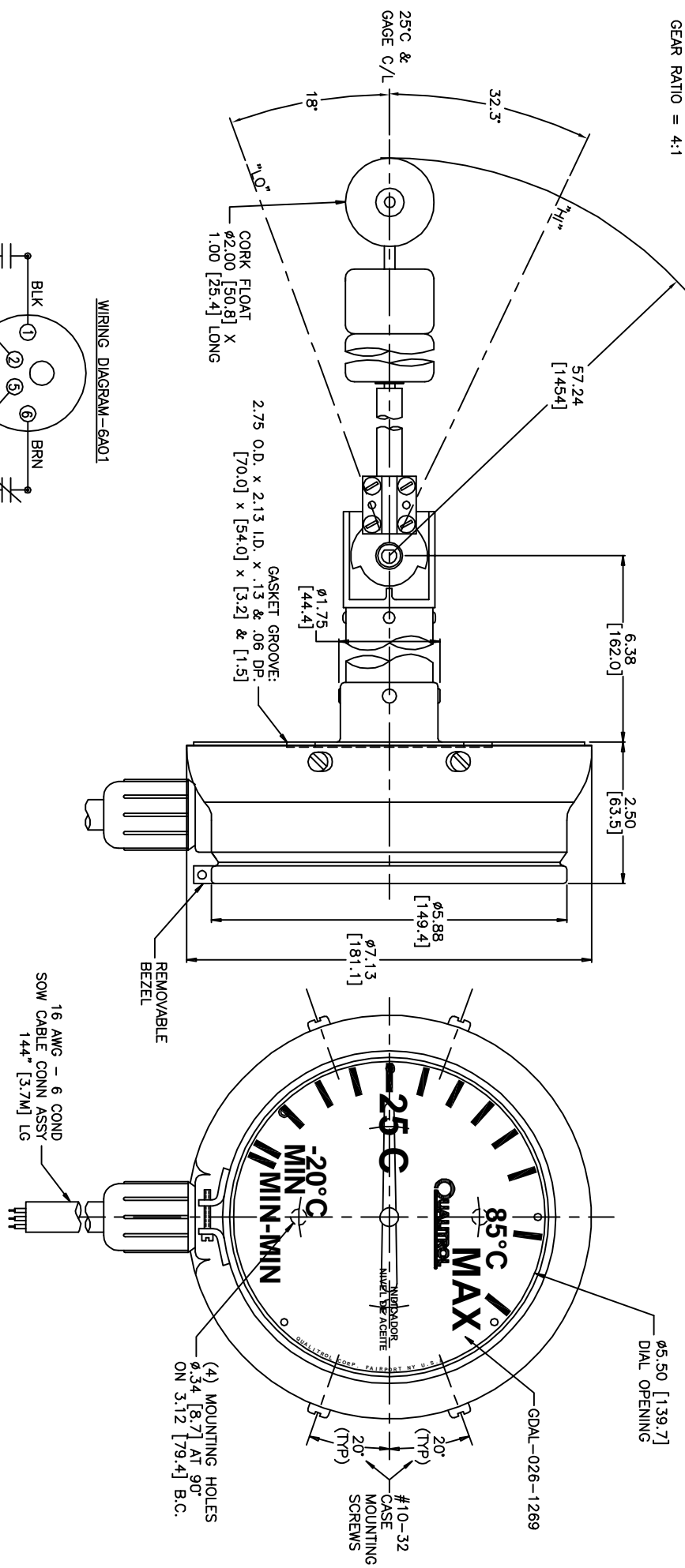
NOTICE
THIS DRAWING IS THE PROPERTY OF QUALITROL COMPANY, LLC AND IS LOANED ONLY. ON THE RETURN OF THIS DRAWING TO QUALITROL COMPANY, LLC IT IS TO BE REPRODUCED, COPIED OR OTHERWISE DISPOSED OF, AND IS NOT TO BE USED IN WHOLE OR IN PART FOR FURNISHING INFORMATION RELATIVE TO THE MAKING OF DRAWINGS, PARTS OR SERVICES OR FOR ANY OTHER PURPOSES WITHOUT THE WRITTEN CONSENT FROM QUALITROL COMPANY, LLC.

MODEL NO. LLG042-00020590

ALL DIMENSIONS FOR REFERENCE ONLY AND ARE IN INCHES [MILLIMETERS]

INSULATION TEST: 1500V TO GROUND FOR 60 SECONDS
"TOP" STAMPED ON FLANGE

CASE ASSEMBLY IS FREE BREATHING.
DIAL: WHITE CHARACTERS; BLACK BACKGROUND
POINTER: WHITE
LENS: TEMPERED GLASS
CASE: ALUMINUM, PAINTED ASA 70 LIGHT GRAY EPOXY
FLANGE: ALUMINUM
SUPPORT TUBE: BRASS
BEZEL: STAINLESS STEEL
GEAR RATIO = 4:1



ON FALLING LEVEL, RED CLOSERS ON BLK AT "MARK BEFORE MIN-MIN"

ON FURTHER FALLING LEVEL, YEL CLOSERS ON ORN AT "MIN-MIN"

SWITCH RATING:
10A @ 125, 250, 480 VAC
1/2A @ 125 VDC - NON INDUCTIVE
1/4A @ 250 VDC - NON INDUCTIVE

16 AWG - 6 COND SOW CABLE CONN ASSY 144" [3.7M] LG

LET	DATE	DRAWING CREATED	ALTERATION	C.N.
-	8-17-10			

QUALITROL
DIMENSIONS AND TOLERANCES IN ACCORDANCE WITH ASME Y14.5M-1994

PH. (585) 586-1515
FAX (585) 377-0220
1385 FAIRPORT ROAD
FAIRPORT, NY 14450
FORM 0-473 REV. F 04/06/06

TITLE:	6" LEVEL GAGE
MODEL NO.	LLG042-00020590