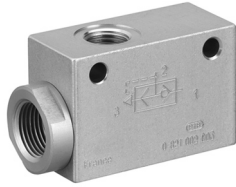


Flow and check valves → Quick exhaust valves

Quick exhaust valve

► Qn = 1000 - 3500 l/min ► internal thread / internal thread



00108484

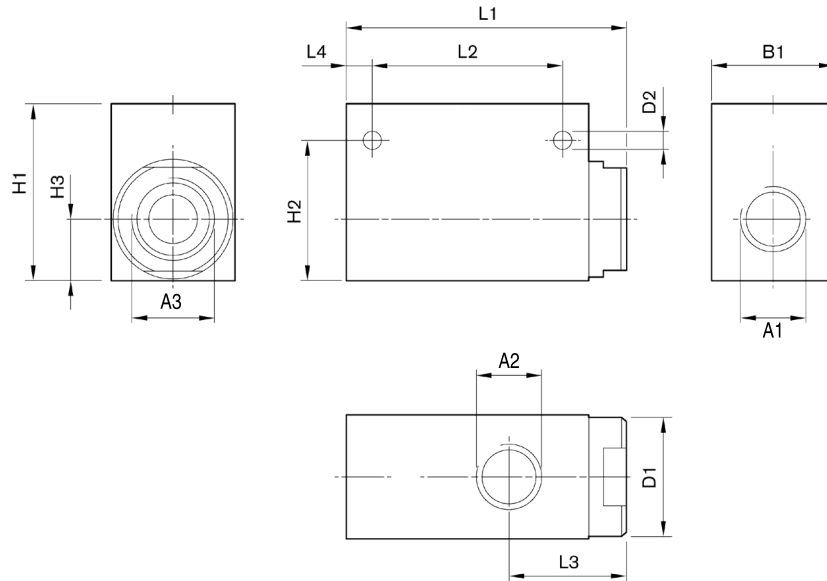
Version	Poppet valve
Working pressure min./max.	0.5 bar / 10 bar
Ambient temperature min./max.	+0°C / +80°C
Medium temperature	+0°C / +80°C
Medium	Compressed air

Materials:	
Housing	Aluminum
Seals	Acrylonitrile Butadiene Rubber

	Port 1	Port 2	Port 3 (Exhaust)	Qn 1►2	Qn 2►3	Weight	Part No.
				[l/min]	[l/min]	[kg]	
	G 1/4	G 1/4	G 3/8	1000	2050	0.11	0821002003
	G 3/8	G 3/8	G 3/8	2050	2050	0.12	0821002004
	G 1/2	G 1/2	G 3/4	3500	7000	0.3	0821002002

Port 2: internal thread
 Port 3 (Exhaust): internal thread
 Nominal flow Qn at 6 bar and Δp = 1 bar

Dimensions



00109123

Part No.	A1	A2	A3	B1	D1	D2	H1	H2	H3	L1	L2	L3	L4
0821002003	G 1/4	G 1/4	G 3/8	25	25	5.5	36	30.2	13.2	62	38	26	8.5
0821002004	G 3/8	G 3/8	G 3/8	25	25	5.5	42	30.2	13.2	62	38	26	8.5
0821002002	G 1/2	G 1/2	G 3/4	44	40	6	55	43	21	78.5	50	34.5	9