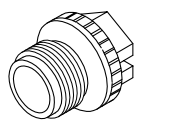
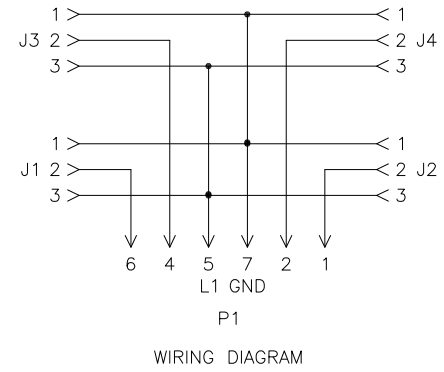
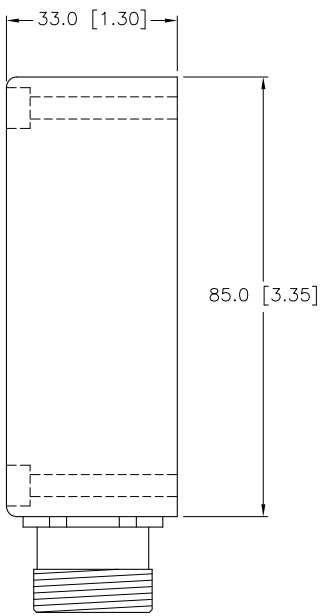
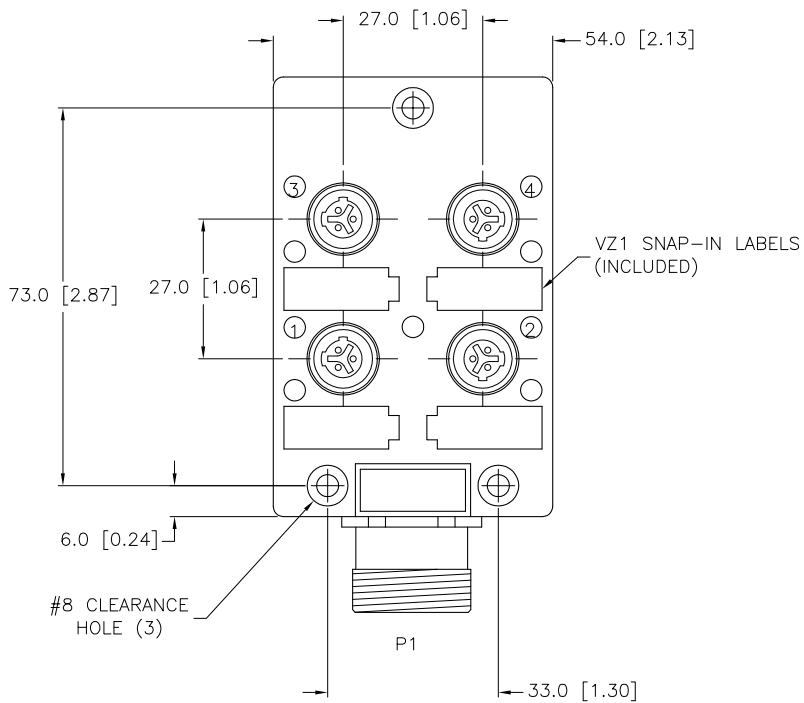


SPECIFICATIONS	
HOUSING MATERIAL/COLOR	NYLON/YELLOW
RECEPTACLE MATERIAL/PLATING	BRASS/NICKEL
CONTACT CARRIERS/COLOR	NYLON or PBT/BLACK (J1-J4), GRAY (P1)
CONTACT MATERIAL/PLATING	BRASS/GOLD
OPERATING VOLTAGE	250 V
OPERATING CURRENT	4.0 AMPS PER PORT, 7.0 AMPS TOTAL
PROTECTION CLASS to DIN 40050	NEMA 1,3,4,6P and IP 67 - ONLY WHEN ALL RECEPTACLES ARE COVERED WITH PLUGS OR CONNECTED
OPERATING TEMPERATURE	-30°C to +80°C (-22°F to +176°F)



SB-CC CLOSURE CAPS (2 INCLUDED)

SOURCE DRAWING - FOR REFERENCE ONLY

RELATED DOCUMENTS 1. 20101195 2. 3. 4.		3RD ANGLE PROJECTION 		THIS DRAWING IS PROPERTY OF TURCK INC. USE OF THIS DOCUMENT WITHOUT WRITTEN PERMISSION IS PROHIBITED.		TURCK INC High Technology Sensors and Automation Controls 3000 CAMPUS DRIVE MINNEAPOLIS, MN 55441 1-800-544-7769 (763) 553-7300 (763) 553-0708 fax turck.com	
MATERIAL SEE SPECIFICATIONS		DRFT RJP	DATE 12/28/95	DESCRIPTION VBKB 40-CS12			
FINISH SEE SPECIFICATIONS		DSGN	SCALE 1=1.5	UNIT OF MEASUREMENT MILLIMETER [INCH]		IDENTIFICATION NO. U0112-1	REV C
C UPDATE SOUCE DRAWING PER REDLINE, SEE ECO		RDS	02/01/10	29780		DO NOT SCALE THIS DRAWING	
REV	DESCRIPTION	BY	DATE	ECO NO.		FILE: U0112-1	SHEET 1 OF 1