

# Double solenoid valve Rp 3/8 - Rp 2 nominal diameters

DMV-D/11  
DMV-DLE/11

**DUNGS**<sup>®</sup>  
Combustion Controls

7.30



## Technical description

The DUNGS double solenoid valve DMV integrates two solenoid valves in one compact fitting.

- Automatic shut-off valves as per DIN EN 161 Class A Group 2
- Two A valves in one housing
- Double seat valves
- High flow rates
- Max. operating pressure up to 500 mbar (50 kPa)
- Fast closing
- Fast opening (DMV-D/11) or slow opening (DMV-DLE/11) with adjustable fast stroke for start gas volume
- Adjustable main volume
- DC solenoid
- Mountable closed position signal contact
- Threaded flange
- Compact, light-weight

## Application

Double solenoid valves are used where two single valve were mounted previously. In connection with DUNGS gas regulators and additional components, a wide variety of regulating tasks can be performed.

It does not contain any non-ferrous metals, suitable for gases of up to max. 0.1 vol.% H<sub>2</sub>S, dry. Suitable for gases of families 1, 2, 3 and other neutral gaseous media.

## Approvals

EC type test approval as per EC Gas Appliance Directive:

DMV...503-525/11 CE-0085 AN 2801

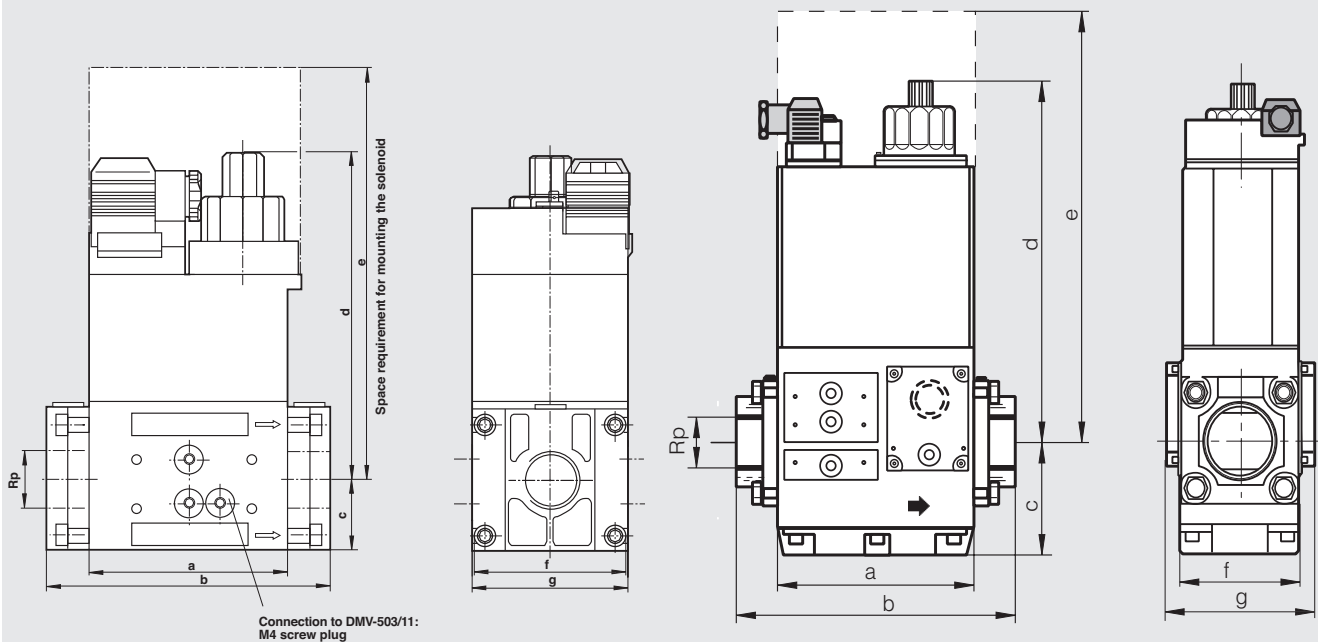
Other models available with approval for the North American market: U<sub>L</sub>, FM, CSA as well as approvals in other important gas consuming countries.

<b>DMV-D/11</b>	Two single-stage solenoid valves normally closed, fast opening, fast closing. Manual limitation of flowing gas volume by main volume setting (D) at valve 1 (V1). Main volume setting (D) of DMV-D 503/11 at valve 2 (V2).
<b>DMV-DLE/11</b>	Two single-stage solenoid valves normally closed, slow opening (L), fast closing. Opening time setting (E) with fast stroke section at valve 2 (V2). Manual limitation of flowing gas volume by main volume setting (D) at valve 1 (V1). Main volume setting (D) of DMV-D 503/11 at valve 2 (V2).

## Specifications

Nominal diameters Flange with pipe thread as per ISO 7-1	DMV 503 Rp 3/8,Rp 1/2 and their combinations	DMV 507 Rp 1/2,Rp 3/4,Rp 1	DMV 512, 520 Rp 1,Rp 1 1/4,Rp 1 1/2,Rp 2	DMV 525 Rp 2
Max. operating pressure	500 mbar (50 kPa)			
Solenoid valve V1	Automatic shut-off valve as per EN 161: Class A, Group 2			
Solenoid valve V2	Automatic shut-off valve as per EN 161: Class A, Group 2			
Closing time	< 1 s			
Opening time	DMV-D.../11: < 1 s DMV-DLE.../11: approx. 20 s at room temperature +20 °C and without fast stroke			
Fast stroke	Adjustable			
Main volume restrictor	DMV-D.../11 and DMV-DLE adjustable at V1, DMV-503/11 at V2			
Materials of gas conveying parts	Housing:	aluminium, steel, no non-ferrous metals		
	Seals at valve seat:	NBR basis, suitable for gases as per G260/I		
Ambient temperature	-15 °C to +60 °C			
Installation position	Solenoid vertically upright to lying horizontally			
Dirt trap	Sieve installed. To protect the complete gas train we recommend you to install an upstream gas filter (refer to Datasheet 11.02)			
Measuring gas connection	G 1/8 DIN ISO 228 on both sides upstream of V1, between V1 and V2, downstream of V2 at input and output flanges. Pressure switch can be mounted to input and output flanges. By mounting a pressure switch, measuring/ignition gas connection can be partly excluded.			
Ignition gas connection	G 1/2 ignition gas flange as per ISO 228, possible on both sides between V1 and V2			
Burner pressure monitor p <sub>Br</sub>	Connection downstream of V2 GW...A2 pressure switch can be mounted to the adapter laterally and to the flange			
Voltage/frequency	50 - 60 Hz, 220 V - 240 V AC, -15 % +10 %, further voltages on request Other preferred voltages: 50 - 60 Hz, 110 V - 120 V AC, 24 V - 28 V DC			
Rating / power consumption	at 230 V AC, +20 °C: refer to type overview			
Degree of protection	IP 54			
Switch-on duration	100 %			
Electrical connection	Plug connection as per DIN EN 175301-803, PG* 11 cable gland on request (* = heavy-gauge conduit thread)			
Radio interference	Degree of interference N			
Closed position signal contact	Type K01/1 (DIN tested), can be mounted to V1 and V2, DMV-503/11 only to V2			

## Dimensions for DMV-D/11 and DMV-DLE/11



Version	Order No.	p <sub>max.</sub> [bar]	Connection Rp	Dimensions [mm]							Rating [VA]	Solenoid No.	Switching rate h <sup>1)</sup>	Weight [kg]
				a	b	c	d	e	f	g				
DMV-D 503/11	222 326	0.5	Rp 3/8 - Rp 1/2	77	121	30	109	190	73	73	35	1011	1000	1.7
DMV-D 507/11	222 331	0.5	Rp 1/2 - Rp 1	93	141	35	134	232	73	73	45	1111	1000	2.1
DMV-D 512/11	222 336	0.5	Rp 1 - Rp 2	124	174	45	150	254	99	101	65	1211	1000	4.6
DMV-D 520/11	221 924	0.5	Rp 1 - Rp 2	124	201	45	190	333	99	101	90	1212	1000	5.6
DMV-D 525/11	223 367	0.5	Rp 2	162	243	88	255	400	103	123	110	1411	1000	12.1
DMV-DLE 503/11	222 327	0.5	Rp 3/8 - Rp 1/2	77	121	30	125	190	73	73	35	1011	100	1.8
DMV-DLE 507/11	222 332	0.5	Rp 1/2 - Rp 1	93	141	35	160	232	73	73	45	1111	100	2.2
DMV-DLE 512/11	222 337	0.5	Rp 1 - Rp 2	124	174	45	179	254	99	101	65	1211	100	4.7
DMV-DLE 520/11	222 599	0.5	Rp 1 - Rp 2	124	201	45	218	333	99	101	90	1212	100	5.7
DMV-DLE 525/11	223 373	0.5	Rp 2	162	243	88	275	400	103	123	110	1411	100	12.3

1) Switching rate of DMV-DLE 50.../11 depends on opening time setting

### Flange

### for DMV .../11

Rp 3/8	217 471	–	–	DMV 503/11
Rp 1/2	217 472	–	–	DMV 503/11
Rp 1/2	222 341	<b>NPT 1/2</b>	222 371	DMV 507/11
Rp 3/4	222 342	<b>NPT 3/4</b>	222 368	DMV 507/11
Rp 1	222 001	<b>NPT 1</b>	221 999	DMV 507/11
Rp 1	222 343	<b>NPT 1</b>	222 369	DMV 512/11 - DMV 520/11
Rp 1 1/4	222 344	<b>NPT 1 1/4</b>	222 370	DMV 512/11 - DMV 520/11
Rp 1 1/2	221 884	<b>NPT 1 1/2</b>	222 003	DMV 512/11 - DMV 520/11
Rp 2	221 926	<b>NPT 2</b>	221 997	DMV 512/11 - DMV 520/11
Rp 2	215 384	<b>NPT 2</b>	232 407	DMV 525/11

Plug connection 210 319  
as per  
DIN EN 175301-803


DMV 503/11 - DMV 525/11

**Important: Always order flange, plug connection and system accessories separately.**

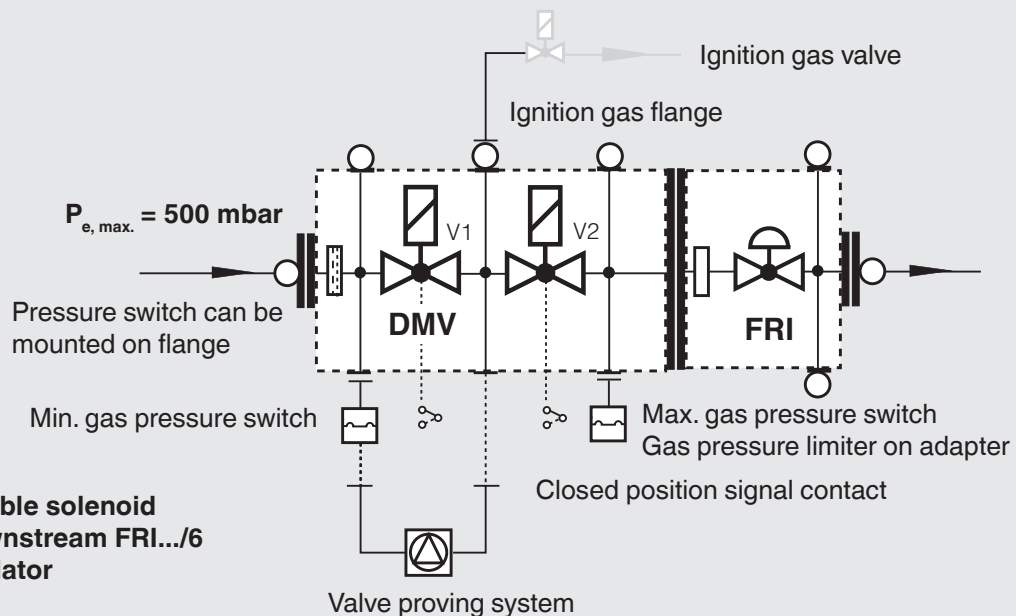
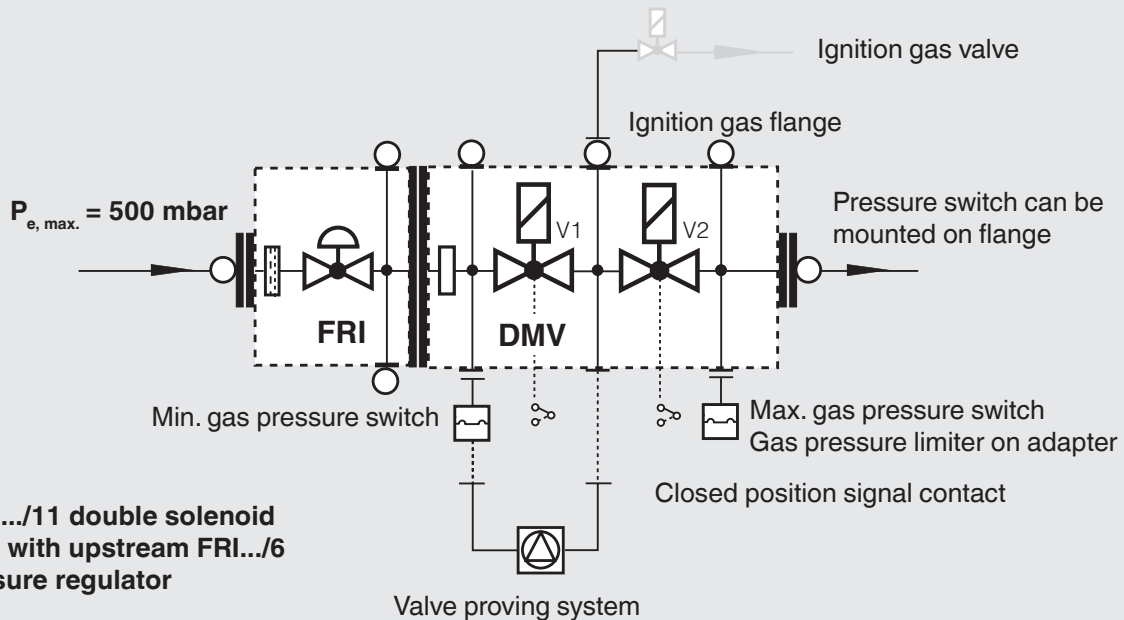
Equipment variants of DMV.../11 double solenoid valve, single-stage mode	DMV 503/11	DMV 507/11	DMV 512/11	DMV 520/11	DMV 525/11
DMV-D	◆	◆	◆	◆	◆
DMV-DLE	◆	◆	◆	◆	◆
Sieve	◆	◆	◆	◆	◆
Microfilter element, two-layer Refer to pressure losses	(◆)	(◆)	(◆)	(◆)	-
Gas pressure switch can be mounted:					
on flange	◆	◆	◆	◆	◆
downstream of sieve	◆	◆	◆	◆	◆
downstream of valve 2 to adapter	◆	◆	◆	◆	-
downstream of valve 2	-	-	-	-	◆
Valve V1, double-seat	◆	◆	◆	◆	◆
Valve V2, single-seat	◆	-	-	-	-
Valve V2, double-seat	-	◆	◆	◆	◆
Valves opening separately	◆	◆	◆	◆	◆
Flange	◆				
Rp 3/8	◆	-	-	-	-
Rp 1/2	◆	◆	-	-	-
Rp 3/4	-	◆	-	-	-
Rp 1	-	◆	◆	◆	-
Rp 1 1/4	-	-	◆	◆	-
Rp 1 1/2	-	-	◆	◆	-
Rp 2	-	-	◆	◆	◆
G 1/2 ignition gas flange can be mounted	◆	◆	◆	◆	◆
G 3/4 ignition gas flange can be mounted	-	-	-	-	◆

◆ = standard  
(◆) = on request  
-- = not possible

Flow losses in (m<sup>3</sup>/h) air when installing the microfilter element

 Pressure loss [mbar]	DMV 503/11	DMV 507/11	DMV 512/11	DMV 520/11	DMV 525/11
2	0,15	1,20	9,0	17,5	-
5	0,25	1,70	11,0	21,5	-
10	0,30	1,80	13,2	27,0	-
20	0,33	1,90	16,0	34,5	-
40	0,36	2,30	18,4	45,0	-
70	0,39	2,50	22,5	56,0	-

## Double solenoid valve modular system



### Gas pressure regulator, type FRI

The DMV-507-520/11 double solenoid valve is already prepared for connection with the gas pressure regulator, type FRI.../6 at the factory. The pressure regulator can be installed upstream or downstream of the double solenoid valve depending on the task.

### FRI.../6 mounting set to DMV.../11

**Order No. 219 967**

FRI 705 - 707/6 to DMV 507/11

**Order No. 219 968**

FRI 710-712/6 to DMV 512/11-520/11

### Information on system accessories

**VPS 504 valve proving system**

**Pressure regulator with integrated FRI gas filter**

**Pressure limiter ÜB, NB...A2 for multiple actuators**

**Compact pressure switch for multiple actuators GW...A5**

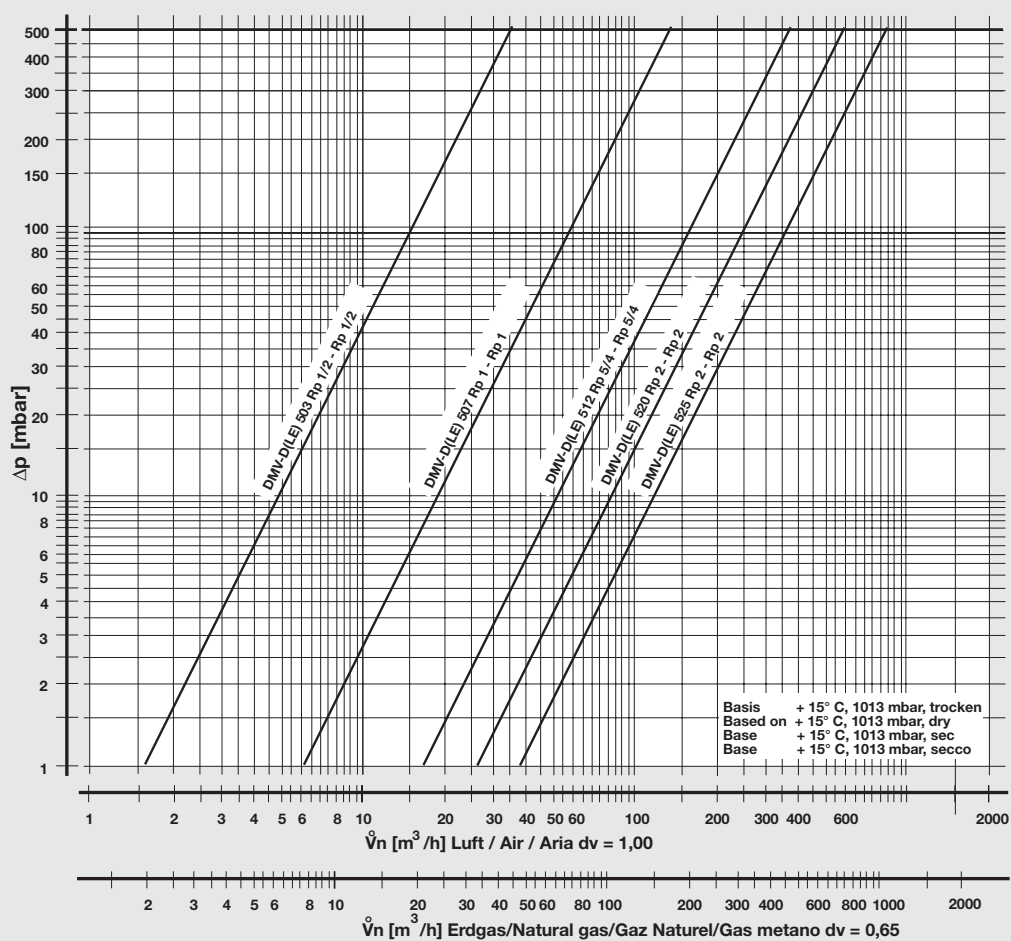
**K01/1 closed position signal contact to monitor closed position of valves**

**! If a system accessory is added, it may not be possible to mount further devices.**

Double solenoid valve  
Flow diagram  
Rp 3/8 - Rp 2  
nominal diameters

DMV-D/11  
DMV-DLE/11

**DUNGS®**  
Combustion Controls



f =

Dichte Luft  
Spec. weight air  
poids spécifique de l'air  
peso specifico aria

Dichte des verwendeten Gases  
Spec. weight of gas used  
poids spécifique du gaz utilisé  
peso specifico del gas utilizzato

Gas type	Density [kg/m <sup>3</sup> ]	$d_v$	f
Nat. gas	0.81	0.65	1.24
City gas	0.58	0.47	1.46
LPG	2.08	1.67	0.77
Air	1.24	1.00	1.00

$$\dot{V}_{\text{verwendetes Gas/gas used/ gaz utilizzato}} = \dot{V}_{\text{Luft/air/aria}} \times f$$

We reserve the right to make any changes in the interest of technical progress.