



Atex

Products

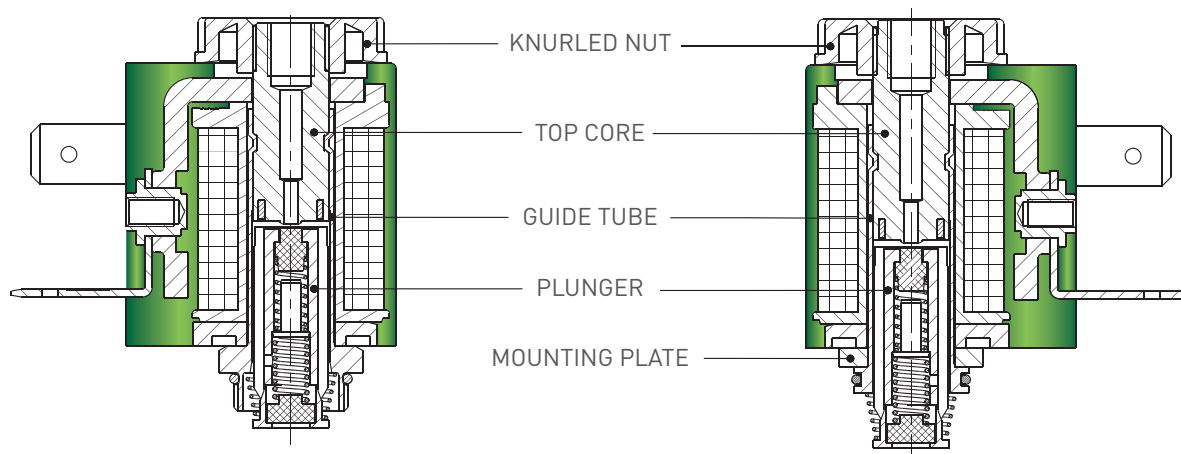
Amisco has completed its range of products developing different kind of coils for potentially explosive ambient (zone 1 and 2, 21 and 22 – group II - category 2 and 3), that fulfils the requirements of directive 2014/34/UE.

All coils feature:

- **heat resistant bobbin moulded with 30% glass filled thermoplastic polyamide or polybutylene terephthalate.**
- **class H wire 200°C according to IEC 60317-13**
- **built-in magnetic yoke made by low carbon iron**
- **encapsulation with high quality specially designed glass filled nylon**
- **for category 2 product, a special thermal-fuse is integrated in the coil for the protection of the system**

The coils can be equipped with the suitable plunger guide tube or even in combination with a complete pilot valve. In this case refer to 22mm 30mm pilot valve system catalogue.

The coil is fastened to the solenoid operator by means of a knurled nut for ease of change over without interrupting the pneumatic circuit.



3009 Ex m

2014/34/UE ATEX 

The type 3009M Ex m coil is supplied with different length of cable up to 10m.

The coil is certified by TÜV in thermal class T5 (with coil surface temperature max 100°C) or T4 (with coil surface temperature max 135°C).

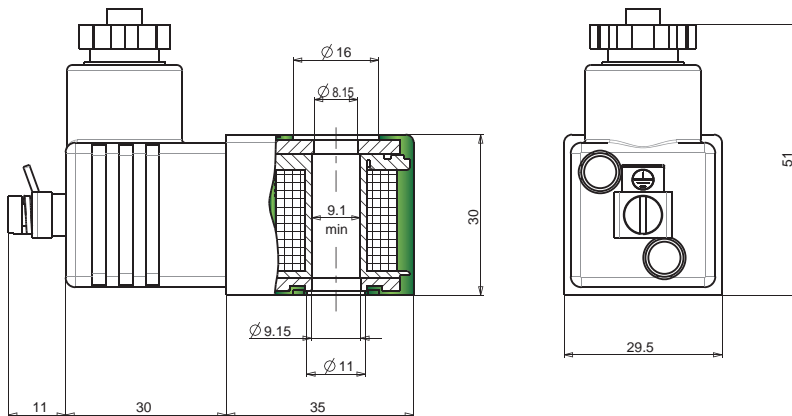
Ec-Type Examination Certificate number: TÜV IT 13 ATEX 030.


The protection is assured by a thermal fuse that, in case of damage, disconnects the coil from power.

The product is developed to be used in ambients with temperature range from -50°C to +50°C, and it has a power consumption of 3.8W for type T4 and 3W for type T5.

The coil fits all Amisco standard operators: 3/2, 2/2 way, NC or NO, threaded or flange types.

All main voltages are available. For other technical specifications see below and next page.



	Specific marking of explosion protection.
II	Group II - Electrical apparatus for places with a potentially explosive atmosphere, other than mines susceptible to fire dump.
2	Category 2 – see the board below.
G	Explosive gas atmospheres.
D	Explosive atmosphere in the presence of combustible dust.
Ex	The symbol Ex which indicates that the electrical apparatus corresponds to one of the protection type (EN 60079-0).
mb	Type of protection for gas – encapsulation “m”, level “mb”.
tb	Type of protection for explosive dust atmospheres – protection by enclosure.
IIC	Electrical equipment of Group II is subdivided according to the nature of the explosive gas atmospheres – IIC, a typical gas is hydrogen.
IIIC	Electrical equipment of Group III is subdivided according to the nature of the explosive dust atmospheres – IIIC, conductive dust.
Tx	Temperature Class: T4/T5 for Gas and T130°C/T95°C for Dust.
Gb	Equipment protection level [EPL] for explosive gas atmospheres.
Db	Equipment protection level [EPL] for explosive dust atmospheres.

Zone	Category	Description
1 and 2	2G	Equipment in this category is intended for use in areas in which explosive atmospheres caused by gases, vapours, mist or air/dust mixtures are likely to occur occasionally. The means of protection relating to equipment in this category ensure the requisite level of protection, even in the event of frequently occurring disturbances or equipment faults which normally have to be taken into account.
21 and 22	2D	

3009 Ex dm 2014/34/UE ATEX ⊠Ex

The coil is certified by TÜV in thermal class T5 (with coil surface temperature max 100°C) or T4 (with coil surface temperature max 135°C).

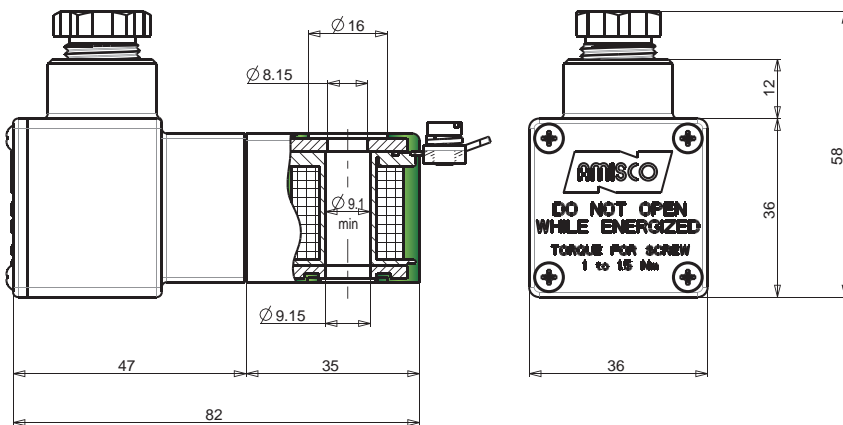
Ec-Type Examination Certificate number: TÜV IT 13 ATEX 040.

The protection is assured by a thermal fuse that, in case of damage, disconnects the coil from power.

The product is developed to be used in ambients with temperature range from -50°C to +50°C, and it has a power consumption of 3.8W for type T4 and 3W for type T5.

The coil fits all Amisco standard operators: 3/2, 2/2 way, NC or NO, threaded or flange types.

All main voltages are available. For other technical specifications see below and next page.



⊠Ex	Specific marking of explosion protection.
II	Group II - Electrical apparatus for places with a potentially explosive atmosphere, other than mines susceptible to fire dump.
2	Category 2 – see the board below.
G	Explosive gas atmospheres.
D	Explosive atmosphere in the presence of combustible dust.
Ex	The symbol Ex which indicates that the electrical apparatus corresponds to one of the protection type (EN 60079-0).
d	Type of protection for gas – enclosure “d”.
mb	Type of protection for gas – encapsulation “m”, level “mb”.
tb	Type of protection for explosive dust atmospheres – protection by enclosure.
IIC	Electrical equipment of Group II is subdivided according to the nature of the explosive gas atmospheres – IIC, a typical gas is hydrogen.
IIIC	Electrical equipment of Group III is subdivided according to the nature of the explosive dust atmospheres – IIIC, conductive dust.
Tx	Temperature Class: T4/T5 for Gas and T130°C/T95°C for Dust.
Gb	Equipment protection level [EPL] for explosive gas atmospheres.
Db	Equipment protection level [EPL] for explosive dust atmospheres.

Zone	Category	Description
1 and 2	2G	Equipment in this category is intended for use in areas in which explosive atmospheres caused by gases, vapours, mist or air/dust mixtures are likely to occur occasionally. The means of protection relating to equipment in this category ensure the requisite level of protection, even in the event of frequently occurring disturbances or equipment faults which normally have to be taken into account.
21 and 22	2D	

SOLENOID SYSTEM

Coil EVI 3009 EXM & 3009 EXDM T5

Electrical terminations	Part Number	Characteristics	DC		AC (50 Hz)	AC (60 Hz)
I12G Ex mb IIC T5 Gb I12D Ex tb IIC T5 Db	3009M...	Rated power DC	W	3		
		Inrush power AC	VA		4,8	4
I12G Ex dmb IIC T5 Gb I12D Ex tb IIC T5 Db	30XDM...	Rated power AC	VA		3,2	2,7
		Coil temperature rise @ 50°C ambient	°C	35	15	10
		Copper temperature rise @ 50°C ambient	°C	40		30

Coil EVI 3009 EXM & 3009 EXDM T4

Electrical terminations	Part Number	Characteristics	DC		AC (50 Hz)	AC (60 Hz)
I12G Ex mb IIC T4 Gb I12D Ex tb IIC T4 Db	3009M...	Rated power DC	W		3,8	
		Inrush power AC	VA			
I12G Ex dmb IIC T4 Gb I12D Ex tb IIC T4 Db	30XDM...	Rated power AC	VA			
		Coil temperature rise @ 50°C ambient	°C		50	
		Copper temperature rise @ 50°C ambient	°C		55	

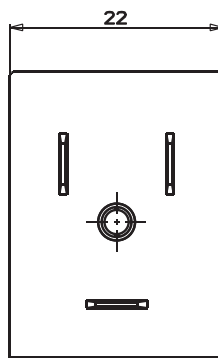
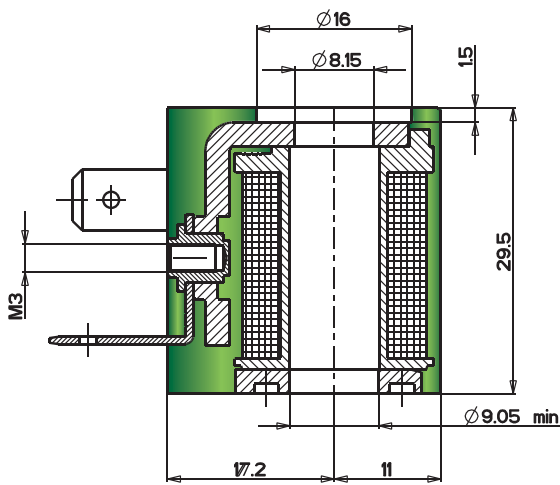
Operator S9

Operator	Part Number	Characteristics					
3/2 NC Flange 3/2 NC Thread	09L.. 09F..	Inlet orifice Ø	mm	1,2	1,5	1,5	1,5
		Exhaust orifice	mm	1,45	1,45	1,45	1,45
		Working pressure	bar	0÷10	0÷10	0÷10	0÷10
2/2 NC Flange 2/2 NC Thread	09L.. 09F..	Inlet orifice Ø	mm	1,2	1,5	1,5	1,5
		Working pressure	bar	0÷10	0÷10	0÷10	0÷10
3/2 NO Flange 3/2 NO Thread (Top inlet)	09L.. 09F..	Inlet orifice Ø	mm	1,45	1,45	1,45	1,45
		Working pressure	bar	0÷7	0÷10	0÷10	0÷10
3/2 NO Thread (bottom inlet)	09F..	Inlet orifice Ø	mm	1,2			
		Working pressure	bar	0÷10			

EVI 7

Our standard EVI 7 can be supplied under Atex certification for Zone 2 and 22 (Directive 99/92/CE).
The available internal hole is $\varnothing 9$.
For different internal diameter, please contact Amisco.

The product is developed to be used in ambient with temperature range from -5°C to $+50^{\circ}\text{C}$, and it has a power consumption up to 6.5W for DC version and 8.5VA for AC version.
The coil fits all Amisco standard operators: 3/2, 2/2 way, NC or NO, threaded or flange types.
All main voltages are available. For other technical specifications see below and next page.



CE	Marking for Product included in EC product Directives.
Ex	Specific marking of explosion protection.
II	Group II - Electrical apparatus for places with a potentially explosive atmosphere, other than mines susceptible to fire dump.
3	Category 3.
G	Explosive gas atmospheres.
D	Explosive atmosphere in the presence of combustible dust.
Ex	The symbol Ex indicates that the electrical apparatus corresponds to one of the protection type reported in EN 60079-0.
nA	Type of protection for explosive gas atmospheres - non sparking.
tc	Type of protection for explosive dust atmospheres – protection by enclosure.
IIC	Electrical equipment of Group II is subdivided according to the nature of the explosive gas atmospheres – IIC, a typical gas is hydrogen.
IIIC	Electrical equipment of Group III is subdivided according to the nature of the explosive dust atmospheres – IIIC, conductive dust.
Tx	Temperature class.
Gc	Equipment protection level [EPL] for explosive gas atmospheres.
Dc	Equipment protection level [EPL] for explosive dust atmospheres.
X	Specific conditions of use (see “Assembly conditions”)

SOLENOID SYSTEM

for 2/2 and 3/2 way Normally Closed and Normally Open valves

Coil EVI 7/9 Ex T5 (100°C)

Electrical terminations	Part Number	Characteristics	DC			AC (50 Hz)		AC (60 Hz)	
Terminals AMP 6,3x0,8 width 11mm	0709S... AX	Rated power DC	W	3	4,2				
		Inrush power AC	VA				7,5		6,5
		Rated power AC	VA				5		4,2
		Coil temperature rise @ 50°C ambient	°C	35	45		45		35
		Copper temperature rise @ 50°C ambient	°C	40	50		55		45

Coil EVI 7/9 Ex T4 (135°C)

Electrical terminations	Part Number	Characteristics	DC			AC (50 Hz)		AC (60 Hz)	
Terminals AMP 6,3x0,8 width 11mm	0709S... AX	Rated power DC	W			6,5			
		Inrush power AC	VA						
		Rated power AC	VA						
		Coil temperature rise @ 50°C ambient	°C			70			
		Copper temperature rise @ 50°C ambient	°C			80			

Coil EVI 7/9 Ex T3 (200°C)

Electrical terminations	Part Number	Characteristics	DC			AC (50 Hz)		AC (60 Hz)	
Terminals AMP 6,3x0,8 width 11mm	0709S... AX	Rated power DC	W						
		Inrush power AC	VA				12,5		10,5
		Rated power AC	VA				8,5		7
		Coil temperature rise @ 50°C ambient	°C				85		70
		Copper temperature rise @ 50°C ambient	°C				95		80

Operator S9

Operator	Part Number	Characteristics	DC			AC (50 Hz)		AC (60 Hz)		
3/2 NC Flange 3/2 NC Thread	09L.. 09F..	Inlet orifice Ø	mm	1,2	1,4	1,5	1,2	1,5	1,2	1,5
		Exhaust orifice	mm	1,45	1,45	1,45	1,45	1,45	1,45	1,45
		Working pressure	bar	0÷10	0÷10	0÷10	0÷10	0÷10	0÷10	0÷10
2/2 NC Flange 2/2 NC Thread	09L.. 09F..	Inlet orifice Ø	mm	1,2	1,4	1,5	1,2	1,5	1,2	1,5
		Working pressure	bar	0÷10	0÷10	0÷10	0÷10	0÷10	0÷10	0÷10
3/2 NO Flange 3/2 NO Thread (Top inlet)	09L.. 09F..	Inlet orifice Ø	mm	1,45	1,45	1,45	1,45	1,45	1,45	1,45
		Working pressure	bar	0÷7	0÷7	0÷10	0÷7	0÷10	0÷7	0÷10
3/2 NO Thread (bottom inlet)	09F..	Inlet orifice Ø	mm	1,2						
		Working pressure	bar	0÷10						

Other electrical connection are available – contact Amisco for more details.

EVI 30

Our standard EVI 30 can be supplied under Atex certification for Zone 2 and 22 (Directive 99/92/CE).

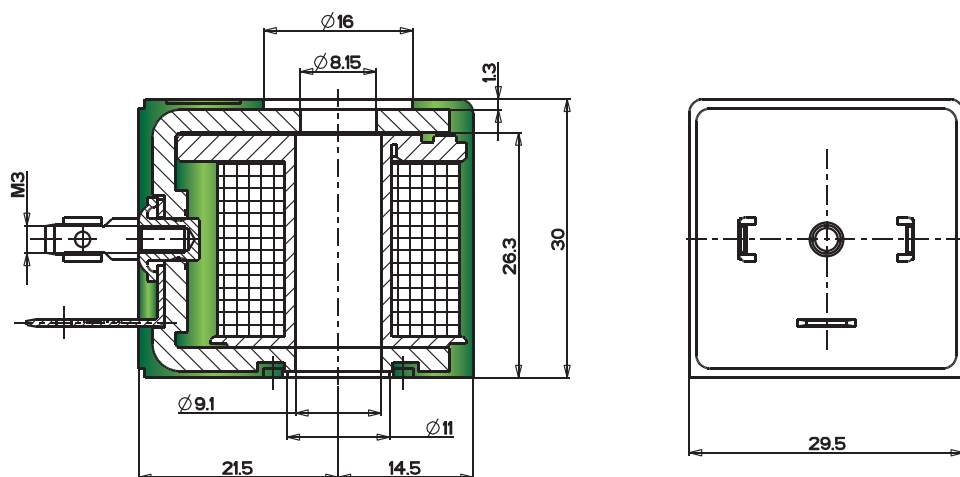
The available internal hole is $\varnothing 9$.

For different internal diameter, please contact Amisco.

The product is developed to be used in ambient with temperature range from -5°C to $+50^{\circ}\text{C}$, and it has a power consumption up to 4.5W for DC version and 5VA for AC version.

The coil fits all Amisco standard operators: 3/2, 2/2 way, NC or NO, threaded or flange types.

All main voltages are available. For other technical specifications see below and next page.



CE	Marking for Product included in EC product Directives.
Ex	Specific marking of explosion protection.
II	Group II - Electrical apparatus for places with a potentially explosive atmosphere, other than mines susceptible to fire dump.
3	Category 3.
G	Explosive gas atmospheres.
D	Explosive atmosphere in the presence of combustible dust.
Ex	The symbol Ex indicates that the electrical apparatus corresponds to one of the protection type reported in EN 60079-0.
nA	Type of protection for explosive gas atmospheres - non sparking.
tc	Type of protection for explosive dust atmospheres - protection by enclosure.
IIC	Electrical equipment of Group II is subdivided according to the nature of the explosive gas atmospheres - IIC, a typical gas is hydrogen.
IIIC	Electrical equipment of Group III is subdivided according to the nature of the explosive dust atmospheres - IIIC, conductive dust.
Tx	Temperature class.
Gc	Equipment protection level [EPL] for explosive gas atmospheres.
Dc	Equipment protection level [EPL] for explosive dust atmospheres.
X	Specific conditions of use (see "Assembly conditions")

SOLENOID SYSTEM

for 2/2 and 3/2 way Normally Closed and Normally Open valves

Coil EVI 30/9 Ex T6 (85°C)

Electrical terminations	Part Number	Characteristics	DC	AC (50 Hz)	AC (60 Hz)	
Terminals DIN 43650 A	3009D...AX	Rated power DC	W	4,5		
		Inrush power AC	VA		9	7,5
		Rated power AC	VA		5	4,2
		Coil temperature rise @ 50°C ambient	°C	35	35	30
		Copper temperature rise @ 50°C ambient	°C	50	45	35

Coil EVI 30/9 Ex T5 (100°C)

Electrical terminations	Part Number	Characteristics	DC	AC (50 Hz)	AC (60 Hz)	
Terminals DIN 43650 A	3009D...AX	Rated power DC	W	2		
		Inrush power AC	VA		5,5	4,5
		Rated power AC	VA		3	2,5
		Coil temperature rise @ 50°C ambient	°C	20	20	15
		Copper temperature rise @ 50°C ambient	°C	25	25	20

Operator S9

Operator	Part Number	Characteristics							
3/2 NC Flange 3/2 NC Thread	09L.. 09F..	Inlet orifice Ø	mm	1,2	1,5	1,2	1,5	1,2	1,5
		Exhaust orifice	mm	1,45	1,45	1,45	1,45	1,45	1,45
		Working pressure	bar	0÷10	0÷10	0÷10	0÷10	0÷10	0÷10
2/2 NC Flange 2/2 NC Thread	09L.. 09F..	Inlet orifice Ø	mm	1,2	1,5	1,2	1,5	1,2	1,5
		Working pressure	bar	0÷10	0÷10	0÷10	0÷10	0÷10	0÷10
3/2 NO Flange 3/2 NO Thread (Top inlet)	09L.. 09F..	Inlet orifice Ø	mm	1,45	1,45	1,45	1,45	1,45	1,45
		Working pressure	bar	0÷7	0÷10	0÷7	0÷10	0÷7	0÷10
3/2 NO Thread (bottom inlet)	09F..	Inlet orifice Ø	mm	1,2					
		Working pressure	bar	0÷10					

Other electrical connection are available – contact Amisco for more details.



w w w . a m i s c o . i t



AMISCO S.p.A.
Via Piaggio, 70
20037 Paderno Dugnano (Mi)
Italy

Tel. +39 02.99.00.181
Fax +39 02.99.00.18.60
amisco@amisco.it