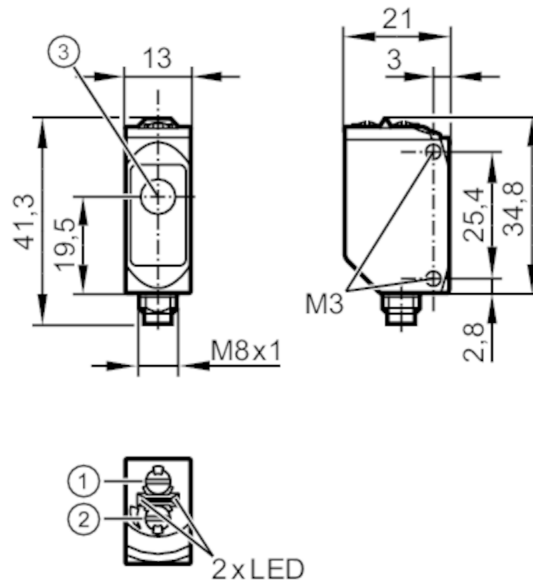


# O6E400



## Through-beam sensor receiver

O6E-FPKG/AS/4P



- 1: output function switch
- 2: potentiometer sensitivity
- 3: Light incidence



### Product characteristics

|               |             |
|---------------|-------------|
| Type of light | red light   |
| Housing       | rectangular |

### Application

|                    |   |
|--------------------|---|
| Function principle | Through-beam sensor                         |
| Application        | suited for use in the machine tool industry |

### Electrical data

|                             |      |             |
|-----------------------------|------|-------------|
| Operating voltage           | [V]  | 10...30 DC  |
| Current consumption         | [mA] | 7; ((24 V)) |
| Protection class            |      | III         |
| Reverse polarity protection |      | yes         |
| Type of light               |      | red light   |
| Wave length                 | [nm] | 633         |

### Outputs


|   |      |                                     |
|---|------|-------------------------------------|
| Electrical design                               |      | PNP                                 |
| Output function                                 |      | light-on/dark-on mode; (selectable) |
| Max. voltage drop switching output DC           | [V]  | 2.5                                 |
| Permanent current rating of switching output DC | [mA] | 100                                 |
| Switching frequency DC                          | [Hz] | 1000                                |
| Short-circuit protection                        |      | yes                                 |
| Type of short-circuit protection                |      | yes (non-latching)                  |

# O6E400



## Through-beam sensor receiver

O6E-FPKG/AS/4P

| Monitoring range  |  |                     |
|---|--|---------------------|
| Transmitter / receiver  |  | receiver            |
| Range [m]   |  | < 10                |
| Range adjustable  |  | yes                 |
| Operating conditions  |  |                     |
| Ambient temperature [°C]  |  | -25...60            |
| Protection  |  | IP 65; IP 67; IP 68 |
| Tests / approvals   |  |                     |
| EMC   | EN 60947-5-2   |                     |
| MTTF [years]  |  | 970                 |
| UL approval   | UL approval number   | E010                |
| Mechanical data   |  |                     |
| Weight [g]  |  | 34.3                |
| Housing   |  | rectangular         |
| Dimensions [mm]   |  | 34.8 x 13 x 21      |
| Material  | housing: stainless steel (1.4404 / 316L); plastics: PPSU; sealing: FKM |                     |
| Lens material   |  | PMMA                |
| Lens alignment  |  | Side sensing        |
| Displays / operating elements   |  |                     |
| Display   | Switching status   | 1 x LED, yellow     |
|   | Power  | 1 x LED, green      |
| Remarks   |  |                     |
| Remarks   | cULus - Class 2 source required  |                     |
| Pack quantity   | 1 pcs.   |                     |
| Electrical connection   |  |                     |
| Connector: 1 x M8; coding: A  |  |                     |
|  |  |                     |

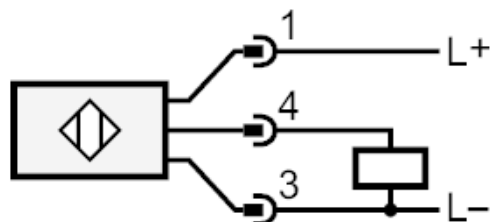
# O6E400



## Through-beam sensor receiver

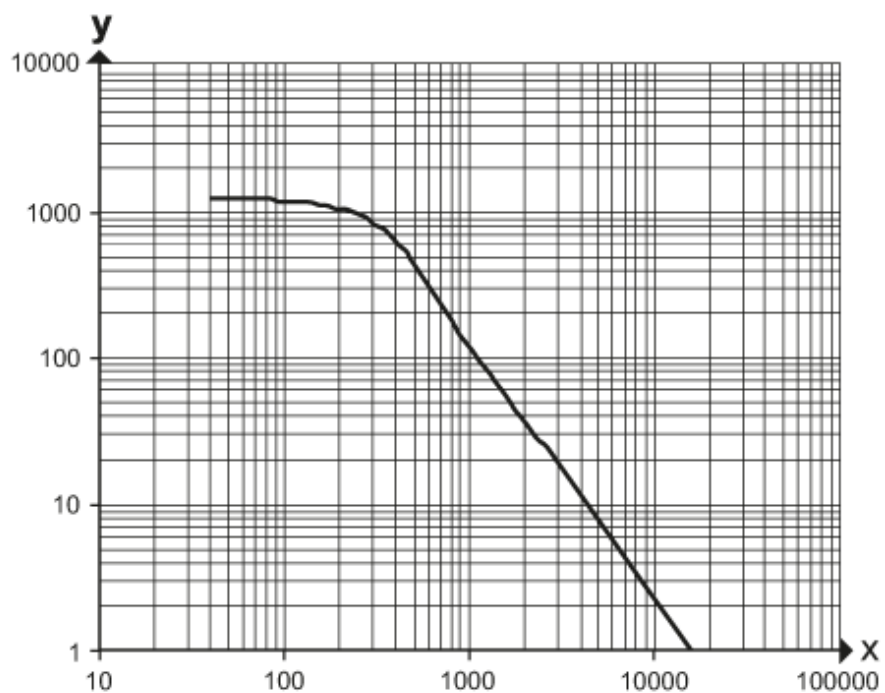
O6E-FPKG/AS/4P

### Connection



### Diagrams and graphs

excess gain graph



x: distance [mm]

y: excess gain factor