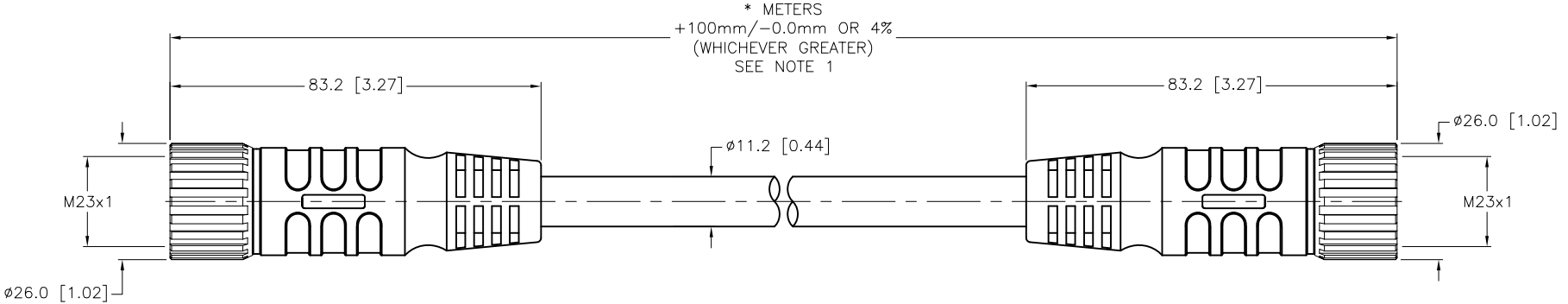


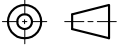
SPECIFICATIONS	
CONTACT CARRIER MATERIAL	NYLON or PBT
MOLDED HEAD MATERIAL/COLOR	TPU/BLACK
CONTACT MATERIAL/PLATING	BRASS/GOLD
COUPLING NUT MATERIAL/PLATING	BRASS/NICKEL
RATED CURRENT [A]	9.0 A (PINS 6,12,19), 2.0 A (ALL OTHERS)
RATED VOLTAGE [V]	150 V
OUTER JACKET MATERIAL/COLOR	TPE/YELLOW
CONDUCTOR INSULATION MATERIAL	POLYESTER ELASTOMER
CONDUCTORS	3x18 AWG, 18x22 AWG
TEMPERATURE RATING	-40°C to +105°C (-40°F to +221°F)
PROTECTION CLASS	IEC IP67



SOURCE DRAWING - FOR REFERENCE ONLY

NOTES:

- "\*" INDICATES CABLE LENGTH IN METERS. CONTACT TURCK TO ORDER SPECIFIC LENGTHS.
- "/S101" DESIGNATES FLEXLIFE-20 AND CTRACK CABLE
- UNUSED CONDUCTORS TRIMMED BACK TO CABLE JACKET ON BOTH ENDS.

RELATED DOCUMENTS	3RD ANGLE PROJECTION	THIS DRAWING IS CONFIDENTIAL AND THE PROPERTY OF TURCK INC. USE OF THIS DOCUMENT WITHOUT WRITTEN PERMISSION IS PROHIBITED.		<b>TURCK INC</b> High Technology Sensors and Automation Controls 3000 CAMPUS DRIVE MINNEAPOLIS, MN 55441 1-800-544-7769 (763) 553-7300 (763) 553-0708 fax turck.com	
1.		DRFT	RWC	DATE	11/10/06
2.		APVD		SCALE	1=1.5
3.	ALL DIMENSIONS DISPLAYED ON THIS DRAWING ARE FOR REFERENCE ONLY	UNIT OF MEASUREMENT		DESCRIPTION	
4.	CONTACT TURCK FOR MORE INFORMATION	MILLIMETER [ INCH ]		CSM CKM 19-19-*/S101	
MATERIAL	SEE SPECIFICATIONS	DO NOT SCALE THIS DRAWING		IDENTIFICATION NO.	REV
FINISH	SEE SPECIFICATIONS	FILE: 777006571		H	
H UPDATE SOURCE DRAWING - ADD CTRACK TO /S101 NOTE		BY		ECO NO.	
REV DESCRIPTION		DATE		SHEET 1 OF 1	