

Swing clamp-screw-in version

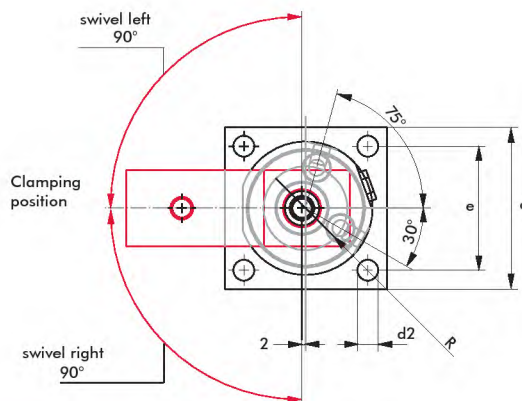
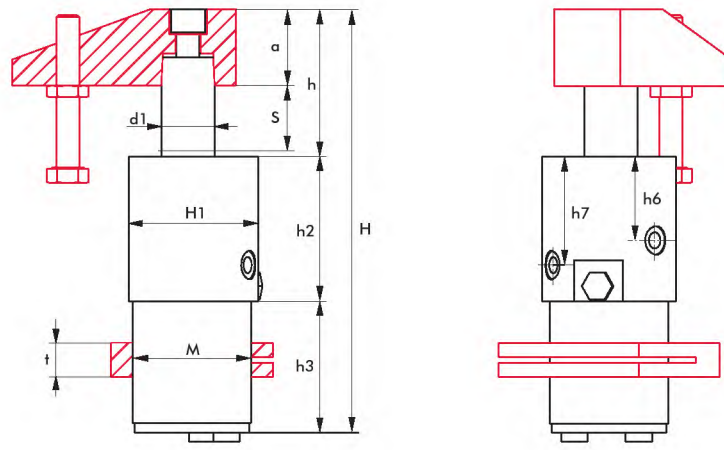
- Double acting version
- More accessories under accessories standard

Technical note:

- Clamping must be accomplished in the vertical stroke range.
- The clamping arm cannot be impeded during swivel.
- The cycle time for a clamping or a unclamping stroke should not fall under 1,5 s. If necessary, the oil flow must be reduced. Observe the max. permitted oil flow.



model no.		operating pressure		Clamping force	volume flow	stroke complete	stroke clamping	Oil consumption		Connection	Weight
swivel right	swivel left	min. [bar]	max. [bar]	at 100 bar [kN]	max. [l/min]	stroke [mm]	stroke [mm]	clamping [cm³]	unclamping [cm³]	G	[kg]
726D25221-2	727D25221-2	100	250	1,9	0,26	27	10	6,4	13,3	4x G1/8	1,85
726D32321-2	727D32321-2	100	250	3,4	0,53	31	11	13,2	24,9	4x G1/8	2,6
726D40341-2	727D40341-2	100	250	5,0	0,87	34	12	21,8	42,7	4x G1/8	3,5



Notes on assembling the clamping arm
 When loosening and tightening the clamping arm screw the clamping arm must fixed to prevent damage to the piston guide.
 See table for max. torque for arm screw.

model no.		a	c	d1	d2	e	f	H	H1	h	h2	h3	h6	h7	M	R	t	max. torque
swivel right	swivel left	[mm]																[Nm]
726D25221-2	727D25221-2	25	65	18	9	50	23	173	53	55	61	57	35,5	44,5	48x1,5	29	12	30
726D32321-2	727D32321-2	30	70	22	9	56	27	199	61,5	64	70	65	46	57	52x1,5	34	15	45
726D40341-2	727D40341-2	40	85	28	11	65	31	222	68	77	76	69	44	57	62x1,5	44	18	80