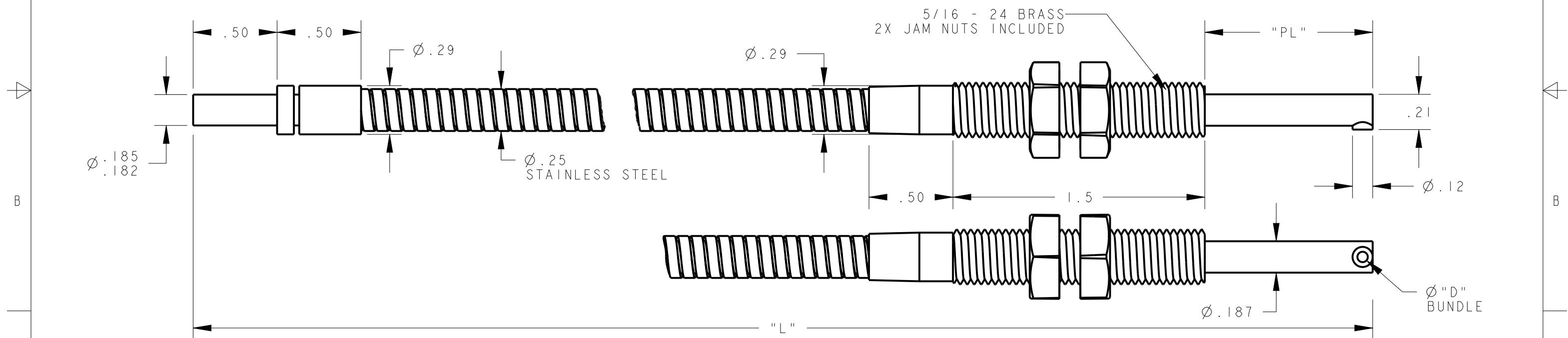


8	7	6	5		
MODEL NO.	"TL"	"PL"	"L"	"D"	P/N
ITETA1.51S	1.5	1.00	12	.09	22881
ITETA1.52S	1.5	1.00	24	.09	22834
ITETA.759S	1.5	1.00	108	.046	00000
ITETA1.53SM1.5	1.5	1.50	36	.09	22724
ITETA.53S	1.5	1.00	36	.032	22700
ITETA15S	1.5	1.00	60	.06	22395
ITETA1.51.5S	1.5	1.00	18	.09	22343
ITETA1.53SM.5.	1.5	.50	36	.09	22067
ITETA.753S	1.5	1.00	36	.046	21815
ITETA13S	1.5	1.00	36	.06	21745
ITETA1.56S	1.5	1.00	72	.09	21517
ITETA1.53S	1.5	1.00	36	.09	21495

4	3	2	1		
MODEL NO.	"TL"	"PL"	"L"	"D"	P/N
ITETA1.53SMSTMPL	.75	2.25	36	.09	23162
ITETA1.53SM600	1.5	1.00	36	.09	59266
ITETA1.57S	1.5	1.00	84	.09	23010

NOTES:

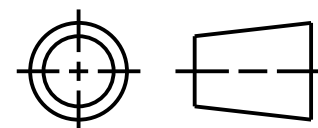
- 'M600' SUFFIX INDICATES THAT FIBERS ARE POTTED ON ANGLED END WITH EPOXY THAT OPERATES IN MAX. TEMPERATURE OF 600°F.



- NOTES:
- ALL DIMENSIONS ARE MILLIMETERS [INCHES] UNLESS OTHERWISE NOTED.
 - REFER TO "www.bannerengineering.com" FOR ADDITIONAL DATA AND SPECIFICATIONS.

This drawing is the property of BANNER ENGINEERING CORP. Any use or reproduction, in any form, without prior written permission of Banner is prohibited. © 2015 Banner Engineering Corp.

THIRD ANGLE PROJECTION



		BANNER ENGINEERING CORP.	
		www.bannerengineering.com	
TITLE			
ITETA1.5 SERIES SS TERMINATED			
SIZE	DRAWING NO.	REV.	
B	161913	A	
SCALE	SHEET		CREO
7:4	1 OF 2		

8	7	6	5	4	3	2	1
MODEL NO.	"TL"	"PL"	"L"	"D"	P/N		
ITETA1.530SM600	1.5	1.00	360	.090	00000		
ITETA1.53SMT2MPL	2.0	1.75	36	.090	23984		
ITETA1.53SM.75	1.5	.75	36	.090	00000		
ITETA11S	1.5	1.00	12	.062	24127		
ITETA.756S	1.5	1.00	72	.046	24408		
ITETA1.53SM3	1.5	3.0	36	.062	00000		
ITETA18S	1.5	1.00	96	.062	24665		
ITETA1.59S	1.5	1.00	108	.090	83022		
ITETA13SM600	1.5	1.00	36	.062	24747		
ITETA110S	1.5	1.00	120	.062	00000		
ITETA16SM600	1.5	1.00	72	.062	24834		
ITETA1.5SM600	1.5	1.00	6	.062	00000		
ITETA.751S	1.5	1.00	12	.046	00000		
ITETA.758S	1.5	1.00	96	.046	64461		
ITETA.753SM600	1.5	1.00	36	.046	78748		
ITETA.755SM600	1.5	1.00	60	.046	68604		
ITETA1.510S	1.5	1.00	120	.090	71188		
ITETA.754S	1.5	1.00	48	.046	72305		
ITETA1.58.5S	1.5	1.00	102	.090	75897		
ITETA.753SM.5	1.5	.50	36	.046	00000		
ITETA1.53SM5	1.5	5.0	36	.09	00000		
ITETA1.54SM.25	1.5	.25	48	.09	81396		
ITETA1.53SMT2	2.0	1.00	36	.09	00000		
ITETA1.5S	1.5	1.00	6	.06	00000		
ITETA12S	1.5	1.00	24	.06	00000		
ITETA1.55S	1.5	1.00	60	.09	62294		
ITETA16S	1.5	1.00	72	.06	24425		

4	3	2	1
MODEL NO.	"TL"	"PL"	P/N
ITETA14S	1.5	1.00	23882
ITETA1.56SM600	1.5	1.00	23658
ITETA1.54S	1.5	1.00	23626
ITETA1.515S	1.5	1.00	70794
ITETA.755S	1.5	1.00	23410
ITETA.753SMT.5	.50	1.00	23246

NOTES:

1. 'M600' SUFFIX INDICATES THAT FIBERS ARE POTTED ON ANGLED END WITH EPOXY THAT OPERATES IN MAX. TEMPERATURE OF 600°F.

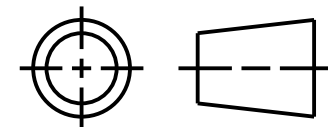
NOTES:
 1. ALL DIMENSIONS ARE MILLIMETERS [INCHES] UNLESS OTHERWISE NOTED.
 2. REFER TO "www.bannerengineering.com" FOR ADDITIONAL DATA AND SPECIFICATIONS.

This drawing is the property of BANNER ENGINEERING CORP. Any use or reproduction, in any form, without prior written permission of Banner is prohibited.
 © 2015 Banner Engineering Corp.

BANNER ENGINEERING CORP.
 www.bannerengineering.com

TITLE
ITETA1.5 SERIES SS TERMINATED

THIRD ANGLE PROJECTION



SIZE B DRAWING NO. **161913** REV. **A**
 SCALE 7:4 SHEET 2 OF 2